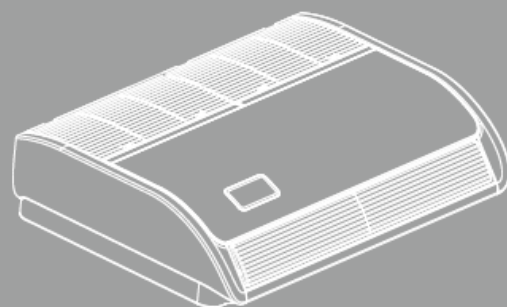
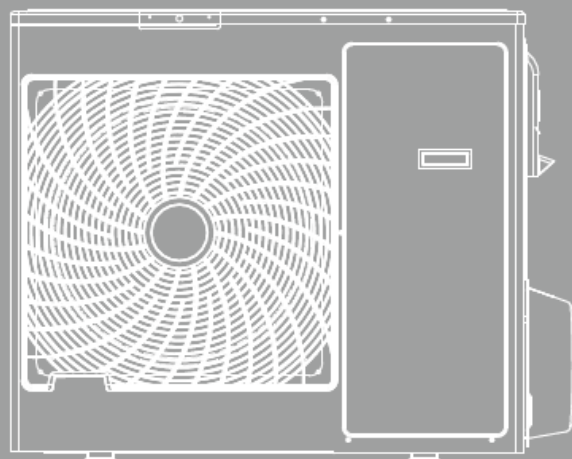
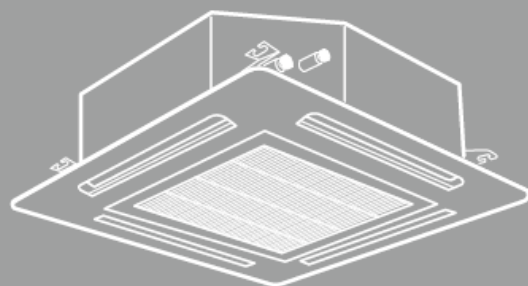




R410a  
Refrigerant

# TECHNICAL & SERVICE MANUAL V 1.0

## —DC-INVERTER AIR CONDITIONERS



## **Models**

**Heat pump type**

**< Indoor Units >**

### **Cassette**

(CM-C18 I) ACT-18UR4SAC5

(CM-C24 I) AUC-24UR4SJC5

(CM-C36 I) AUC-36UR4SKC5

(CM-C48 I) AUC-48UR4SKC5

(CM-C48 I) AUC-60UR4SKC5



**AIR CONDITIONING**

# SAFETY SUMMARY

## IMPORTANT NOTICE

- We pursue a policy of continuing improvement in design and performance of products. The right is therefore reserved to vary specifications without notice.
- We cannot anticipate every possible circumstance that might involve a potential hazard.
- This air conditioner is designed for standard air conditioning only. Do not use this air conditioner for other purposes such as drying clothes, refrigerating foods or for any other cooling or heating process. Do not let the air outlet face animals or plants, it might have an adverse effect on them.
- The installer and system specialist shall secure safety against leakage according to local regulations or standards.
- Signal words (DANGER, WARNING and CAUTION) are used to identify levels of hazard seriousness. Definitions for identifying hazard levels are provided below with their respective signal words.

### **▲ DANGER**

: Immediate hazards which WILL result in severe personal injury or death.

### **▲ WARNING**

: Hazards or unsafe practices which COULD result in severe personal injury or death.

### **▲ CAUTION**

: Hazards or unsafe practices which COULD result in minor personal injury or product or property damage.

### **NOTE**

: Useful information for operation and/or maintenance.

- Installation should be performed by the dealer or other professional personnels. Improper installation may cause water leakage, electrical shock, or fire.

### **▲ DANGER**

- Do not perform installation work, refrigerant piping work, drain piping and electrical wiring connection without referring to our installation manual. If the instructions are not followed, it may result in water leakage, electric shock or fire.
- Use refrigerant R410 in the refrigerant cycle.
- Do not pour water into the indoor or outdoor unit. These products are equipped with electrical parts. If poured, it will cause a serious electrical shock.
- Do not open the service cover or access panel for the indoor or outdoor units without turning OFF the main power supply.
- Do not touch or adjust safety devices inside the indoor or outdoor units. If these devices are touched or readjusted, it may cause a serious accident.
- Refrigerant leakage can cause difficulty in breathing due to insufficient air. Turn OFF the main switch, extinguish any naked flames and contact your service contractor, if refrigerant leakage occurs.
- Do perform air-tight test. Do not charge oxygen, acetylene or other flammable and poisonous gas into the refrigerant cycle when performing a leakage test or an air-tight test. These types of gas are extremely dangerous and can cause an explosion. It is recommended that nitrogen be used for this test.
- The installer and system specialist shall secure safety against refrigerant leakage according to local regulations or standards.
- Use an ELB (Electric Leakage Breaker). In the event of a fault, there is danger of an electric shock or a fire if it is not used.

### **▲ WARNING**

- Do not use any sprays such as insecticide, lacquer, hair spray or other flammable gas within approximately one (1) meter from the system.

- If circuit breaker or fuse is often activated, stop the system and contact your service contractor.
- Check that the ground wire is securely connected. If the unit is not correctly grounded, it will lead to electric shock. Do not connect the ground wiring to gas piping, water piping, lightning conductor or ground wiring for telephone.
- Before performing any brazing work, check to ensure that there is no flammable material around when using refrigerant. Be sure to wear leather gloves to prevent cold injuries.
- Protect the wires, electrical parts, etc. from rats or other small animals.  
If not protected, rats may gnaw at unprotected parts, which may lead to fire.
- Fix the cables securely. External forces on the terminals could lead to fire.
- Install the air conditioner on a solid base that can support the unit weight. An inadequate base or incomplete installation may cause injury in the event the unit falls off the base. Incomplete connections or clamping may cause terminal overheating or fire.
- Make sure that the outdoor unit is not covered with snow or ice, before operation.

**CAUTION**

- Do not step or put any material on the product.
- Do not put any foreign material on the unit or inside the unit.

**NOTE**

- It is recommended that the room be ventilated every 3 to 4 hours.
- The air conditioner may not work properly under the following circumstances.  
The power transformer provides the same power with the air conditioner. The electrical equipment is too close to the power supply of the air conditioner. With the sharp change of power consumption and switching action, the power supply of the air conditioner will generate a large induction surge voltage.

**CHECKING PRODUCT RECEIVED**

- Upon receiving this product, inspect it for any shipping damage. Claims for damage, either apparent or concealed, should be filed immediately with the shipping company.
- Check the model number, electrical characteristics (power supply, voltage and frequency) and accessories to determine if they are correct.  
The standard utilization of the unit shall be explained in these instructions.  
Therefore, the utilization of the unit other than those indicated in these instructions is not recommended.  
Please contact your local agent, as the occasion arises.

☑ • *The figures in this manual are based on the external view of a standard model. Consequently, the shape may differ from that of the air conditioner you have selected.*  
• *In this manual, LSP stands for Low Static Pressure, and MSP stands for Medium Static Pressure.*



# Table of Contents

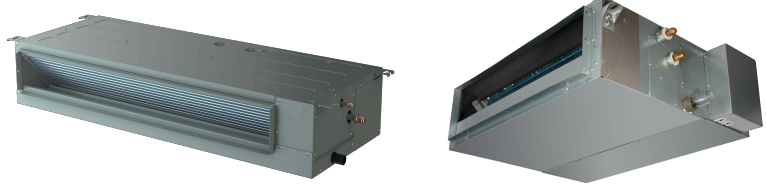
1. General .....	1
1.1 Features.....	1
1.2 Product Lineup.....	4
1.3 Nomenclature .....	4
1.4 Unit Installation .....	5
1.5 Working Range .....	5
1.6 Product Appearance .....	6
2. Outlines and Dimensions .....	11
2.1 Indoor Units .....	11
2.2 Outdoor Units.....	16
3. Electrical Data.....	20
4. Capacities and Selection Data.....	21
4.1 Capacity Characteristic Charts .....	21
4.2 Piping Length Correction Factor .....	57
4.3 Correction Factors according to Defrosting Operation .....	59
5. Sound Pressure Data .....	60
6. Air Flow Distribution .....	67
6.1 Cassette Type.....	67
6.2 Ceiling & Floor Type.....	72
7. ESP (External Static Pressure) Chart (Duct Type) .....	82
8. Refrigerant Cycle .....	87
9. Fresh Air Intake Function .....	89
10. Wiring Diagram .....	91
10.1 Electrical Wiring Diagrams .....	91
10.2 Control Board Picture.....	99
10.3 Common Wiring.....	104
11. Field Setting.....	106
11.1 Indoor Unit Airflow DIP Setting.....	106
11.2 Outdoor Unit DIP Switch.....	107
11.3 ESP Setting .....	109
11.4 Indoor Unit Parameter Revision .....	110
11.5 Running Parameter Query.....	113
11.6 Instructions for the Function Setting of Access Control, Fire Protection, ON/OFF .....	115
12. Piping Work and Refrigerant Charge.....	118
12.1 MAX. Length Allowed.....	118
12.2 Oil Trap .....	118
12.3 Air Tight Test .....	119
12.4 Additional Refrigerant Charge.....	120
13. Installation Tools and Installation Flow Chart.....	121
13.1 Necessary Tools and Instrument List for Installation.....	121
13.2 Installation Flow Chart .....	122
14. Control Mode .....	123
14.1 Indoor Unit Mode Control.....	123
14.2 Outdoor Unit Mode Control.....	126
15. Sensor Parameter.....	127
16. Troubleshooting .....	133
16.1 Trouble Guide .....	133
16.2 Fault Codes .....	138
17. Checking Components .....	147
17.1 Check Refrigerant System .....	147
17.2 Check Parts Unit.....	149
18. Disassembly and Assembly for Compressor and Motor .....	153
19. Control Logic Description.....	168

# 1. GENERAL

## 1. General

### 1.1 Features

#### Duct Type Air Conditioner



#### Features

➤ **Saving Installation Space**

The indoor unit can be installed inside the ceiling conveniently.

➤ **Optional Static Pressure**

Optional ESP, a variety of optional installation methods.

➤ **24-hour Timer ON and OFF**

This Timer can be set to automatically turn the unit on or off within a 24-hour period.

➤ **Mute Operation**

The excellent fan design enables smooth airflow with minimum noise.

➤ **Meeting Various Installation Requirements**

Both the back-air-inlet type and down-air-inlet type can be installed according to the actual installation space. Difference lies in that the noise of the down-air-inlet type increases by 5-6dB..

➤ **Auto Re-start from Power Failure**

When the power supply is restored from power failure, all presets are still effective and the air-conditioner will run according to the previous setting.

➤ **Fault Self-diagnosis Function**

When there is a problem in the air conditioner, the microcomputer could diagnose the faults, which can be read from the display and is convenient for maintenance.

## 1. GENERAL

### Cassette Type Air Conditioner



#### Features

- **Saving Installation Space**  
The indoor unit can be installed inside the ceiling conveniently.
- **24-hour Timer ON and OFF**  
This Timer can be set to automatically turn the unit on or off within a 24-hour period.
- **Mute Operation**  
The excellent fan design enables smooth airflow with minimum noise.
- **Auto Re-start from Power Failure**  
When the power supply is restored from power failure, all presets are still effective and the air-conditioner will run according to the previous setting.
- **Fault Self-diagnosis Function**  
When there is a problem in the air conditioner, the microcomputer can diagnose the faults, which can be read from the display and is convenient for maintenance.

## 1. GENERAL

### Ceiling & Floor Air Conditioner



#### Features

- **Saving Installation Space**

The indoor unit's height is only 230mm, so it can be installed inside the ceiling conveniently.
- **Flexible Installation Options**

According to the actual installation space, the indoor unit can be installed in the ceiling or on the floor. One unit, two installation methods.
- **24-hour Timer ON and OFF**

This Timer can be set to automatically turn the unit on or off within a 24-hour period.
- **Mute Operation**

The excellent fan design enables smooth airflow with minimum noise.
- **Various Refrigerant Pipe Connecting Methods**

The refrigerant pipe can be connected from 3 different directions (rear, right, or top).
- **Auto Re-start from Power Failure**

When the power supply is recovered after power failure, all presets are still effective and the air conditioner will run according to the previous setting.
- **Fault Self-diagnosis Function**

When there is a problem in the air conditioner, the microcomputer could diagnose the faults, which can be read from the display and is convenient for maintenance.

## 1. GENERAL

### 1.2 Product lineup

Model (Btu/h) Type	18K	24K	36K	48K	60K
Duct	●	●	●	●	●
Cassette	●	●	●	●	●
Ceiling & Floor	●	●	●	●	●

● -- available model

## 1. GENERAL

### 1.4 Unit installation

1:1 system is the only compatible combination.

(Only 1 indoor unit can be connected with 1 outdoor unit.)

### 1.5 Working range

Power Supply

<b>Working Voltage</b>	198V ~ 253V(Single phase 18K~36K), 342V ~ 438V(Three phase 48K~60K)
<b>Voltage Imbalance</b>	Within a 3% deviation from each voltage at the main terminal of outdoor unit
<b>Starting Voltage</b>	Higher than 85% of the Rated Voltage

Type	Mode	Outdoor operating temperature (°C)	
		maximum	minimum
DC-Inverter Split Air Conditioner (Heat pump type)	Cooling Operation	48	-15
	Heating Operation	24	-10

Storage condition:

Temperature: -25~60°C

Humidity: 30%~80%

# 1. GENERAL

## 1.6 Product appearance

### Duct type

Model (Btu/h)	Indoor Unit	Outdoor Unit
18K		
24K		
36K		
48K		
60K		

# 1. GENERAL

## Ceiling & Floor type

Model (Btu/h)	Indoor Unit	Outdoor Unit
18K		
24K		
36K		
48K		
60K		



# 1. GENERAL

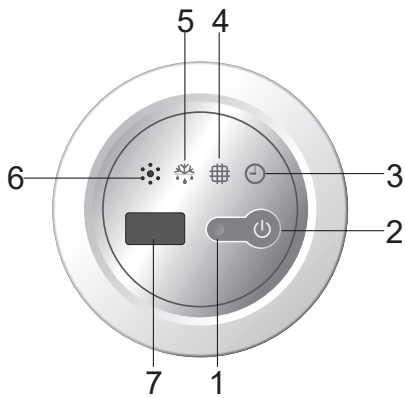
## Cassette type

Model (Btu/h)	Indoor Unit	Outdoor Unit
18K		
24K		
36K		
48K		
60K		

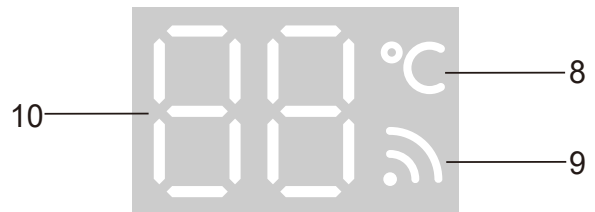
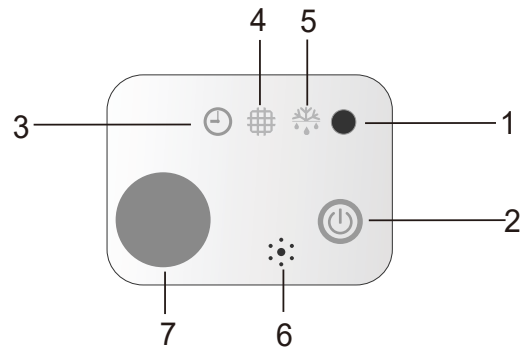
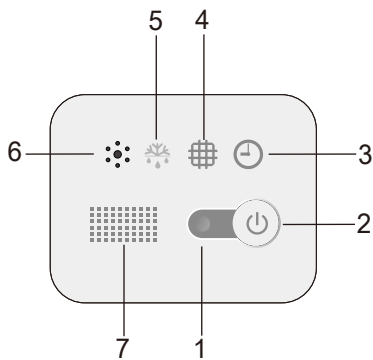
# 1. GENERAL

## Display panel

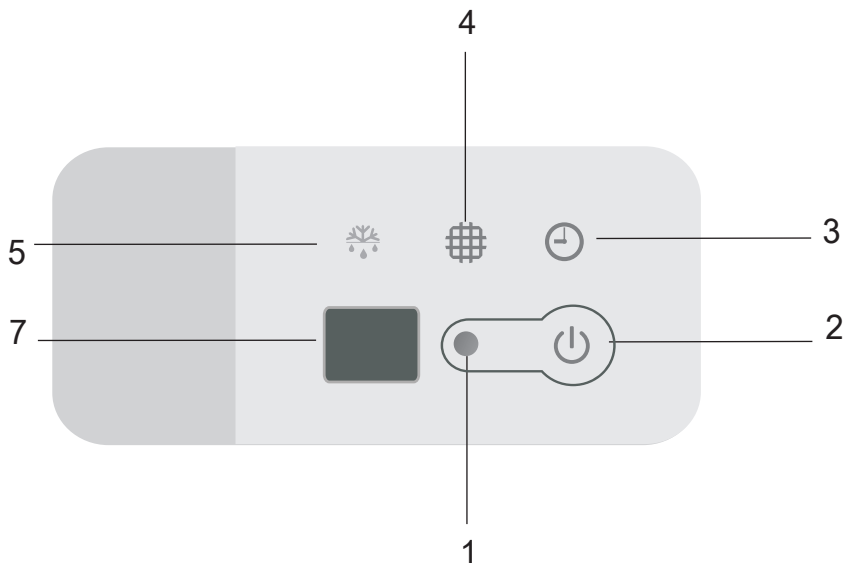
### Duct type



### Cassette type



### Ceiling & Floor type



## 1. GENERAL

### Description

**1** Run indicator (Red)

It lights up during operation. It stops lighting during SLEEP mode.

**2** Emergency switch

The filter cleaning indicator will be off when this switch is pressed. The unit will stop operation when this switch is pressed during operation. When the unit is off, press this switch to start auto operation. If it is pressed for more than 5s, the unit will operate in cooling mode.

**3** Timer indicator (Green)

It lights up when timer is in use. It stops lighting when timer ends.

**4** Filter cleaning (Yellow)

It lights up when the filter needs to be cleaned.

**5** Defrost indicator (Green)


It lights up during defrosting. It stops lighting when defrosting is completed.

**6** Buzzer

It beeps when the signal from remote controller is received.

**7** Infrared receiver

It receives signals from the remote controller.

 • *The figures in this manual are based on the external view of a standard model. Consequently, the shape may differ from that of the air conditioner you have selected.*

## 2. OUTLINES AND DIMENSIONS

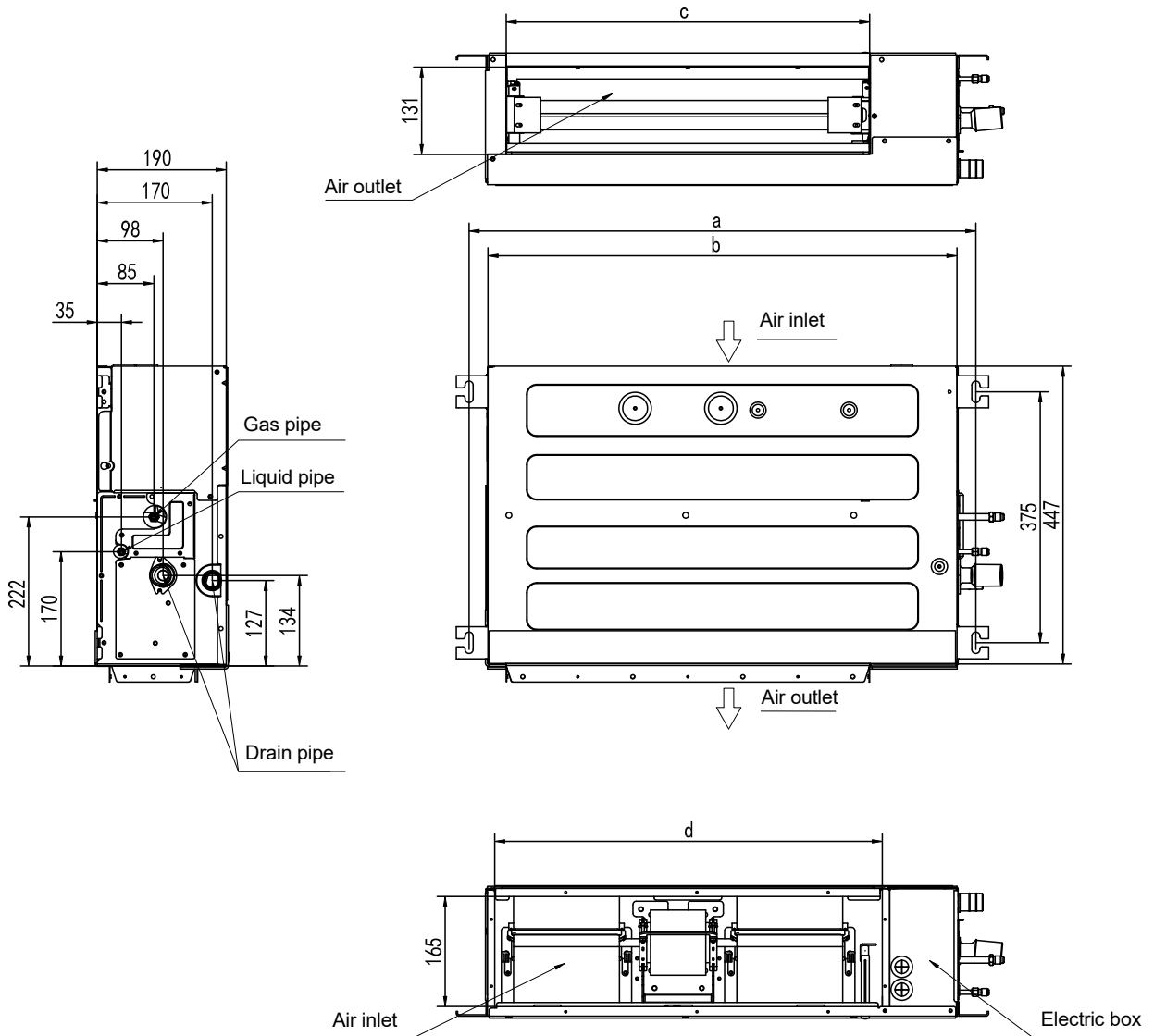
### 2. Outlines and dimensions

#### 2.1 Indoor units

Duct

18K

Unit: mm

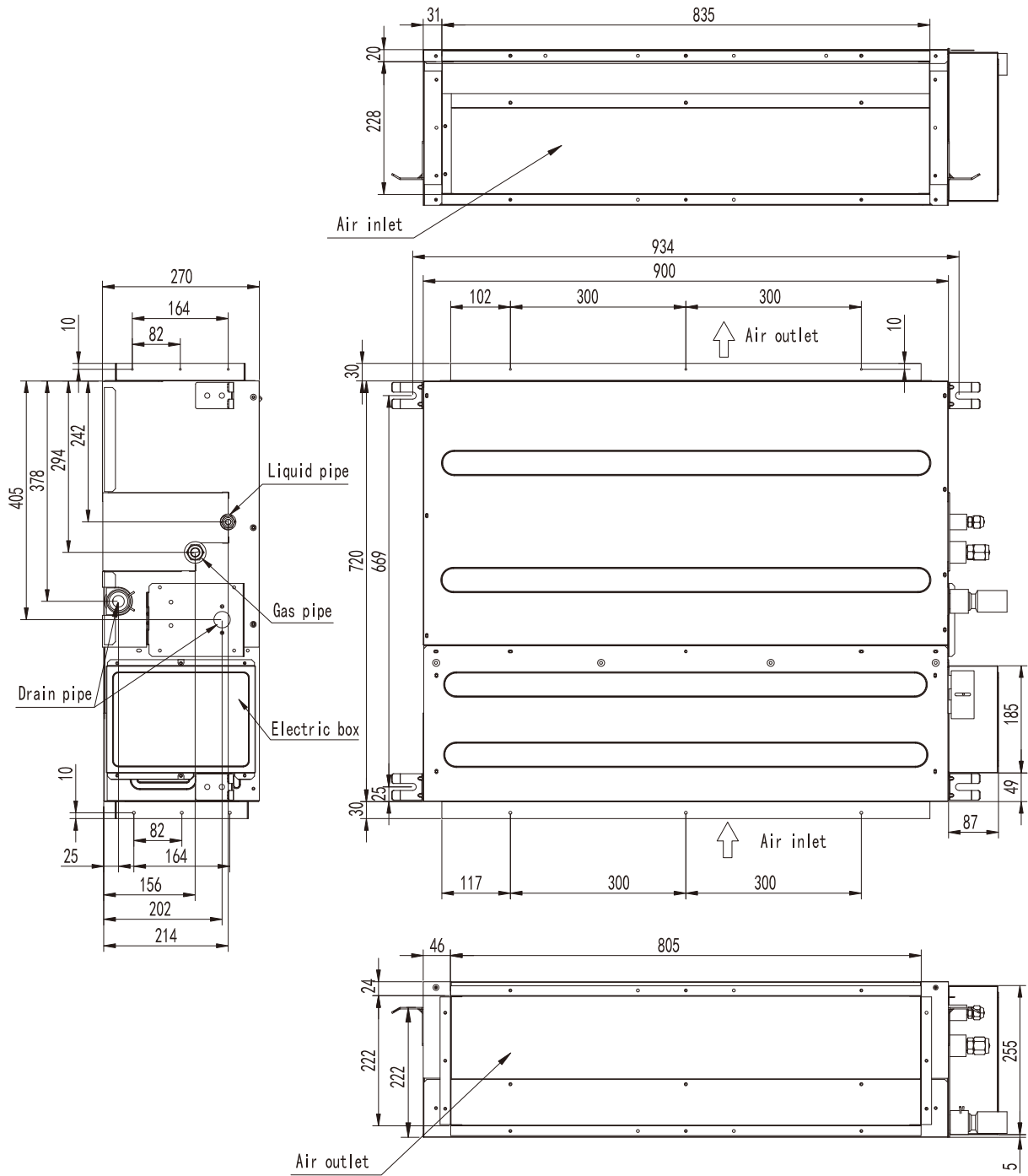


Model ( Btu/h)	a	b	c	d
18K	1231	1180	1019	1056

## 2. OUTLINES AND DIMENSIONS

24K

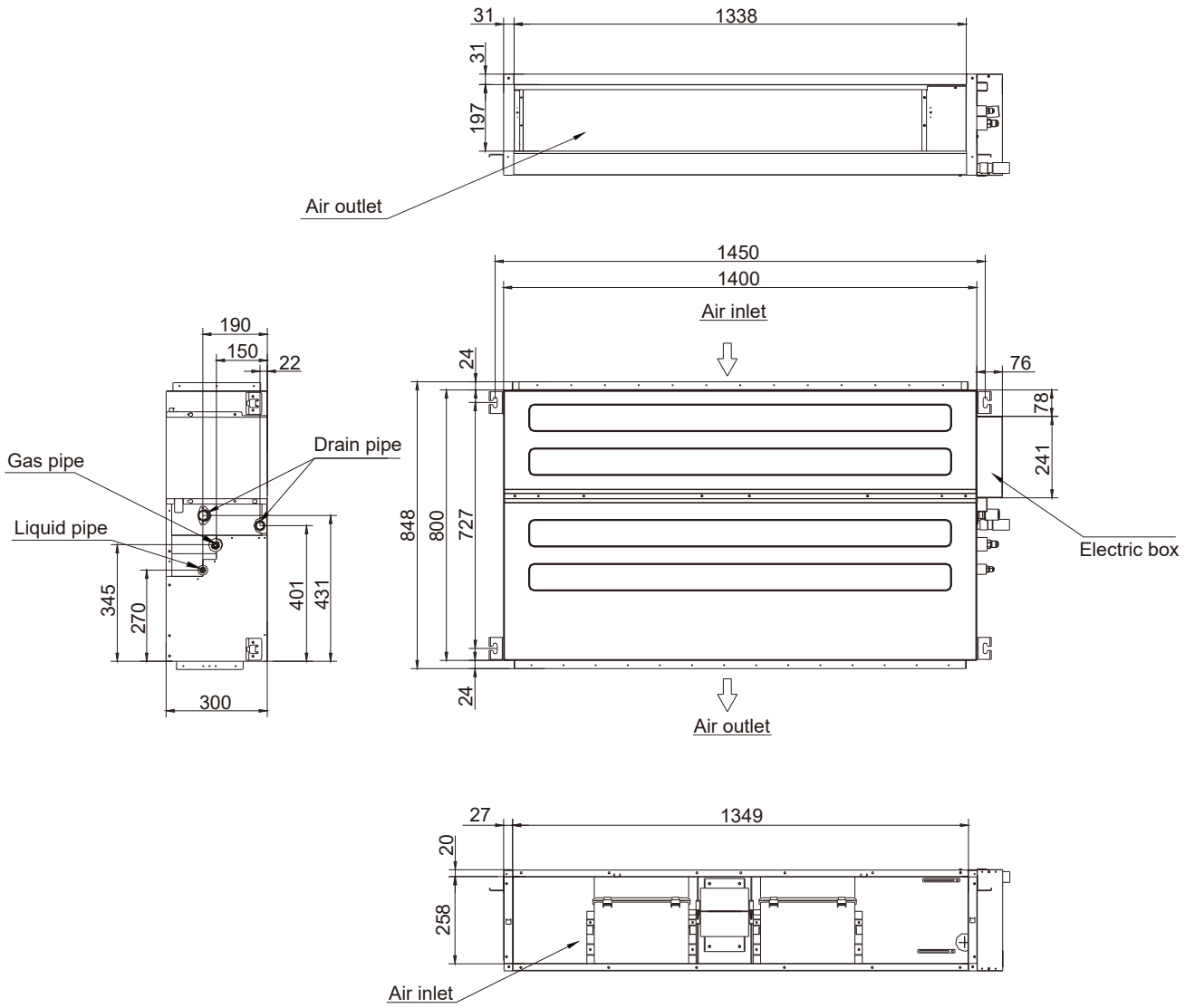
Unit: mm



## 2. OUTLINES AND DIMENSIONS

36~60K

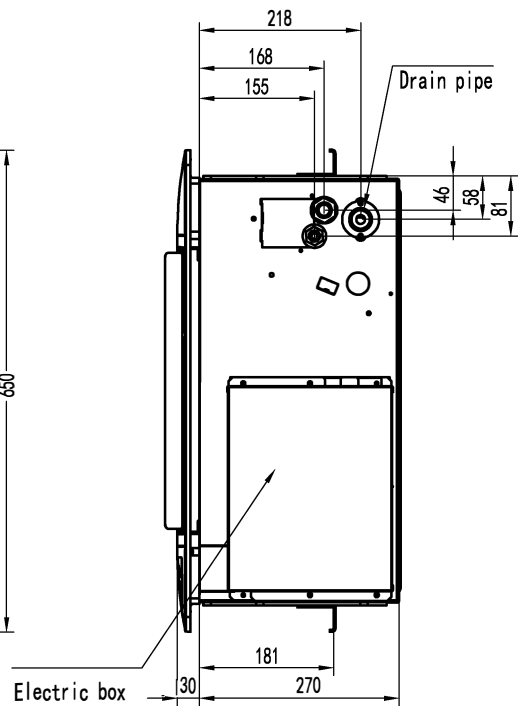
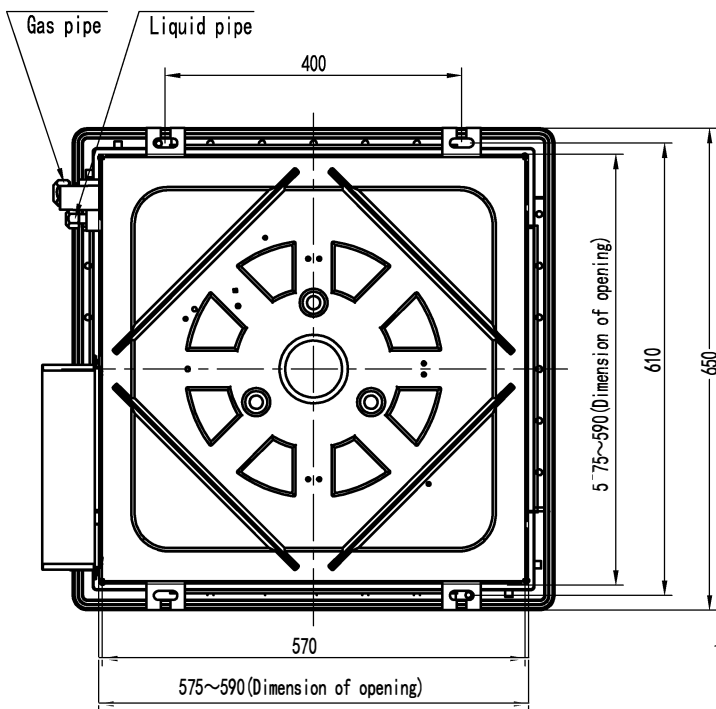
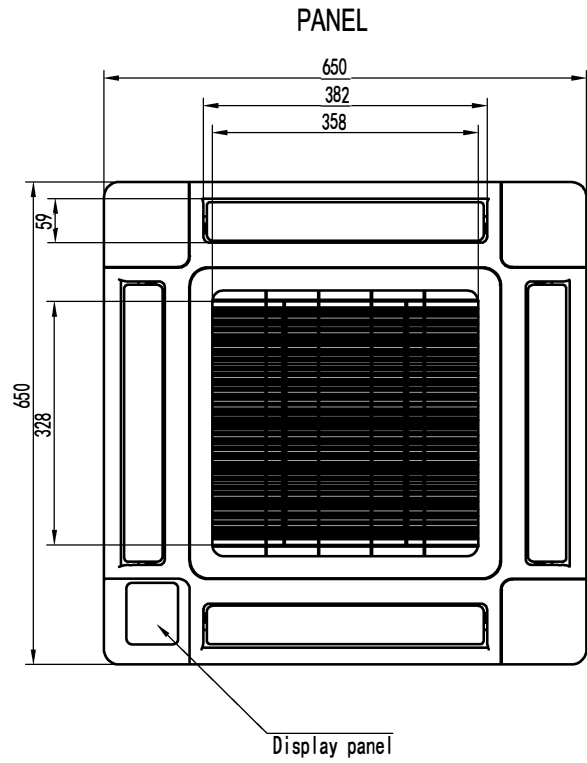
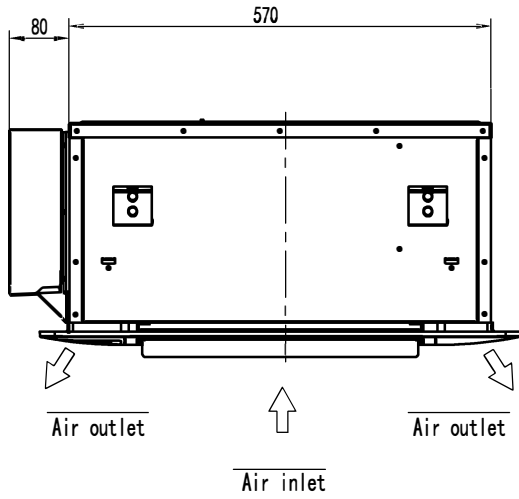
Unit: (mm)



## 2. OUTLINES AND DIMENSIONS

**Cassette  
18K**

Unit: mm

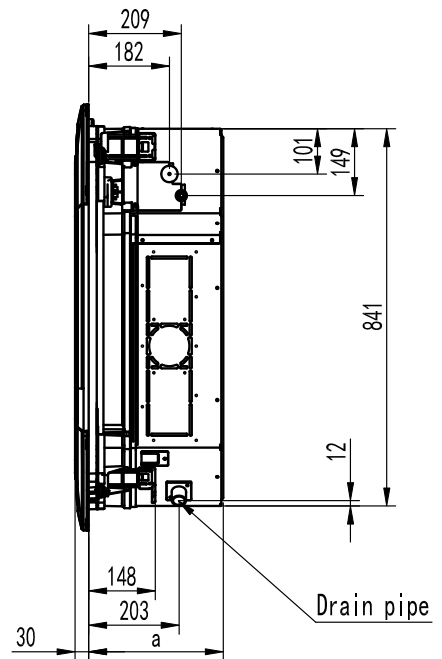
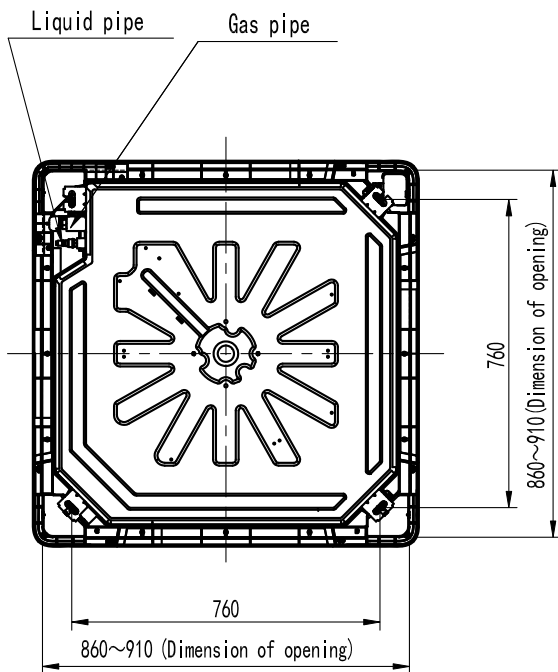
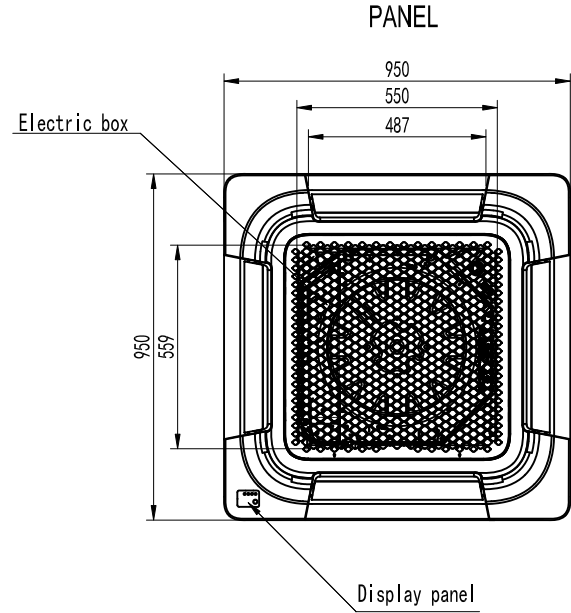
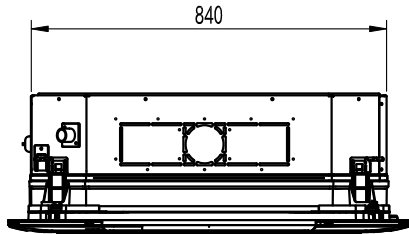


## 2. OUTLINES AND DIMENSIONS

24K~60K

Unit: mm

Unit: mm



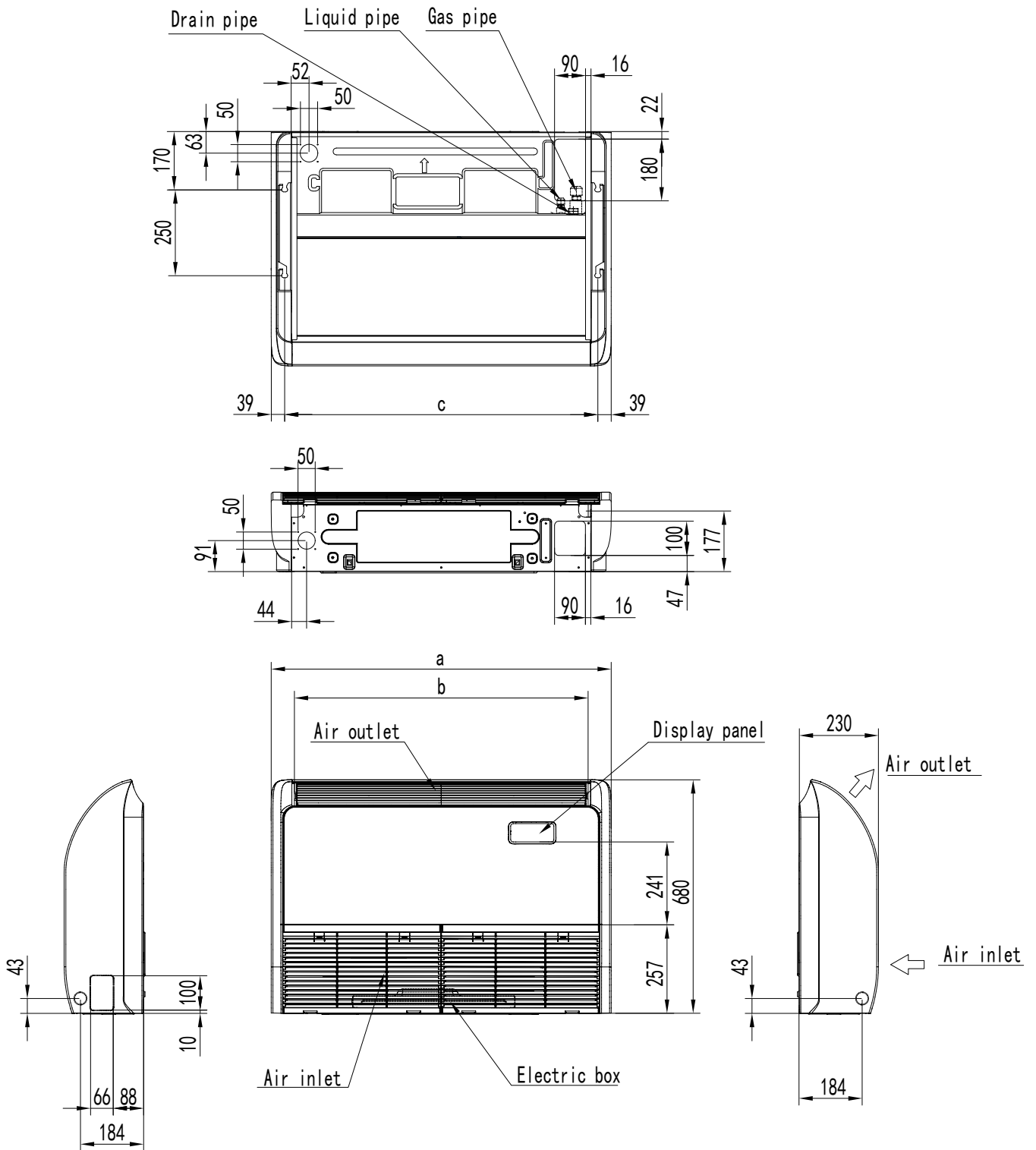
Model(Btu/h)	a
24K	264
36K/48K/60K	300



## 2. OUTLINES AND DIMENSIONS

Ceiling & Floor

Unit: mm



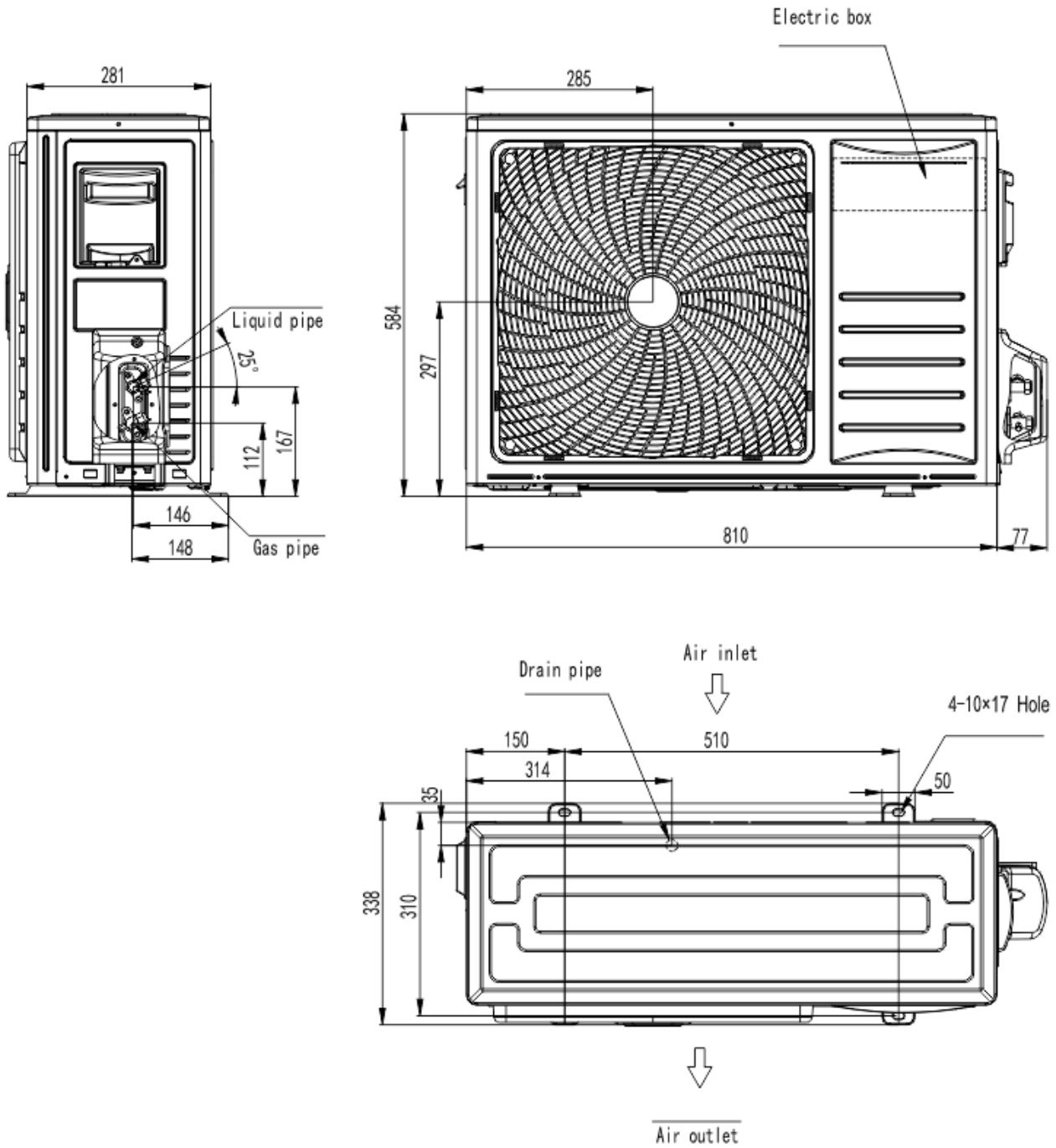
Model	a	b	c
18K/24K	990	855	912
36K/48K/60K	1580	1445	1502

## 2. OUTLINES AND DIMENSIONS

### 2.2 Outdoor units

18K

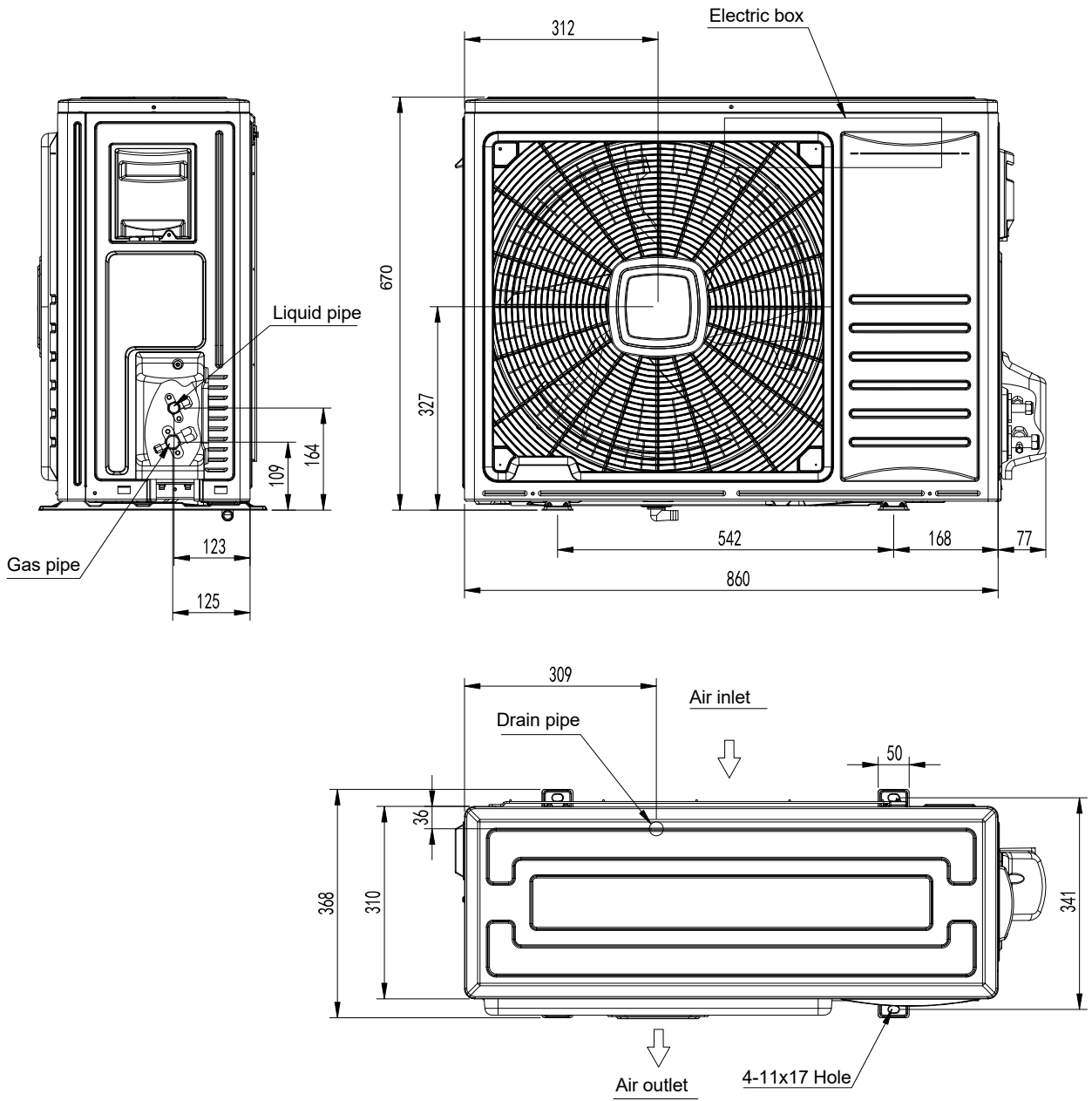
Electric box Unit: mm



## 2. OUTLINES AND DIMENSIONS

24K

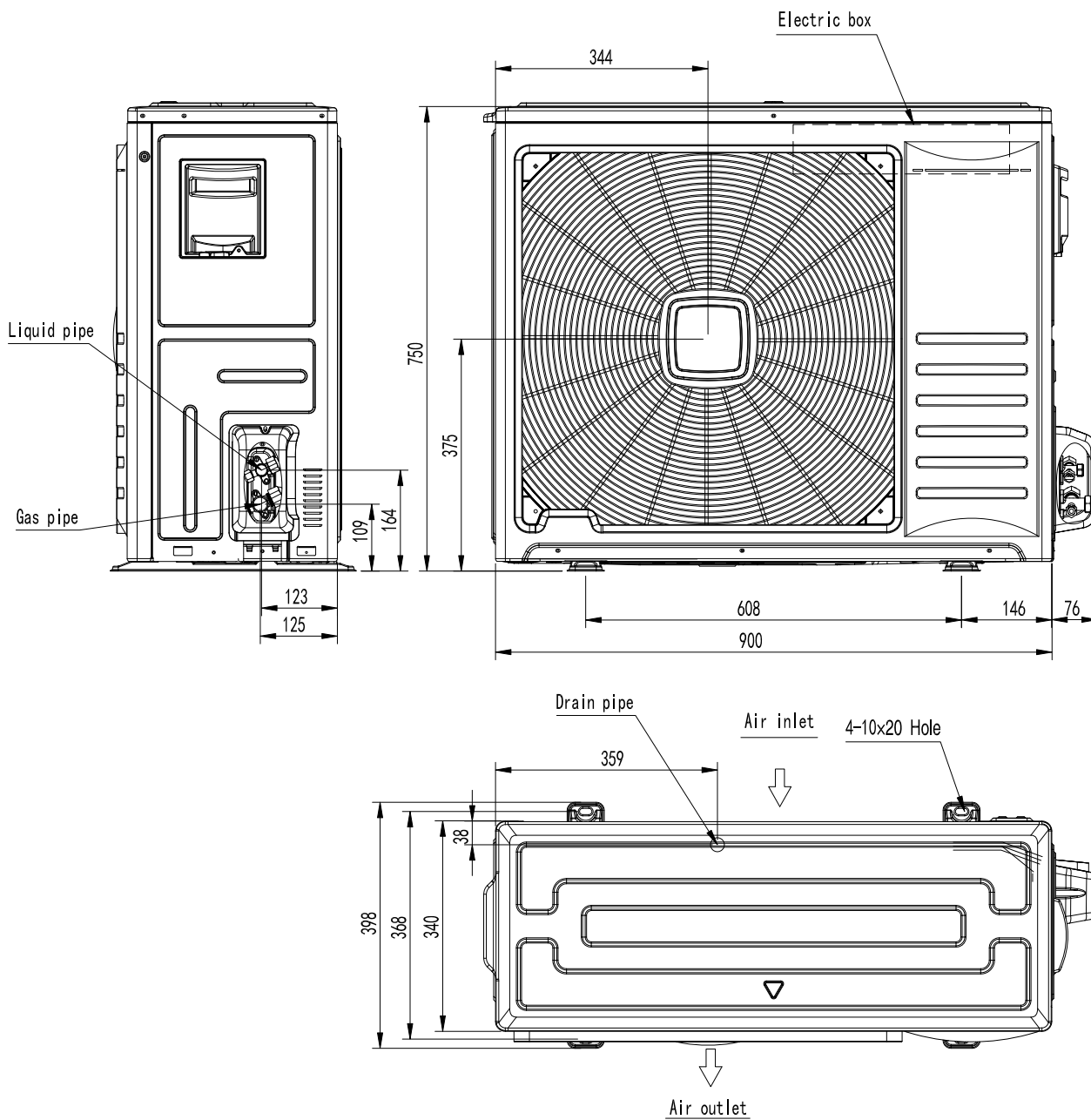
Unit: mm



## 2. OUTLINES AND DIMENSIONS

36K

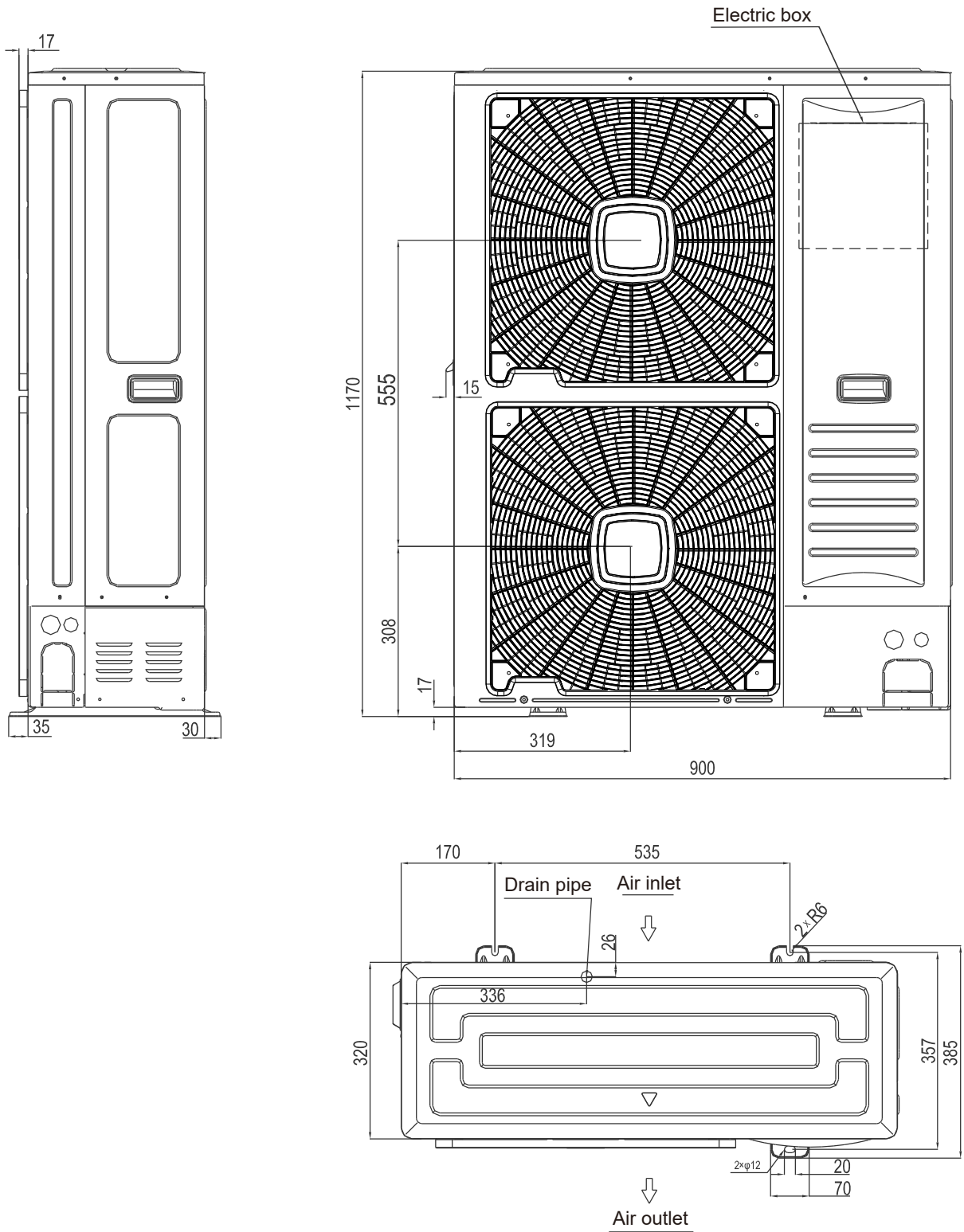
Unit: mm



## 2. OUTLINES AND DIMENSIONS

48K/60K

Unit: mm



### 3. ELECTRICAL DATA

#### 3. Electrical data

Outdoor unit		Power supply			Applicable Voltage		ELB	
		Voltage(V)	PH	Frequency (Hz)	Umin (V)	Umax (V)	Nominal Current (A)	Nominal Sensitive Current (mA)
single-phase	18K/24K	220-240~	1	50	198	253	25	30
single-phase	36K	220-240~	1	50	198	253	32	30
Three-phase	48K	380-415~	3	50	342	438	20	30
Three-phase	60K	380-415~	3	50	342	438	25	30

**NOTE:**

1. The above compressor data is based on 100% capacity combination of indoor units at the rated operating frequency.
2. This data is based on the same conditions as the nominal heating and cooling capacities.
3. The compressor started by an inverter, resulting in extremely low starting current.

## 4. CAPACITIES AND SELECTION DATA

The following charts show the characteristics of outdoor unit capacity, which corresponds with the operating ambient temperature of outdoor unit. Conditions:

- ① Pipe length / height difference: 5m/ 0m    ② Indoor fan speed at high fan speed    ③ Capacity loss due to white frost and defrost operation is not included.

### Cassette 18K

PERFORMANCE DATA (Cooling Operation at Rated Frequency)																																																	
ACT-18UR4SSAC5																																																	
CAPACITY: 5.0 kW SHF: 0.75 INPUT: 1755 W																																																	
ID DB (°C)	IN WB (°C)	OUTDOOR DB (°C)																																															
		-15				-5				0				5				10				15				20				25				30				35				40				45			
		Q	SHC	SHF	IPT	Q	SHC	SHF	IPT	Q	SHC	SHF	IPT	Q	SHC	SHF	IPT	Q	SHC	SHF	IPT	Q	SHC	SHF	IPT	Q	SHC	SHF	IPT	Q	SHC	SHF	IPT	Q	SHC	SHF	IPT	Q	SHC	SHF	IPT	Q	SHC	SHF	IPT	Q	SHC	SHF	IPT
21	18	4.84	2.76	0.57	1273	4.79	2.73	0.57	1285	4.74	2.70	0.57	1297	4.68	2.67	0.57	1307	4.63	2.64	0.57	1314	4.58	2.61	0.57	1357	4.52	2.58	0.57	1417	4.44	2.53	0.57	1513	4.34	2.47	0.57	1583	4.21	2.40	0.57	1643	3.86	2.20	0.57	1745	3.19	1.82	0.57	1812
21	20	5.04	2.27	0.45	1297	4.99	2.25	0.45	1308	4.94	2.22	0.45	1320	4.87	2.19	0.45	1331	4.82	2.17	0.45	1337	4.77	2.15	0.45	1381	4.71	2.12	0.45	1441	4.62	2.08	0.45	1537	4.51	2.03	0.45	1607	4.38	1.97	0.45	1666	4.02	1.81	0.45	1769	3.32	1.49	0.45	1836
22	18	4.99	3.04	0.61	1286	4.94	3.01	0.61	1298	4.89	2.98	0.61	1310	4.82	2.94	0.61	1320	4.78	2.91	0.61	1327	4.72	2.88	0.61	1371	4.66	2.84	0.61	1432	4.58	2.79	0.61	1529	4.47	2.73	0.61	1599	4.34	2.65	0.61	1659	3.98	2.43	0.61	1763	3.29	2.00	0.61	1830
22	20	5.14	2.52	0.49	1310	5.09	2.49	0.49	1322	5.04	2.47	0.49	1333	4.97	2.44	0.49	1344	4.92	2.41	0.49	1351	4.87	2.39	0.49	1395	4.80	2.35	0.49	1455	4.72	2.31	0.49	1552	4.61	2.26	0.49	1623	4.47	2.19	0.49	1683	4.11	2.01	0.49	1787	3.39	1.66	0.49	1854
22	22	5.23	1.94	0.37	1326	5.18	1.92	0.37	1338	5.12	1.90	0.37	1350	5.06	1.87	0.37	1360	5.01	1.85	0.37	1367	4.95	1.83	0.37	1411	4.88	1.81	0.37	1472	4.80	1.77	0.37	1569	4.68	1.73	0.37	1639	4.55	1.68	0.37	1699	4.18	1.54	0.37	1803	3.44	1.27	0.37	1870
23	18	5.09	3.31	0.65	1299	5.04	3.28	0.65	1311	4.99	3.24	0.65	1323	4.92	3.20	0.65	1334	4.87	3.17	0.65	1340	4.82	3.13	0.65	1385	4.75	3.09	0.65	1446	4.67	3.04	0.65	1544	4.56	2.96	0.65	1616	4.43	2.88	0.65	1676	4.06	2.64	0.65	1781	3.35	2.18	0.65	1849
23	20	5.25	2.78	0.53	1323	5.20	2.75	0.53	1335	5.14	2.72	0.53	1347	5.07	2.69	0.53	1358	5.02	2.66	0.53	1364	4.97	2.63	0.53	1409	4.90	2.60	0.53	1470	4.81	2.55	0.53	1568	4.70	2.49	0.53	1640	4.56	2.42	0.53	1700	4.19	2.22	0.53	1805	3.46	1.83	0.53	1873
23	22	5.34	2.19	0.41	1339	5.28	2.17	0.41	1351	5.23	2.14	0.41	1363	5.16	2.12	0.41	1374	5.11	2.09	0.41	1381	5.05	2.07	0.41	1425	4.98	2.04	0.41	1487	4.89	2.01	0.41	1584	4.78	1.96	0.41	1656	4.64	1.90	0.41	1717	4.26	1.75	0.41	1821	3.51	1.44	0.41	1889
24	18	5.20	3.59	0.69	1312	5.14	3.55	0.69	1324	5.09	3.51	0.69	1336	5.02	3.47	0.69	1347	4.97	3.43	0.69	1354	4.92	3.39	0.69	1399	4.85	3.35	0.69	1461	4.77	3.29	0.69	1560	4.65	3.21	0.69	1632	4.52	3.12	0.69	1693	4.15	2.86	0.69	1799	3.42	2.36	0.69	1867
24	20	5.35	3.05	0.57	1336	5.30	3.02	0.57	1348	5.24	2.99	0.57	1361	5.18	2.95	0.57	1371	5.13	2.92	0.57	1378	5.07	2.89	0.57	1423	5.00	2.85	0.57	1485	4.91	2.80	0.57	1584	4.80	2.73	0.57	1656	4.66	2.65	0.57	1717	4.27	2.44	0.57	1823	3.53	2.01	0.57	1892
24	22	5.45	2.45	0.45	1353	5.39	2.43	0.45	1365	5.33	2.40	0.45	1377	5.26	2.37	0.45	1388	5.21	2.35	0.45	1395	5.16	2.32	0.45	1440	5.08	2.29	0.45	1502	4.99	2.25	0.45	1600	4.88	2.19	0.45	1673	4.74	2.13	0.45	1734	4.35	1.96	0.45	1840	3.59	1.61	0.45	1908
24	24	5.52	1.82	0.33	1372	5.47	1.80	0.33	1384	5.41	1.78	0.33	1396	5.34	1.76	0.33	1407	5.29	1.74	0.33	1414	5.23	1.73	0.33	1459	5.16	1.70	0.33	1521	5.06	1.67	0.33	1620	4.95	1.63	0.33	1692	4.80	1.58	0.33	1753	4.41	1.45	0.33	1859	3.64	1.20	0.33	1928
25	18	5.36	3.91	0.73	1325	5.30	3.87	0.73	1338	5.25	3.83	0.73	1350	5.18	3.78	0.73	1361	5.13	3.74	0.73	1368	5.07	3.70	0.73	1413	5.00	3.65	0.73	1476	4.91	3.59	0.73	1575	4.80	3.50	0.73	1648	4.66	3.40	0.73	1710	4.28	3.12	0.73	1817	3.53	2.58	0.73	1886
25	20	5.52	3.37	0.61	1350	5.47	3.33	0.61	1362	5.41	3.30	0.61	1374	5.34	3.26	0.61	1385	5.28	3.22	0.61	1392	5.23	3.19	0.61	1438	5.15	3.14	0.61	1500	5.06	3.09	0.61	1600	4.94	3.02	0.61	1673	4.80	2.93	0.61	1735	4.41	2.69	0.61	1841	3.64	2.22	0.61	1911
25	22	5.61	2.75	0.49	1367	5.56	2.72	0.49	1379	5.50	2.69	0.49	1391	5.43	2.66	0.49	1402	5.37	2.63	0.49	1409	5.32	2.60	0.49	1454	5.24	2.57	0.49	1517	5.15	2.52	0.49	1617	5.03	2.46	0.49	1690	4.88	2.39	0.49	1751	4.48	2.20	0.49	1858	3.70	1.81	0.49	1927
25	24	5.69	2.11	0.37	1386	5.64	2.09	0.37	1398	5.58	2.06	0.37	1411	5.50	2.04	0.37	1421	5.45	2.02	0.37	1428	5.39	1.99	0.37	1474	5.32	1.97	0.37	1536	5.22	1.93	0.37	1636	5.10	1.89	0.37	1709	4.95	1.83	0.37	1771	4.54	1.68	0.37	1878	3.75	1.39	0.37	1947
26	18	5.52	4.25	0.77	1339	5.47	4.21	0.77	1351	5.41	4.16	0.77	1363	5.34	4.11	0.77	1374	5.29	4.07	0.77	1381	5.23	4.03	0.77	1427	5.16	3.97	0.77	1490	5.06	3.90	0.77	1591	4.95	3.81	0.77	1665	4.80	3.70	0.77	1728	4.41	3.39	0.77	1835	3.64	2.80	0.77	1905
26	20	5.69	3.70	0.65	1364	5.63	3.66	0.65	1376	5.57	3.62	0.65	1388	5.50	3.58	0.65	1399	5.45	3.54	0.65	1406	5.39	3.50	0.65	1452	5.31	3.45	0.65	1515	5.22	3.39	0.65	1616	5.10	3.31	0.65	1690	4.95	3.22	0.65	1752	4.54	2.95	0.65	1860	3.75	2.44	0.65	1930
26	22	5.79	3.07	0.53	1380	5.73	3.04	0.53	1393	5.67	3.00	0.53	1405	5.60	2.97	0.53	1416	5.54	2.94	0.53	1423	5.48	2.90	0.53	1469	5.40	2.86	0.53	1532	5.31	2.81	0.53	1633	5.18	2.75	0.53	1707	5.03	2.67	0.53	1769	4.62	2.45	0.53	1877	3.81	2.02	0.53	1947
26	24	5.87	2.41	0.41	1400	5.81	2.38	0.41	1412	5.75	2.36	0.41	1425	5.67	2.33	0.41	1436	5.62	2.30	0.41	1443	5.56	2.28	0.41	1489	5.48	2.25	0.41	1552	5.38	2.21	0.41	1653	5.26	2.16	0.41	1726	5.10	2.09	0.41	1789	4.69	1.92	0.41	1897	3.87	1.58	0.41	1967
26	26	5.96	1.73	0.29	1423	5.90	1.71	0.29	1435	5.84	1.69	0.29	1448	5.76	1.67	0.29	1459	5.71	1.66	0.29	1466	5.65	1.64	0.29	1512	5.57	1.61	0.29	1575	5.47	1.59	0.29	1675	5.34	1.55	0.29	1749	5.19	1.50	0.29	1812	4.76	1.38	0.29	1919	3.93	1.14	0.29	1990
27	18	5.63	4.56	0.81	1352	5.58	4.52	0.81	1365	5.52	4.47	0.81	1377	5.45	4.41	0.81	1388	5.39	4.37	0.81	1395	5.33	4.32	0.81	1442	5.26	4.26	0.81	1505	5.17	4.19	0.81	1607	5.05	4.09	0.81	1682	4.90	3.97	0.81	1745	4.50	3.64	0.81	1854	3.71	3.01	0.81	1925
27	19	5.75	4.31	0.75	1362	5.69	4.27	0.75	1375	5.63	4.22	0.75	1387	5.56	4.17	0.75	1398	5.50	4.13	0.75	1405	5.44	4.08	0.75	1452	5.37	4.03	0.75	1515	5.27	3.96	0.75	1617	5.15	3.86	0.75	1692	5.00	3.75	0.75	1755	4.59	3.44	0.75	1864	3.79	2.84	0.75	1935
27	20	5.81	4.01	0.69	1377	5.75	3.97	0.69	1390	5.69	3.92	0.69	1402	5.61	3.87	0.69	1413	5.56	3.84	0.69	1420	5.50	3.79	0.69	1467	5.42	3.74	0.69	1530	5.33	3.68	0.69	1632	5.20	3.59	0.69	1707	5.05	3.48	0.69	1770	4.64	3.20	0.69	1879	3.82	2.64	0.69	1950
27	22	5.91	3.37	0.57	1394	5.85	3.33	0.57	1407	5.78	3.30	0.57	1419	5.71	3.25	0.57	1430	5.65	3.22	0.57	1437	5.59	3.19	0.57	1484	5.51	3.14	0.57	1547	5.42	3.09	0.57	1649	5.29	3.02	0.57	1724	5.14	2.93	0.57	1787	4.71	2.69	0.57	1896	3.89	2.22	0.57	1967
27	24	5.99	2.69	0.45	1414	5.93	2.67	0.45	1427	5.86	2.64	0.45	1439	5.79	2.61	0.45	1450	5.73	2.58	0.45	1457	5.67	2.55																										

## 4. CAPACITIES AND SELECTION DATA

### PERFORMANCE DATA (Cooling Operation at Rated Frequency)

ACT-18UR4SSAC5

CAPACITY: 5.0 kW SHF: 0.75 INPUT: 1755 W

ID DB (°C)	IN WB (°C)	OUTDOOR DB (°C)																																															
		-15				-5				0				5				10				15				20				25				30				35				40				45			
		Q	SHC	SHF	IPT	Q	SHC	SHF	IPT	Q	SHC	SHF	IPT	Q	SHC	SHF	IPT	Q	SHC	SHF	IPT	Q	SHC	SHF	IPT	Q	SHC	SHF	IPT	Q	SHC	SHF	IPT	Q	SHC	SHF	IPT	Q	SHC	SHF	IPT	Q	SHC	SHF	IPT	Q	SHC	SHF	IPT
29	18	5.75	5.00	0.87	1379	5.69	4.95	0.87	1392	5.63	4.90	0.87	1405	5.56	4.83	0.87	1416	5.50	4.79	0.87	1423	5.44	4.73	0.87	1471	5.37	4.67	0.87	1536	5.27	4.59	0.87	1640	5.15	4.48	0.87	1716	5.00	4.35	0.87	1780	4.59	3.99	0.87	1891	3.79	3.29	0.87	1963
29	20	5.87	4.52	0.77	1405	5.81	4.47	0.77	1418	5.74	4.42	0.77	1430	5.67	4.37	0.77	1442	5.61	4.32	0.77	1449	5.55	4.28	0.77	1496	5.48	4.22	0.77	1561	5.38	4.14	0.77	1665	5.25	4.05	0.77	1741	5.10	3.93	0.77	1806	4.68	3.61	0.77	1917	3.86	2.97	0.77	1989
29	22	5.98	3.89	0.65	1422	5.92	3.85	0.65	1435	5.86	3.81	0.65	1448	5.78	3.76	0.65	1459	5.73	3.72	0.65	1466	5.66	3.68	0.65	1514	5.59	3.63	0.65	1579	5.49	3.57	0.65	1683	5.36	3.48	0.65	1758	5.20	3.38	0.65	1823	4.78	3.10	0.65	1934	3.94	2.56	0.65	2006
29	24	6.02	3.19	0.53	1443	5.97	3.16	0.53	1455	5.90	3.13	0.53	1468	5.82	3.09	0.53	1480	5.77	3.06	0.53	1487	5.70	3.02	0.53	1534	5.63	2.98	0.53	1599	5.53	2.93	0.53	1703	5.40	2.86	0.53	1779	5.24	2.78	0.53	1843	4.81	2.55	0.53	1954	3.97	2.10	0.53	2027
29	26	6.11	2.50	0.41	1466	6.05	2.48	0.41	1479	5.98	2.45	0.41	1492	5.91	2.42	0.41	1503	5.85	2.40	0.41	1510	5.78	2.37	0.41	1558	5.70	2.34	0.41	1622	5.60	2.30	0.41	1726	5.47	2.24	0.41	1802	5.31	2.18	0.41	1867	4.88	2.00	0.41	1978	4.02	1.65	0.41	2050
30	18	5.81	5.05	0.87	1393	5.75	5.00	0.87	1406	5.69	4.95	0.87	1419	5.61	4.88	0.87	1430	5.56	4.83	0.87	1438	5.50	4.78	0.87	1486	5.42	4.72	0.87	1551	5.32	4.63	0.87	1656	5.20	4.52	0.87	1733	5.05	4.39	0.87	1798	4.63	4.03	0.87	1910	3.82	3.33	0.87	1983
30	20	5.92	4.80	0.81	1419	5.87	4.75	0.81	1432	5.80	4.70	0.81	1445	5.73	4.64	0.81	1456	5.67	4.59	0.81	1463	5.61	4.54	0.81	1511	5.53	4.48	0.81	1577	5.43	4.40	0.81	1682	5.31	4.30	0.81	1759	5.15	4.17	0.81	1824	4.73	3.83	0.81	1936	3.90	3.16	0.81	2009
30	22	6.04	4.17	0.69	1437	5.98	4.13	0.69	1449	5.92	4.08	0.69	1462	5.84	4.03	0.69	1474	5.78	3.99	0.69	1481	5.72	3.95	0.69	1529	5.64	3.89	0.69	1594	5.54	3.82	0.69	1699	5.41	3.73	0.69	1776	5.25	3.63	0.69	1841	4.82	3.33	0.69	1953	3.98	2.75	0.69	2026
30	24	6.08	3.47	0.57	1457	6.02	3.43	0.57	1470	5.96	3.40	0.57	1483	5.88	3.35	0.57	1494	5.82	3.32	0.57	1502	5.76	3.28	0.57	1549	5.68	3.24	0.57	1615	5.58	3.18	0.57	1720	5.45	3.11	0.57	1797	5.29	3.02	0.57	1862	4.86	2.77	0.57	1974	4.01	2.28	0.57	2047
30	26	6.17	2.78	0.45	1481	6.11	2.75	0.45	1494	6.04	2.72	0.45	1506	5.96	2.68	0.45	1518	5.91	2.66	0.45	1525	5.84	2.63	0.45	1573	5.76	2.59	0.45	1639	5.66	2.55	0.45	1744	5.53	2.49	0.45	1820	5.37	2.41	0.45	1885	4.93	2.22	0.45	1998	4.06	1.83	0.45	2071
31	18	5.86	5.10	0.87	1407	5.81	5.05	0.87	1420	5.74	5.00	0.87	1433	5.67	4.93	0.87	1445	5.61	4.88	0.87	1452	5.55	4.83	0.87	1500	5.47	4.76	0.87	1567	5.38	4.68	0.87	1673	5.25	4.57	0.87	1750	5.10	4.44	0.87	1816	4.68	4.07	0.87	1929	3.86	3.36	0.87	2003
31	20	5.98	5.09	0.85	1433	5.92	5.04	0.85	1446	5.86	4.98	0.85	1459	5.78	4.92	0.85	1471	5.73	4.87	0.85	1478	5.66	4.82	0.85	1526	5.59	4.75	0.85	1593	5.49	4.66	0.85	1699	5.36	4.56	0.85	1776	5.20	4.42	0.85	1842	4.78	4.06	0.85	1955	3.94	3.35	0.85	2029
31	22	6.10	4.46	0.73	1451	6.04	4.41	0.73	1464	5.98	4.36	0.73	1477	5.90	4.31	0.73	1488	5.84	4.26	0.73	1496	5.78	4.22	0.73	1544	5.70	4.16	0.73	1610	5.60	4.09	0.73	1716	5.47	3.99	0.73	1794	5.31	3.87	0.73	1860	4.87	3.56	0.73	1973	4.02	2.93	0.73	2046
31	24	6.15	3.75	0.61	1472	6.08	3.71	0.61	1485	6.02	3.67	0.61	1498	5.94	3.62	0.61	1509	5.88	3.59	0.61	1517	5.82	3.55	0.61	1565	5.74	3.50	0.61	1631	5.64	3.44	0.61	1737	5.50	3.36	0.61	1815	5.34	3.26	0.61	1880	4.91	2.99	0.61	1994	4.05	2.47	0.61	2067
31	26	6.23	3.05	0.49	1496	6.17	3.02	0.49	1509	6.10	2.99	0.49	1522	6.02	2.95	0.49	1533	5.96	2.92	0.49	1540	5.90	2.89	0.49	1589	5.82	2.85	0.49	1655	5.72	2.80	0.49	1761	5.58	2.74	0.49	1839	5.42	2.66	0.49	1904	4.97	2.44	0.49	2018	4.10	2.01	0.49	2091
32	18	5.92	5.15	0.87	1421	5.86	5.10	0.87	1434	5.80	5.05	0.87	1447	5.73	4.98	0.87	1459	5.67	4.93	0.87	1467	5.61	4.88	0.87	1515	5.53	4.81	0.87	1582	5.43	4.73	0.87	1689	5.30	4.61	0.87	1768	5.15	4.48	0.87	1834	4.73	4.11	0.87	1948	3.90	3.39	0.87	2023
32	20	6.04	5.26	0.87	1448	5.98	5.21	0.87	1461	5.92	5.15	0.87	1474	5.84	5.08	0.87	1485	5.78	5.03	0.87	1493	5.72	4.98	0.87	1542	5.64	4.91	0.87	1609	5.54	4.82	0.87	1716	5.41	4.71	0.87	1794	5.26	4.57	0.87	1860	4.82	4.20	0.87	1975	3.98	3.46	0.87	2049
32	22	6.16	4.75	0.77	1465	6.10	4.70	0.77	1478	6.04	4.65	0.77	1492	5.96	4.59	0.77	1503	5.90	4.54	0.77	1511	5.84	4.49	0.77	1560	5.76	4.43	0.77	1626	5.65	4.35	0.77	1734	5.52	4.25	0.77	1812	5.36	4.13	0.77	1878	4.92	3.79	0.77	1993	4.06	3.13	0.77	2067
32	24	6.21	4.03	0.65	1486	6.15	3.99	0.65	1499	6.08	3.95	0.65	1513	6.00	3.90	0.65	1524	5.94	3.86	0.65	1532	5.88	3.82	0.65	1581	5.80	3.77	0.65	1647	5.69	3.70	0.65	1755	5.56	3.61	0.65	1833	5.40	3.51	0.65	1899	4.96	3.22	0.65	2014	4.09	2.66	0.65	2088
32	26	6.29	3.34	0.53	1511	6.23	3.30	0.53	1524	6.16	3.27	0.53	1537	6.08	3.22	0.53	1549	6.02	3.19	0.53	1556	5.96	3.16	0.53	1605	5.88	3.11	0.53	1672	5.77	3.06	0.53	1779	5.64	2.99	0.53	1857	5.47	2.90	0.53	1923	5.02	2.66	0.53	2038	4.15	2.20	0.53	2112

**Remarks:**

**Q:** Total Heating / Cooling Capacity (Gross) kW

**INPUT:** Power Input (including the compressor, evap. fan motor & cond. **W DB:** Dry Bulb

Temperature

**WB:** Wet Bulb Temperature

**SHC:** Sensible Heat Capacity

**SHF:** Sensible Heat Factor



## 4. CAPACITIES AND SELECTION DATA

The following charts show the characteristics of outdoor unit capacity, which corresponds with the operating ambient temperature of outdoor unit. Conditions:

① Pipe length / height difference: 5m / 0m ② Indoor fan speed at high fan speed ③ Capacity loss due to white frost and defrost operation is not included.

24K

PERFORMANCE DATA (Cooling Operation at Rated Frequency)																																																	
AUC-24UR4SJJC5																																																	
CAPACITY: 7.0 kW SHF: 0.75 INPUT: 2320 W																																																	
ID DB (°C)	IN WB (°C)	OUTDOOR DB (°C)																																															
		-15		-5		0		5		10		15		20		25		30		35		40		45																									
		Q	SHC	SHF	IPT	Q	SHC	SHF	IPT	Q	SHC	SHF	IPT	Q	SHC	SHF	IPT	Q	SHC	SHF	IPT	Q	SHC	SHF	IPT	Q	SHC	SHF	IPT	Q	SHC	SHF	IPT	Q	SHC	SHF	IPT	Q	SHC	SHF	IPT								
21	18	6.78	3.86	0.57	1686	6.71	3.82	0.57	1701	6.64	3.78	0.57	1717	6.55	3.73	0.57	1731	6.49	3.70	0.57	1740	6.42	3.66	0.57	1798	6.33	3.61	0.57	1877	6.22	3.54	0.57	2004	6.07	3.46	0.57	2096	5.89	3.36	0.57	2175	5.41	3.08	0.57	2310	4.46	2.54	0.57	2398
21	20	7.06	3.18	0.45	1710	6.99	3.14	0.45	1725	6.91	3.11	0.45	1741	6.82	3.07	0.45	1754	6.75	3.04	0.45	1763	6.68	3.01	0.45	1821	6.59	2.96	0.45	1900	6.47	2.91	0.45	2027	6.32	2.84	0.45	2120	6.14	2.76	0.45	2198	5.63	2.53	0.45	2334	4.65	2.09	0.45	2422
22	18	6.99	4.26	0.61	1703	6.92	4.22	0.61	1719	6.84	4.17	0.61	1734	6.75	4.12	0.61	1748	6.69	4.08	0.61	1757	6.61	4.03	0.61	1816	6.52	3.98	0.61	1896	6.41	3.91	0.61	2024	6.26	3.82	0.61	2117	6.07	3.71	0.61	2197	5.58	3.40	0.61	2334	4.60	2.81	0.61	2423
22	20	7.20	3.53	0.49	1727	7.13	3.49	0.49	1742	7.05	3.45	0.49	1758	6.96	3.41	0.49	1772	6.89	3.38	0.49	1781	6.82	3.34	0.49	1839	6.72	3.29	0.49	1919	6.60	3.24	0.49	2048	6.45	3.16	0.49	2141	6.26	3.07	0.49	2221	5.75	2.82	0.49	2357	4.74	2.32	0.49	2446
22	22	7.32	2.71	0.37	1743	7.25	2.68	0.37	1759	7.17	2.65	0.37	1774	7.08	2.62	0.37	1788	7.01	2.59	0.37	1797	6.93	2.56	0.37	1856	6.84	2.53	0.37	1936	6.72	2.48	0.37	2064	6.56	2.43	0.37	2157	6.37	2.36	0.37	2237	5.85	2.16	0.37	2374	4.82	1.78	0.37	2463
23	18	7.13	4.63	0.65	1720	7.06	4.59	0.65	1736	6.98	4.54	0.65	1752	6.89	4.48	0.65	1766	6.82	4.44	0.65	1775	6.75	4.39	0.65	1834	6.66	4.33	0.65	1915	6.54	4.25	0.65	2044	6.38	4.15	0.65	2139	6.20	4.03	0.65	2219	5.69	3.70	0.65	2357	4.69	3.05	0.65	2447
23	20	7.35	3.89	0.53	1744	7.27	3.86	0.53	1760	7.19	3.81	0.53	1776	7.10	3.76	0.53	1790	7.03	3.73	0.53	1799	6.96	3.69	0.53	1858	6.86	3.64	0.53	1939	6.74	3.57	0.53	2068	6.58	3.49	0.53	2163	6.39	3.39	0.53	2243	5.86	3.11	0.53	2381	4.84	2.56	0.53	2471
23	22	7.47	3.06	0.41	1761	7.40	3.03	0.41	1776	7.32	3.00	0.41	1792	7.22	2.96	0.41	1806	7.15	2.93	0.41	1815	7.07	2.90	0.41	1874	6.98	2.86	0.41	1955	6.85	2.81	0.41	2085	6.69	2.74	0.41	2179	6.50	2.66	0.41	2259	5.96	2.45	0.41	2397	4.92	2.02	0.41	2487
24	18	7.27	5.02	0.69	1738	7.20	4.97	0.69	1754	7.12	4.92	0.69	1770	7.03	4.85	0.69	1784	6.96	4.80	0.69	1793	6.89	4.75	0.69	1853	6.79	4.69	0.69	1934	6.67	4.60	0.69	2065	6.52	4.50	0.69	2160	6.33	4.36	0.69	2241	5.81	4.01	0.69	2381	4.79	3.31	0.69	2472
24	20	7.50	4.27	0.57	1762	7.42	4.23	0.57	1778	7.34	4.18	0.57	1794	7.25	4.13	0.57	1808	7.18	4.09	0.57	1817	7.10	4.05	0.57	1877	7.00	3.99	0.57	1958	6.88	3.92	0.57	2089	6.71	3.83	0.57	2185	6.52	3.72	0.57	2266	5.98	3.41	0.57	2405	4.94	2.81	0.57	2496
24	22	7.62	3.43	0.45	1778	7.55	3.40	0.45	1794	7.47	3.36	0.45	1810	7.37	3.32	0.45	1825	7.30	3.28	0.45	1834	7.22	3.25	0.45	1893	7.12	3.20	0.45	1975	6.99	3.15	0.45	2106	6.83	3.07	0.45	2201	6.63	2.98	0.45	2282	6.09	2.74	0.45	2422	5.02	2.26	0.45	2513
24	24	7.73	2.55	0.33	1798	7.65	2.53	0.33	1814	7.57	2.50	0.33	1830	7.47	2.47	0.33	1844	7.40	2.44	0.33	1853	7.32	2.42	0.33	1913	7.22	2.38	0.33	1994	7.09	2.34	0.33	2125	6.92	2.29	0.33	2221	6.72	2.22	0.33	2302	6.17	2.04	0.33	2441	5.09	1.68	0.33	2532
25	18	7.50	5.47	0.73	1755	7.42	5.42	0.73	1771	7.34	5.36	0.73	1787	7.25	5.29	0.73	1802	7.18	5.24	0.73	1811	7.10	5.18	0.73	1871	7.00	5.11	0.73	1954	6.88	5.02	0.73	2086	6.72	4.90	0.73	2182	6.52	4.76	0.73	2264	5.99	4.37	0.73	2405	4.94	3.61	0.73	2497
25	20	7.73	4.71	0.61	1780	7.65	4.67	0.61	1796	7.57	4.62	0.61	1812	7.47	4.56	0.61	1826	7.40	4.51	0.61	1836	7.32	4.46	0.61	1896	7.22	4.40	0.61	1978	7.09	4.32	0.61	2110	6.92	4.22	0.61	2207	6.72	4.10	0.61	2289	6.17	3.76	0.61	2430	5.09	3.10	0.61	2521
25	22	7.86	3.85	0.49	1796	7.78	3.81	0.49	1812	7.70	3.77	0.49	1829	7.60	3.72	0.49	1843	7.52	3.69	0.49	1852	7.44	3.65	0.49	1912	7.34	3.60	0.49	1995	7.21	3.53	0.49	2127	7.04	3.45	0.49	2223	6.83	3.35	0.49	2305	6.27	3.07	0.49	2446	5.18	2.54	0.49	2538
25	24	7.97	2.95	0.37	1816	7.89	2.92	0.37	1832	7.81	2.89	0.37	1848	7.70	2.85	0.37	1863	7.63	2.82	0.37	1872	7.55	2.79	0.37	1932	7.44	2.75	0.37	2014	7.31	2.70	0.37	2146	7.14	2.64	0.37	2243	6.93	2.56	0.37	2325	6.36	2.35	0.37	2466	5.25	1.94	0.37	2558
26	18	7.73	5.95	0.77	1773	7.65	5.89	0.77	1789	7.57	5.83	0.77	1806	7.47	5.75	0.77	1820	7.40	5.70	0.77	1829	7.32	5.64	0.77	1890	7.22	5.56	0.77	1973	7.09	5.46	0.77	2107	6.92	5.33	0.77	2204	6.72	5.18	0.77	2287	6.17	4.75	0.77	2429	5.09	3.92	0.77	2522
26	20	7.97	5.18	0.65	1798	7.89	5.13	0.65	1814	7.80	5.07	0.65	1830	7.70	5.01	0.65	1845	7.63	4.96	0.65	1854	7.54	4.90	0.65	1915	7.44	4.84	0.65	1998	7.31	4.75	0.65	2132	7.14	4.64	0.65	2229	6.93	4.50	0.65	2312	6.36	4.13	0.65	2454	5.25	3.41	0.65	2547
26	22	8.10	4.29	0.53	1815	8.02	4.25	0.53	1831	7.94	4.21	0.53	1847	7.83	4.15	0.53	1862	7.76	4.11	0.53	1871	7.67	4.07	0.53	1932	7.57	4.01	0.53	2015	7.43	3.94	0.53	2148	7.26	3.85	0.53	2246	7.05	3.73	0.53	2328	6.47	3.43	0.53	2471	5.34	2.83	0.53	2564
26	24	8.22	3.37	0.41	1834	8.14	3.34	0.41	1851	8.05	3.30	0.41	1867	7.94	3.26	0.41	1882	7.86	3.22	0.41	1891	7.78	3.19	0.41	1952	7.67	3.15	0.41	2035	7.54	3.09	0.41	2168	7.36	3.02	0.41	2266	7.15	2.93	0.41	2348	6.56	2.69	0.41	2491	5.41	2.22	0.41	2583
26	26	8.35	2.42	0.29	1857	8.27	2.40	0.29	1873	8.18	2.37	0.29	1890	8.07	2.34	0.29	1904	7.99	2.32	0.29	1913	7.90	2.29	0.29	1974	7.79	2.26	0.29	2058	7.66	2.22	0.29	2191	7.48	2.17	0.29	2288	7.26	2.11	0.29	2371	6.66	1.93	0.29	2513	5.50	1.59	0.29	2606
27	18	7.89	6.39	0.81	1791	7.81	6.33	0.81	1807	7.73	6.26	0.81	1824	7.63	6.18	0.81	1839	7.55	6.12	0.81	1848	7.47	6.05	0.81	1909	7.37	5.97	0.81	1993	7.24	5.86	0.81	2128	7.07	5.72	0.81	2226	6.86	5.56	0.81	2310	6.30	5.10	0.81	2454	5.20	4.21	0.81	2547
27	20	8.05	6.04	0.75	1801	7.97	5.98	0.75	1817	7.88	5.91	0.75	1834	7.78	5.84	0.75	1849	7.70	5.78	0.75	1858	7.62	5.72	0.75	1919	7.52	5.64	0.75	2003	7.38	5.54	0.75	2138	7.21	5.41	0.75	2236	7.00	5.25	0.75	2320	6.43	4.82	0.75	2464	5.30	3.98	0.75	2557
27	22	8.13	5.61	0.69	1816	8.05	5.55	0.69	1832	7.96	5.49	0.69	1849	7.86	5.42	0.69	1864	7.78	5.37	0.69	1873	7.70	5.31	0.69	1934	7.59	5.24	0.69	2018	7.46	5.15	0.69	2153	7.28	5.02	0.69	2251	7.07	4.88	0.69	2335	6.49	4.48	0.69	2479	5.35	3.69	0.69	2572
27	24	8.27	4.71	0.57	1833	8.19	4.67	0.57	1849	8.10	4.62	0.57	1866	7.99	4.56	0.57	1881	7.91	4.51	0.57	1890	7.83	4.46	0.57	1951	7.72	4.40	0.57	2035	7.58	4.32	0.57	2170	7.41	4.22	0.57	2268	7.19	4.10	0.57	2352	6.60	3.76	0.57	2496	5.45	3.10	0.57	2589
27	26	8.38	3.77	0.45	1853	8.30	3.74	0.45	1869	8.21	3.69	0.45	1886	8.11	3.65	0.45	1901	8.03	3.61	0.45	1910	7.94	3.57	0.45	1971	7.83	3.52	0.45	2055	7.69	3.																		

## 4. CAPACITIES AND SELECTION DATA

PERFORMANCE DATA (Cooling Operation at Rated Frequency)																																																	
AUC-24UR4SJCS																																																	
CAPACITY: 7.0 kW SHF: 0.75 INPUT: 2320 W																																																	
ID DB (°C)	IN WB (°C)	OUTDOOR DB (°C)																																															
		-15		-5		0		5		10		15		20		25		30		35		40		45																									
		Q	SHC	SHF	IPT	Q	SHC	SHF	IPT	Q	SHC	SHF	IPT	Q	SHC	SHF	IPT	Q	SHC	SHF	IPT	Q	SHC	SHF	IPT	Q	SHC	SHF	IPT	Q	SHC	SHF	IPT	Q	SHC	SHF	IPT												
29	18	8.05	7.00	0.87	1827	7.97	6.93	0.87	1844	7.88	6.86	0.87	1860	7.78	6.77	0.87	1875	7.70	6.70	0.87	1885	7.62	6.63	0.87	1948	7.51	6.54	0.87	2033	7.38	6.42	0.87	2171	7.21	6.27	0.87	2271	7.00	6.09	0.87	2356	6.42	5.59	0.87	2503	5.30	4.61	0.87	2599
29	20	8.21	6.32	0.77	1852	8.13	6.26	0.77	1869	8.04	6.19	0.77	1886	7.94	6.11	0.77	1901	7.86	6.05	0.77	1910	7.77	5.99	0.77	1973	7.67	5.90	0.77	2059	7.53	5.80	0.77	2196	7.35	5.66	0.77	2297	7.14	5.50	0.77	2382	6.56	5.05	0.77	2529	5.41	4.16	0.77	2624
29	22	8.38	5.44	0.65	1870	8.29	5.39	0.65	1886	8.20	5.33	0.65	1903	8.10	5.26	0.65	1918	8.02	5.21	0.65	1928	7.93	5.15	0.65	1990	7.82	5.08	0.65	2076	7.68	4.99	0.65	2214	7.50	4.88	0.65	2314	7.28	4.73	0.65	2399	6.69	4.35	0.65	2546	5.52	3.59	0.65	2642
29	24	8.43	4.47	0.53	1890	8.35	4.43	0.53	1907	8.26	4.38	0.53	1924	8.15	4.32	0.53	1939	8.07	4.28	0.53	1948	7.99	4.23	0.53	2011	7.88	4.17	0.53	2097	7.74	4.10	0.53	2234	7.55	4.00	0.53	2334	7.33	3.89	0.53	2420	6.73	3.57	0.53	2566	5.55	2.94	0.53	2662
29	26	8.55	3.51	0.41	1914	8.47	3.47	0.41	1930	8.38	3.43	0.41	1947	8.27	3.39	0.41	1962	8.19	3.36	0.41	1972	8.10	3.32	0.41	2034	7.99	3.27	0.41	2120	7.84	3.22	0.41	2258	7.66	3.14	0.41	2358	7.44	3.05	0.41	2443	6.83	2.80	0.41	2590	5.63	2.31	0.41	2685
30	18	8.13	7.07	0.87	1845	8.05	7.00	0.87	1862	7.96	6.92	0.87	1879	7.86	6.84	0.87	1894	7.78	6.77	0.87	1904	7.70	6.69	0.87	1967	7.59	6.60	0.87	2054	7.45	6.49	0.87	2193	7.28	6.33	0.87	2294	7.07	6.15	0.87	2380	6.49	5.64	0.87	2528	5.35	4.66	0.87	2625
30	20	8.29	6.72	0.81	1871	8.21	6.65	0.81	1888	8.12	6.58	0.81	1905	8.02	6.49	0.81	1920	7.94	6.43	0.81	1930	7.85	6.36	0.81	1993	7.74	6.27	0.81	2080	7.61	6.16	0.81	2218	7.43	6.02	0.81	2320	7.21	5.84	0.81	2406	6.62	5.36	0.81	2554	5.46	4.42	0.81	2650
30	22	8.46	5.84	0.69	1888	8.38	5.78	0.69	1905	8.28	5.72	0.69	1922	8.18	5.64	0.69	1938	8.10	5.59	0.69	1947	8.01	5.53	0.69	2010	7.90	5.45	0.69	2097	7.76	5.35	0.69	2236	7.58	5.23	0.69	2337	7.36	5.08	0.69	2423	6.75	4.66	0.69	2571	5.57	3.84	0.69	2668
30	24	8.52	4.86	0.57	1909	8.43	4.81	0.57	1926	8.34	4.76	0.57	1943	8.24	4.69	0.57	1958	8.15	4.65	0.57	1968	8.07	4.60	0.57	2031	7.95	4.53	0.57	2118	7.81	4.45	0.57	2256	7.63	4.35	0.57	2358	7.41	4.22	0.57	2444	6.80	3.88	0.57	2592	5.61	3.20	0.57	2689
30	26	8.64	3.89	0.45	1933	8.55	3.85	0.45	1950	8.46	3.81	0.45	1967	8.35	3.76	0.45	1982	8.27	3.72	0.45	1991	8.18	3.68	0.45	2055	8.07	3.63	0.45	2141	7.92	3.57	0.45	2280	7.74	3.48	0.45	2382	7.51	3.38	0.45	2468	6.90	3.10	0.45	2616	5.69	2.56	0.45	2712
31	18	8.21	7.14	0.87	1864	8.13	7.07	0.87	1881	8.04	6.99	0.87	1898	7.94	6.90	0.87	1913	7.86	6.84	0.87	1923	7.77	6.76	0.87	1987	7.66	6.67	0.87	2074	7.53	6.55	0.87	2214	7.35	6.40	0.87	2317	7.14	6.21	0.87	2404	6.55	5.70	0.87	2553	5.41	4.70	0.87	2651
31	20	8.38	7.12	0.85	1890	8.29	7.05	0.85	1907	8.20	6.97	0.85	1924	8.10	6.88	0.85	1939	8.02	6.82	0.85	1949	7.93	6.74	0.85	2013	7.82	6.65	0.85	2100	7.68	6.53	0.85	2240	7.50	6.38	0.85	2343	7.28	6.19	0.85	2430	6.69	5.68	0.85	2579	5.52	4.69	0.85	2677
31	22	8.54	6.24	0.73	1907	8.46	6.18	0.73	1924	8.37	6.11	0.73	1941	8.26	6.03	0.73	1957	8.18	5.97	0.73	1967	8.09	5.91	0.73	2030	7.98	5.82	0.73	2118	7.84	5.72	0.73	2258	7.65	5.59	0.73	2361	7.43	5.42	0.73	2448	6.82	4.98	0.73	2597	5.63	4.11	0.73	2695
31	24	8.60	5.25	0.61	1928	8.52	5.20	0.61	1945	8.43	5.14	0.61	1962	8.32	5.07	0.61	1978	8.24	5.02	0.61	1987	8.15	4.97	0.61	2051	8.03	4.90	0.61	2139	7.89	4.81	0.61	2279	7.71	4.70	0.61	2381	7.48	4.56	0.61	2468	6.87	4.19	0.61	2618	5.67	3.46	0.61	2715
31	26	8.72	4.28	0.49	1952	8.64	4.23	0.49	1969	8.54	4.19	0.49	1986	8.43	4.13	0.49	2002	8.35	4.09	0.49	2011	8.26	4.05	0.49	2075	8.15	3.99	0.49	2163	8.00	3.92	0.49	2303	7.81	3.83	0.49	2405	7.59	3.72	0.49	2492	6.96	3.41	0.49	2642	5.75	2.82	0.49	2739
32	18	8.29	7.21	0.87	1882	8.21	7.14	0.87	1899	8.12	7.06	0.87	1917	8.02	6.97	0.87	1932	7.94	6.90	0.87	1942	7.85	6.83	0.87	2007	7.74	6.73	0.87	2095	7.60	6.62	0.87	2237	7.43	6.46	0.87	2340	7.21	6.27	0.87	2428	6.62	5.76	0.87	2579	5.46	4.75	0.87	2677
32	20	8.46	7.36	0.87	1909	8.38	7.29	0.87	1926	8.29	7.21	0.87	1943	8.18	7.12	0.87	1959	8.10	7.05	0.87	1968	8.01	6.97	0.87	2033	7.90	6.87	0.87	2121	7.76	6.75	0.87	2263	7.58	6.59	0.87	2366	7.36	6.40	0.87	2454	6.75	5.88	0.87	2605	5.57	4.85	0.87	2704
32	22	8.63	6.64	0.77	1926	8.54	6.58	0.77	1944	8.45	6.51	0.77	1961	8.34	6.42	0.77	1976	8.26	6.36	0.77	1986	8.17	6.29	0.77	2051	8.06	6.20	0.77	2139	7.91	6.09	0.77	2281	7.73	5.95	0.77	2384	7.50	5.78	0.77	2472	6.89	5.30	0.77	2623	5.68	4.38	0.77	2722
32	24	8.69	5.65	0.65	1947	8.60	5.59	0.65	1965	8.51	5.53	0.65	1982	8.40	5.46	0.65	1997	8.32	5.41	0.65	2007	8.23	5.35	0.65	2072	8.11	5.27	0.65	2160	7.97	5.18	0.65	2302	7.78	5.06	0.65	2405	7.56	4.91	0.65	2493	6.94	4.51	0.65	2644	5.72	3.72	0.65	2743
32	26	8.81	4.67	0.53	1972	8.72	4.62	0.53	1989	8.63	4.57	0.53	2006	8.52	4.51	0.53	2022	8.43	4.47	0.53	2031	8.34	4.42	0.53	2096	8.23	4.36	0.53	2184	8.08	4.28	0.53	2326	7.89	4.18	0.53	2429	7.66	4.06	0.53	2517	7.03	3.73	0.53	2668	5.80	3.08	0.53	2767

**Remarks:**

**Q:** Total Heating / Cooling Capacity (Gross) kW

**INPUT:** Power Input (including the compressor, evap. fan motor & cond. **W DB:** Dry Bulb

Temperature

**WB:** Wet Bulb Temperature

**SHC:** Sensible Heat Capacity

**SHF:** Sensible Heat Factor

## 4. CAPACITIES AND SELECTION DAA

The following charts show the characteristics of outdoor unit capacity, which corresponds with the operating ambient temperature of outdoor unit. Conditions:

② Pipe length / height difference: 5m / 0m ② Indoor fan speed at high fan speed ③ Capacity loss due to white frost and defrost operation is not included.

36K

PERFORMANCE DATA (Cooling Operation at Rated Frequency)																																																	
AUC-36UR4SKKC5																																																	
CAPACITY: 10.0 kW SHF: 0.75 INPUT: 3690 W																																																	
ID DB (°C)	IN WB (°C)	OUTDOOR DB (°C)																																															
		-15		-5		0		5		10		15		20		25		30		35		40		45																									
		Q	SHC	SHF	IPT	Q	SHC	SHF	IPT	Q	SHC	SHF	IPT	Q	SHC	SHF	IPT	Q	SHC	SHF	IPT	Q	SHC	SHF	IPT	Q	SHC	SHF	IPT	Q	SHC	SHF	IPT	Q	SHC	SHF	IPT	Q	SHC	SHF	IPT								
21	18	9.68	5.52	0.57	2687	9.58	5.46	0.57	2712	9.48	5.40	0.57	2737	9.36	5.33	0.57	2759	9.27	5.28	0.57	2773	9.17	5.22	0.57	2865	9.04	5.15	0.57	2991	8.88	5.06	0.57	3192	8.67	4.94	0.57	3340	8.42	4.80	0.57	3465	7.73	4.40	0.57	3680	6.38	3.63	0.57	3820
21	20	10.08	4.54	0.45	2711	9.98	4.49	0.45	2735	9.87	4.44	0.45	2760	9.74	4.39	0.45	2782	9.65	4.34	0.45	2796	9.54	4.29	0.45	2888	9.41	4.24	0.45	3014	9.24	4.16	0.45	3216	9.03	4.06	0.45	3363	8.77	3.94	0.45	3488	8.05	3.62	0.45	3704	6.64	2.99	0.45	3844
22	18	9.98	6.09	0.61	2714	9.88	6.03	0.61	2739	9.77	5.96	0.61	2764	9.65	5.89	0.61	2787	9.55	5.83	0.61	2801	9.45	5.76	0.61	2893	9.32	5.68	0.61	3021	9.15	5.58	0.61	3224	8.94	5.45	0.61	3373	8.68	5.29	0.61	3500	7.97	4.86	0.61	3717	6.57	4.01	0.61	3859
22	20	10.29	5.04	0.49	2738	10.18	4.99	0.49	2763	10.07	4.94	0.49	2788	9.94	4.87	0.49	2810	9.85	4.82	0.49	2824	9.74	4.77	0.49	2917	9.60	4.71	0.49	3045	9.43	4.62	0.49	3248	9.21	4.51	0.49	3397	8.94	4.38	0.49	3523	8.21	4.02	0.49	3741	6.77	3.32	0.49	3883
22	22	10.46	3.87	0.37	2754	10.36	3.83	0.37	2779	10.24	3.79	0.37	2804	10.11	3.74	0.37	2826	10.01	3.70	0.37	2841	9.90	3.66	0.37	2933	9.77	3.61	0.37	3061	9.59	3.55	0.37	3264	9.37	3.47	0.37	3413	9.10	3.37	0.37	3540	8.35	3.09	0.37	3757	6.89	2.55	0.37	3899
23	18	10.18	6.62	0.65	2742	10.08	6.55	0.65	2767	9.97	6.48	0.65	2792	9.85	6.40	0.65	2815	9.75	6.34	0.65	2829	9.64	6.27	0.65	2923	9.51	6.18	0.65	3051	9.34	6.07	0.65	3257	9.12	5.93	0.65	3407	8.86	5.76	0.65	3535	8.13	5.28	0.65	3755	6.71	4.36	0.65	3898
23	20	10.50	5.56	0.53	2766	10.39	5.51	0.53	2791	10.28	5.45	0.53	2816	10.15	5.38	0.53	2839	10.05	5.32	0.53	2853	9.94	5.27	0.53	2947	9.80	5.19	0.53	3075	9.63	5.10	0.53	3281	9.40	4.98	0.53	3431	9.13	4.84	0.53	3559	8.38	4.44	0.53	3779	6.91	3.66	0.53	3922
23	22	10.67	4.38	0.41	2782	10.57	4.33	0.41	2807	10.45	4.29	0.41	2832	10.32	4.23	0.41	2855	10.22	4.19	0.41	2869	10.11	4.14	0.41	2963	9.97	4.09	0.41	3092	9.79	4.01	0.41	3297	9.56	3.92	0.41	3448	9.28	3.81	0.41	3575	8.52	3.49	0.41	3795	7.03	2.88	0.41	3938
24	18	10.39	7.17	0.69	2770	10.29	7.10	0.69	2795	10.18	7.02	0.69	2820	10.05	6.93	0.69	2843	9.95	6.86	0.69	2857	9.84	6.79	0.69	2952	9.70	6.69	0.69	3082	9.53	6.58	0.69	3290	9.31	6.42	0.69	3442	9.04	6.24	0.69	3571	8.30	5.72	0.69	3793	6.84	4.72	0.69	3937
24	20	10.71	6.10	0.57	2794	10.60	6.04	0.57	2819	10.49	5.98	0.57	2845	10.35	5.90	0.57	2867	10.25	5.84	0.57	2882	10.14	5.78	0.57	2976	10.00	5.70	0.57	3106	9.82	5.60	0.57	3314	9.59	5.47	0.57	3466	9.31	5.31	0.57	3595	8.55	4.87	0.57	3817	7.05	4.02	0.57	3961
24	22	10.89	4.90	0.45	2810	10.78	4.85	0.45	2836	10.67	4.80	0.45	2861	10.53	4.74	0.45	2884	10.43	4.69	0.45	2898	10.31	4.64	0.45	2993	10.17	4.58	0.45	3123	9.99	4.50	0.45	3331	9.76	4.39	0.45	3483	9.47	4.26	0.45	3611	8.69	3.91	0.45	3833	7.17	3.23	0.45	3978
24	24	11.04	3.64	0.33	2830	10.93	3.61	0.33	2855	10.82	3.57	0.33	2880	10.68	3.52	0.33	2903	10.57	3.49	0.33	2918	10.46	3.45	0.33	3012	10.31	3.40	0.33	3142	10.13	3.34	0.33	3350	9.89	3.26	0.33	3502	9.60	3.17	0.33	3631	8.82	2.91	0.33	3853	7.27	2.40	0.33	3997
25	18	10.71	7.82	0.73	2798	10.61	7.74	0.73	2823	10.49	7.66	0.73	2849	10.36	7.56	0.73	2872	10.25	7.49	0.73	2886	10.14	7.40	0.73	2982	10.00	7.30	0.73	3113	9.83	7.17	0.73	3323	9.60	7.00	0.73	3477	9.32	6.80	0.73	3607	8.55	6.24	0.73	3831	7.06	5.15	0.73	3977
25	20	11.04	6.73	0.61	2822	10.93	6.67	0.61	2848	10.81	6.60	0.61	2873	10.67	6.51	0.61	2896	10.57	6.45	0.61	2911	10.45	6.38	0.61	3007	10.31	6.29	0.61	3138	10.13	6.18	0.61	3348	9.89	6.03	0.61	3501	9.60	5.86	0.61	3631	8.81	5.38	0.61	3855	7.27	4.44	0.61	4001
25	22	11.23	5.50	0.49	2839	11.12	5.45	0.49	2864	11.00	5.39	0.49	2890	10.86	5.32	0.49	2913	10.75	5.27	0.49	2927	10.63	5.21	0.49	3023	10.48	5.14	0.49	3154	10.30	5.05	0.49	3364	10.06	4.93	0.49	3518	9.76	4.78	0.49	3648	8.96	4.39	0.49	3872	7.39	3.62	0.49	4018
25	24	11.39	4.21	0.37	2858	11.27	4.17	0.37	2884	11.15	4.13	0.37	2910	11.01	4.07	0.37	2933	10.90	4.03	0.37	2947	10.78	3.99	0.37	3043	10.63	3.93	0.37	3174	10.44	3.86	0.37	3384	10.20	3.77	0.37	3537	9.90	3.66	0.37	3668	9.09	3.36	0.37	3892	7.50	2.77	0.37	4038
26	18	11.04	8.50	0.77	2826	10.93	8.42	0.77	2852	10.82	8.33	0.77	2878	10.68	8.22	0.77	2901	10.57	8.14	0.77	2915	10.46	8.05	0.77	3012	10.31	7.94	0.77	3145	10.13	7.80	0.77	3357	9.89	7.62	0.77	3512	9.60	7.40	0.77	3643	8.82	6.79	0.77	3870	7.27	5.60	0.77	4017
26	20	11.38	7.40	0.65	2851	11.27	7.33	0.65	2876	11.15	7.25	0.65	2902	11.00	7.15	0.65	2926	10.89	7.08	0.65	2940	10.78	7.00	0.65	3037	10.63	6.91	0.65	3169	10.44	6.79	0.65	3381	10.19	6.63	0.65	3536	9.90	6.43	0.65	3668	9.09	5.91	0.65	3894	7.50	4.87	0.65	4042
26	22	11.58	6.14	0.53	2867	11.46	6.07	0.53	2893	11.34	6.01	0.53	2919	11.19	5.93	0.53	2942	11.08	5.87	0.53	2957	10.96	5.81	0.53	3054	10.81	5.73	0.53	3186	10.62	5.63	0.53	3398	10.37	5.50	0.53	3553	10.07	5.34	0.53	3685	9.24	4.90	0.53	3911	7.62	4.04	0.53	4059
26	24	11.74	4.81	0.41	2887	11.62	4.76	0.41	2913	11.50	4.71	0.41	2939	11.35	4.65	0.41	2962	11.24	4.61	0.41	2977	11.11	4.56	0.41	3074	10.96	4.49	0.41	3206	10.77	4.41	0.41	3418	10.51	4.31	0.41	3573	10.21	4.18	0.41	3705	9.37	3.84	0.41	3931	7.73	3.17	0.41	4078
26	26	11.93	3.46	0.29	2910	11.81	3.42	0.29	2936	11.68	3.39	0.29	2962	11.53	3.34	0.29	2985	11.41	3.31	0.29	3000	11.29	3.27	0.29	3096	11.13	3.23	0.29	3229	10.94	3.17	0.29	3441	10.68	3.10	0.29	3596	10.37	3.01	0.29	3727	9.52	2.76	0.29	3954	7.85	2.28	0.29	4101
27	18	11.27	9.13	0.81	2854	11.16	9.04	0.81	2880	11.04	8.94	0.81	2907	10.89	8.82	0.81	2930	10.79	8.74	0.81	2945	10.67	8.64	0.81	3043	10.52	8.52	0.81	3176	10.34	8.37	0.81	3391	10.09	8.18	0.81	3547	9.80	7.94	0.81	3680	9.00	7.29	0.81	3909	7.42	6.01	0.81	4058
27	20	11.50	8.62	0.75	2864	11.39	8.54	0.75	2890	11.26	8.45	0.75	2917	11.12	8.34	0.75	2940	11.01	8.26	0.75	2955	10.89	8.17	0.75	3053	10.74	8.05	0.75	3186	10.55	7.91	0.75	3401	10.30	7.73	0.75	3557	10.00	7.50	0.75	3690	9.18	6.89	0.75	3919	7.57	5.68	0.75	4068
27	22	11.61	8.01	0.69	2879	11.50	7.93	0.69	2905	11.37	7.85	0.69	2932	11.23	7.75	0.69	2955	11.12	7.67	0.69	2970	11.00	7.59	0.69	3068	10.84	7.48	0.69	3201	10.65	7.35	0.69	3416	10.40	7.18	0.69	3572	10.10	6.97	0.69	3705	9.27	6.40	0.69	3934	7.65	5.28	0.69	4083
27	24	11.81	6.73	0.57	2896	11.69	6.67	0.57	2922	11.57	6.59	0.57	2949	11.42	6.51	0.57	2972	11.31	6.44	0.57	2987	11.18	6.37	0.57	3085	11.03	6.29	0.57	3218	10.83	6.18	0.57	3433	10.58	6.03	0.57	3589	10.27	5.85	0.57	3722	9.43	5.37	0.57	3951	7.78	4.43	0.57	4100
27	26	11.98	5.39	0.45	2916	11.86	5.34	0.45	2942	11.73	5.																																						

## 4. CAPACITIES AND SELECTION DATA

PERFORMANCE DATA (Cooling Operation at Rated Frequency)																																																	
AUC-36UR4SKKC5																																																	
CAPACITY: 10.0 kW SHF: 0.75 INPUT: 3690 W																																																	
ID DB (°C)	IN WB (°C)	OUTDOOR DB (°C)																																															
		-15		-5		0		5		10		15		20		25		30		35		40		45																									
		Q	SHC	SHF	IPT	Q	SHC	SHF	IPT	Q	SHC	SHF	IPT	Q	SHC	SHF	IPT	Q	SHC	SHF	IPT	Q	SHC	SHF	IPT	Q	SHC	SHF	IPT	Q	SHC	SHF	IPT	Q	SHC	SHF	IPT	Q	SHC	SHF	IPT								
29	18	11.50	10.00	0.87	2912	11.38	9.90	0.87	2938	11.26	9.79	0.87	2965	11.11	9.67	0.87	2989	11.00	9.57	0.87	3004	10.88	9.47	0.87	3104	10.73	9.34	0.87	3240	10.54	9.17	0.87	3459	10.30	8.96	0.87	3618	10.00	8.70	0.87	3754	9.18	7.98	0.87	3987	7.57	6.59	0.87	4139
29	20	11.73	9.03	0.77	2937	11.61	8.94	0.77	2964	11.49	8.85	0.77	2991	11.34	8.73	0.77	3015	11.23	8.65	0.77	3030	11.11	8.55	0.77	3129	10.95	8.43	0.77	3266	10.76	8.28	0.77	3484	10.51	8.09	0.77	3644	10.20	7.85	0.77	3779	9.36	7.21	0.77	4013	7.73	5.95	0.77	4165
29	22	11.97	7.78	0.65	2955	11.85	7.70	0.65	2981	11.72	7.62	0.65	3008	11.57	7.52	0.65	3032	11.45	7.44	0.65	3047	11.33	7.36	0.65	3147	11.17	7.26	0.65	3283	10.97	7.13	0.65	3502	10.72	6.97	0.65	3661	10.41	6.76	0.65	3797	9.55	6.21	0.65	4030	7.88	5.12	0.65	4182
29	24	12.05	6.39	0.53	2975	11.93	6.32	0.53	3001	11.80	6.25	0.53	3028	11.65	6.17	0.53	3052	11.53	6.11	0.53	3067	11.41	6.05	0.53	3167	11.25	5.96	0.53	3303	11.05	5.86	0.53	3522	10.79	5.72	0.53	3682	10.48	5.55	0.53	3817	9.62	5.10	0.53	4051	7.94	4.21	0.53	4202
29	26	12.22	5.01	0.41	2998	12.10	4.96	0.41	3025	11.97	4.91	0.41	3052	11.81	4.84	0.41	3076	11.69	4.79	0.41	3091	11.57	4.74	0.41	3190	11.41	4.68	0.41	3327	11.21	4.59	0.41	3546	10.94	4.49	0.41	3705	10.62	4.36	0.41	3841	9.75	4.00	0.41	4074	8.05	3.30	0.41	4226
30	18	11.61	10.10	0.87	2941	11.50	10.00	0.87	2968	11.37	9.89	0.87	2995	11.22	9.77	0.87	3019	11.11	9.67	0.87	3034	10.99	9.56	0.87	3135	10.84	9.43	0.87	3273	10.65	9.27	0.87	3493	10.40	9.05	0.87	3655	10.10	8.78	0.87	3792	9.27	8.06	0.87	4027	7.65	6.65	0.87	4181
30	20	11.85	9.60	0.81	2967	11.73	9.50	0.81	2993	11.60	9.40	0.81	3020	11.45	9.28	0.81	3045	11.34	9.19	0.81	3060	11.22	9.09	0.81	3161	11.06	8.96	0.81	3298	10.87	8.80	0.81	3519	10.61	8.60	0.81	3680	10.30	8.35	0.81	3817	9.46	7.66	0.81	4053	7.80	6.32	0.81	4206
30	22	12.08	8.34	0.69	2984	11.97	8.26	0.69	3011	11.84	8.17	0.69	3038	11.68	8.06	0.69	3062	11.57	7.98	0.69	3077	11.44	7.89	0.69	3178	11.28	7.79	0.69	3316	11.08	7.65	0.69	3537	10.82	7.47	0.69	3698	10.51	7.25	0.69	3835	9.65	6.66	0.69	4070	7.96	5.49	0.69	4224
30	24	12.17	6.94	0.57	3005	12.05	6.87	0.57	3032	11.92	6.79	0.57	3059	11.77	6.71	0.57	3083	11.65	6.64	0.57	3098	11.52	6.57	0.57	3199	11.36	6.48	0.57	3337	11.16	6.36	0.57	3557	10.90	6.21	0.57	3719	10.58	6.03	0.57	3855	9.72	5.54	0.57	4091	8.01	4.57	0.57	4245
30	26	12.34	5.55	0.45	3028	12.22	5.50	0.45	3055	12.09	5.44	0.45	3082	11.93	5.37	0.45	3106	11.81	5.32	0.45	3122	11.68	5.26	0.45	3222	11.52	5.18	0.45	3360	11.32	5.09	0.45	3581	11.05	4.97	0.45	3742	10.73	4.83	0.45	3879	9.85	4.43	0.45	4115	8.13	3.66	0.45	4268
31	18	11.73	10.20	0.87	2970	11.61	10.10	0.87	2997	11.48	9.99	0.87	3025	11.34	9.86	0.87	3049	11.22	9.77	0.87	3064	11.10	9.66	0.87	3166	10.95	9.53	0.87	3305	10.76	9.36	0.87	3528	10.50	9.14	0.87	3691	10.20	8.87	0.87	3829	9.36	8.14	0.87	4067	7.72	6.72	0.87	4222
31	20	11.97	10.17	0.85	2996	11.85	10.07	0.85	3023	11.72	9.96	0.85	3051	11.57	9.83	0.85	3075	11.45	9.74	0.85	3090	11.33	9.63	0.85	3192	11.17	9.50	0.85	3331	10.98	9.33	0.85	3554	10.72	9.11	0.85	3717	10.41	8.85	0.85	3855	9.55	8.12	0.85	4094	7.88	6.70	0.85	4248
31	22	12.21	8.91	0.73	3014	12.08	8.82	0.73	3041	11.95	8.73	0.73	3068	11.80	8.61	0.73	3093	11.68	8.53	0.73	3108	11.56	8.44	0.73	3210	11.40	8.32	0.73	3349	11.19	8.17	0.73	3572	10.93	7.98	0.73	3735	10.61	7.75	0.73	3873	9.74	7.11	0.73	4111	8.04	5.87	0.73	4266
31	24	12.29	7.50	0.61	3035	12.17	7.42	0.61	3062	12.04	7.34	0.61	3089	11.88	7.25	0.61	3114	11.77	7.18	0.61	3129	11.64	7.10	0.61	3231	11.48	7.00	0.61	3370	11.27	6.88	0.61	3593	11.01	6.72	0.61	3756	10.69	6.52	0.61	3894	9.81	5.99	0.61	4132	8.10	4.94	0.61	4287
31	26	12.46	6.11	0.49	3059	12.34	6.05	0.49	3086	12.21	5.98	0.49	3113	12.05	5.90	0.49	3138	11.93	5.85	0.49	3153	11.80	5.78	0.49	3255	11.64	5.70	0.49	3394	11.43	5.60	0.49	3617	11.16	5.47	0.49	3780	10.84	5.31	0.49	3918	9.95	4.88	0.49	4156	8.21	4.02	0.49	4311
32	18	11.84	10.30	0.87	3000	11.73	10.20	0.87	3027	11.60	10.09	0.87	3055	11.45	9.96	0.87	3080	11.34	9.86	0.87	3095	11.21	9.76	0.87	3198	11.06	9.62	0.87	3338	10.86	9.45	0.87	3564	10.61	9.23	0.87	3728	10.30	8.96	0.87	3868	9.46	8.23	0.87	4108	7.80	6.79	0.87	4265
32	20	12.09	10.51	0.87	3026	11.97	10.41	0.87	3054	11.84	10.30	0.87	3081	11.68	10.17	0.87	3106	11.57	10.06	0.87	3121	11.44	9.96	0.87	3224	11.28	9.82	0.87	3365	11.09	9.64	0.87	3590	10.83	9.42	0.87	3754	10.51	9.14	0.87	3894	9.65	8.39	0.87	4134	7.96	6.93	0.87	4291
32	22	12.33	9.49	0.77	3044	12.21	9.40	0.77	3071	12.07	9.30	0.77	3099	11.92	9.18	0.77	3124	11.80	9.09	0.77	3139	11.67	8.99	0.77	3242	11.51	8.86	0.77	3383	11.31	8.71	0.77	3608	11.04	8.50	0.77	3772	10.72	8.25	0.77	3912	9.84	7.58	0.77	4152	8.12	6.25	0.77	4309
32	24	12.41	8.07	0.65	3065	12.29	7.99	0.65	3092	12.16	7.90	0.65	3120	12.00	7.80	0.65	3145	11.88	7.72	0.65	3160	11.75	7.64	0.65	3263	11.59	7.53	0.65	3404	11.39	7.40	0.65	3629	11.12	7.23	0.65	3793	10.80	7.02	0.65	3933	9.91	6.44	0.65	4173	8.18	5.31	0.65	4330
32	26	12.59	6.67	0.53	3089	12.46	6.61	0.53	3117	12.33	6.53	0.53	3144	12.17	6.45	0.53	3169	12.05	6.39	0.53	3184	11.92	6.32	0.53	3287	11.75	6.23	0.53	3428	11.55	6.12	0.53	3653	11.28	5.98	0.53	3817	10.95	5.80	0.53	3957	10.05	5.33	0.53	4198	8.29	4.39	0.53	4354

**Remarks:**

**Q:** Total Heating / Cooling Capacity (Gross) kW

**INPUT:** Power Input (including the compressor, evap. fan motor & cond. **W DB:** Dry Bulb

Temperature

**WB:** Wet Bulb Temperature

**SHC:** Sensible Heat Capacity

**SHF:** Sensible Heat Factor

## 4. CAPACITIES AND SELECTION DATA

The following charts show the characteristics of outdoor unit capacity, which corresponds with the operating ambient temperature of outdoor unit. Conditions:

① Pipe length / height difference: 5m / 0m ② Indoor fan speed at high fan speed ③ Capacity loss due to white frost and defrost operation is not included.

48K

PERFORMANCE DATA (Cooling Operation at Rated Frequency)																																																	
AUC-48UR6SNKC5																																																	
CAPACITY: 13.5 kW SHF: 0.75 INPUT: 5625W																																																	
ID DB (°C)	IN WB (°C)	OUTDOOR DB (°C)																																															
		-15		-5		0		5		10		15		20		25		30		35		40		45																									
		Q	SHC	SHF	IPT	Q	SHC	SHF	IPT	Q	SHC	SHF	IPT	Q	SHC	SHF	IPT	Q	SHC	SHF	IPT	Q	SHC	SHF	IPT	Q	SHC	SHF	IPT	Q	SHC	SHF	IPT	Q	SHC	SHF	IPT	Q	SHC	SHF	IPT								
21	18	13.07	7.45	0.57	4101	12.94	7.38	0.57	4139	12.80	7.30	0.57	4176	12.63	7.20	0.57	4210	12.51	7.13	0.57	4231	12.37	7.05	0.57	4372	12.20	6.96	0.57	4564	11.99	6.83	0.57	4871	11.71	6.67	0.57	5096	11.36	6.48	0.57	5286	10.43	5.95	0.57	5615	8.61	4.91	0.57	5828
21	20	13.61	6.12	0.45	4125	13.47	6.06	0.45	4162	13.33	6.00	0.45	4200	13.16	5.92	0.45	4234	13.02	5.86	0.45	4255	12.88	5.80	0.45	4395	12.71	5.72	0.45	4587	12.48	5.62	0.45	4895	12.19	5.48	0.45	5119	11.83	5.32	0.45	5310	10.86	4.89	0.45	5638	8.96	4.03	0.45	5852
22	18	13.47	8.22	0.61	4143	13.34	8.14	0.61	4181	13.19	8.05	0.61	4219	13.02	7.95	0.61	4253	12.90	7.87	0.61	4274	12.76	7.78	0.61	4416	12.58	7.67	0.61	4610	12.36	7.54	0.61	4920	12.07	7.36	0.61	5147	11.72	7.15	0.61	5340	10.76	6.56	0.61	5671	8.87	5.41	0.61	5887
22	20	13.89	6.80	0.49	4167	13.75	6.74	0.49	4204	13.60	6.66	0.49	4242	13.42	6.58	0.49	4276	13.29	6.51	0.49	4298	13.15	6.44	0.49	4440	12.96	6.35	0.49	4634	12.74	6.24	0.49	4944	12.44	6.09	0.49	5171	12.07	5.92	0.49	5364	11.08	5.43	0.49	5695	9.14	4.48	0.49	5911
22	22	14.12	5.22	0.37	4183	13.98	5.17	0.37	4221	13.83	5.12	0.37	4259	13.65	5.05	0.37	4293	13.52	5.00	0.37	4314	13.37	4.95	0.37	4456	13.19	4.88	0.37	4650	12.95	4.79	0.37	4960	12.65	4.68	0.37	5187	12.28	4.54	0.37	5380	11.27	4.17	0.37	5711	9.30	3.44	0.37	5927
23	18	13.75	8.94	0.65	4185	13.61	8.85	0.65	4223	13.46	8.75	0.65	4261	13.29	8.64	0.65	4296	13.16	8.55	0.65	4317	13.02	8.46	0.65	4460	12.84	8.34	0.65	4656	12.61	8.20	0.65	4970	12.31	8.00	0.65	5199	11.96	7.77	0.65	5394	10.97	7.13	0.65	5729	9.05	5.89	0.65	5947
23	20	14.17	7.51	0.53	4209	14.03	7.44	0.53	4247	13.88	7.35	0.53	4285	13.70	7.26	0.53	4320	13.56	7.19	0.53	4341	13.41	7.11	0.53	4484	13.23	7.01	0.53	4680	13.00	6.89	0.53	4994	12.69	6.73	0.53	5223	12.32	6.53	0.53	5418	11.31	5.99	0.53	5753	9.33	4.95	0.53	5971
23	22	14.41	5.91	0.41	4225	14.27	5.85	0.41	4263	14.11	5.79	0.41	4302	13.93	5.71	0.41	4336	13.79	5.65	0.41	4358	13.64	5.59	0.41	4501	13.45	5.52	0.41	4697	13.22	5.42	0.41	5010	12.91	5.29	0.41	5240	12.53	5.14	0.41	5434	11.50	4.72	0.41	5769	9.49	3.89	0.41	5987
24	18	14.03	9.68	0.69	4227	13.89	9.58	0.69	4265	13.74	9.48	0.69	4304	13.56	9.36	0.69	4339	13.43	9.27	0.69	4361	13.28	9.16	0.69	4505	13.10	9.04	0.69	4703	12.87	8.88	0.69	5020	12.57	8.67	0.69	5252	12.20	8.42	0.69	5448	11.20	7.73	0.69	5787	9.24	6.37	0.69	6007
24	20	14.46	8.24	0.57	4251	14.31	8.16	0.57	4290	14.16	8.07	0.57	4329	13.98	7.97	0.57	4363	13.84	7.89	0.57	4385	13.69	7.80	0.57	4530	13.50	7.69	0.57	4728	13.26	7.56	0.57	5044	12.95	7.38	0.57	5276	12.57	7.17	0.57	5472	11.54	6.58	0.57	5811	9.52	5.43	0.57	6031
24	22	14.70	6.62	0.45	4268	14.56	6.55	0.45	4306	14.40	6.48	0.45	4345	14.21	6.40	0.45	4380	14.07	6.33	0.45	4402	13.92	6.26	0.45	4546	13.73	6.18	0.45	4744	13.49	6.07	0.45	5061	13.17	5.93	0.45	5292	12.79	5.75	0.45	5489	11.74	5.28	0.45	5827	9.68	4.36	0.45	6048
24	24	14.91	4.92	0.33	4287	14.76	4.87	0.33	4326	14.60	4.82	0.33	4364	14.41	4.76	0.33	4399	14.27	4.71	0.33	4421	14.12	4.66	0.33	4566	13.92	4.59	0.33	4764	13.67	4.51	0.33	5080	13.35	4.41	0.33	5312	12.97	4.28	0.33	5508	11.90	3.93	0.33	5847	9.82	3.24	0.33	6067
25	18	14.46	10.56	0.73	4270	14.32	10.45	0.73	4309	14.16	10.34	0.73	4348	13.98	10.21	0.73	4383	13.84	10.11	0.73	4405	13.69	10.00	0.73	4551	13.50	9.86	0.73	4751	13.26	9.68	0.73	5071	12.95	9.46	0.73	5305	12.58	9.18	0.73	5503	11.55	8.43	0.73	5845	9.52	6.95	0.73	6068
25	20	14.90	9.09	0.61	4294	14.76	9.00	0.61	4333	14.60	8.90	0.61	4372	14.41	8.79	0.61	4407	14.27	8.70	0.61	4429	14.11	8.61	0.61	4575	13.92	8.49	0.61	4775	13.67	8.34	0.61	5095	13.35	8.14	0.61	5329	12.96	7.91	0.61	5528	11.90	7.26	0.61	5870	9.82	5.99	0.61	6092
25	22	15.16	7.43	0.49	4311	15.01	7.35	0.49	4350	14.84	7.27	0.49	4389	14.65	7.18	0.49	4424	14.51	7.11	0.49	4446	14.35	7.03	0.49	4592	14.15	6.94	0.49	4792	13.90	6.81	0.49	5112	13.58	6.65	0.49	5346	13.18	6.46	0.49	5544	12.10	5.93	0.49	5886	9.98	4.89	0.49	6109
25	24	15.37	5.69	0.37	4330	15.22	5.63	0.37	4369	15.05	5.57	0.37	4409	14.86	5.50	0.37	4444	14.71	5.44	0.37	4466	14.55	5.38	0.37	4612	14.35	5.31	0.37	4812	14.10	5.22	0.37	5132	13.77	5.09	0.37	5366	13.37	4.95	0.37	5564	12.27	4.54	0.37	5906	10.12	3.75	0.37	6128
26	18	14.91	11.48	0.77	4313	14.76	11.37	0.77	4352	14.60	11.24	0.77	4392	14.41	11.10	0.77	4427	14.27	10.99	0.77	4449	14.12	10.87	0.77	4597	13.92	10.72	0.77	4799	13.67	10.53	0.77	5122	13.35	10.28	0.77	5358	12.97	9.98	0.77	5559	11.90	9.16	0.77	5904	9.82	7.56	0.77	6129
26	20	15.37	9.99	0.65	4338	15.21	9.89	0.65	4377	15.05	9.78	0.65	4416	14.86	9.66	0.65	4452	14.71	9.56	0.65	4474	14.55	9.46	0.65	4622	14.35	9.33	0.65	4824	14.09	9.16	0.65	5147	13.76	8.95	0.65	5383	13.36	8.69	0.65	5584	12.27	7.97	0.65	5929	10.12	6.58	0.65	6154
26	22	15.63	8.28	0.53	4354	15.47	8.20	0.53	4394	15.30	8.11	0.53	4433	15.11	8.01	0.53	4469	14.96	7.93	0.53	4491	14.80	7.84	0.53	4638	14.59	7.73	0.53	4840	14.33	7.60	0.53	5164	14.00	7.42	0.53	5400	13.59	7.20	0.53	5600	12.48	6.61	0.53	5946	10.29	5.45	0.53	6170
26	24	15.85	6.50	0.41	4374	15.69	6.43	0.41	4413	15.52	6.36	0.41	4453	15.32	6.28	0.41	4489	15.17	6.22	0.41	4511	15.00	6.15	0.41	4658	14.80	6.07	0.41	4860	14.53	5.96	0.41	5184	14.19	5.82	0.41	5420	13.78	5.65	0.41	5620	12.65	5.19	0.41	5965	10.44	4.28	0.41	6190
26	26	16.10	4.67	0.29	4397	15.94	4.62	0.29	4436	15.77	4.57	0.29	4476	15.56	4.51	0.29	4511	15.41	4.47	0.29	4534	15.24	4.42	0.29	4681	15.03	4.36	0.29	4883	14.77	4.28	0.29	5206	14.42	4.18	0.29	5443	14.00	4.06	0.29	5643	12.85	3.73	0.29	5988	10.60	3.07	0.29	6213
27	18	15.21	12.32	0.81	4356	15.06	12.20	0.81	4396	14.90	12.07	0.81	4436	14.71	11.91	0.81	4472	14.56	11.80	0.81	4494	14.40	11.67	0.81	4643	14.21	11.51	0.81	4847	13.95	11.30	0.81	5174	13.63	11.04	0.81	5413	13.23	10.72	0.81	5615	12.15	9.84	0.81	5964	10.02	8.12	0.81	6191
27	20	15.52	11.64	0.75	4366	15.37	11.53	0.75	4406	15.20	11.40	0.75	4446	15.01	11.26	0.75	4482	14.86	11.14	0.75	4504	14.70	11.02	0.75	4653	14.50	10.87	0.75	4857	14.24	10.68	0.75	5184	13.91	10.43	0.75	5423	13.50	10.13	0.75	5625	12.39	9.29	0.75	5974	10.22	7.67	0.75	6201
27	22	15.68	10.82	0.69	4381	15.52	10.71	0.69	4421	15.36	10.60	0.69	4461	15.16	10.46	0.69	4497	15.01	10.36	0.69	4519	14.84	10.24	0.69	4668	14.64	10.10	0.69	4872	14.38	9.92	0.69	5199	14.04	9.69	0.69	5438	13.64	9.41	0.69	5640	12.52	8.64	0.69	5989	10.33	7.13	0.69	6216
27	24	15.95	9.09	0.57	4398	15.79	9.00	0.57	4438	15.62	8.90	0.57	4478	15.42	8.79	0.57	4514	15.26	8.70	0.57	4536	15.10	8.61	0.57	4685	14.89	8.49	0.57	4889	14.63	8.34	0.57	5216	14.28	8.14	0.57	5455	13.87	7.90	0.57	5657	12.73	7.26	0.					

## 4. CAPACITIES AND SELECTION DATA

PERFORMANCE DATA (Cooling Operation at Rated Frequency)																																																	
AUC-48UR6SNKC5																																																	
CAPACITY: 13.5 kW SHF: 0.75 INPUT: 5625W																																																	
ID DB (°C)	IN WB (°C)	OUTDOOR DB (°C)																																															
		-15			-5			0			5			10			15			20			25			30			35			40			45														
		Q	SHC	SHF	IPT	Q	SHC	SHF	IPT	Q	SHC	SHF	IPT	Q	SHC	SHF	IPT	Q	SHC	SHF	IPT	Q	SHC	SHF	IPT	Q	SHC	SHF	IPT	Q	SHC	SHF	IPT	Q	SHC	SHF	IPT	Q	SHC	SHF	IPT								
29	18	15.52	13.50	0.87	4444	15.37	13.37	0.87	4484	15.20	13.22	0.87	4525	15.00	13.05	0.87	4562	14.86	12.92	0.87	4585	14.69	12.78	0.87	4737	14.49	12.61	0.87	4945	14.23	12.38	0.87	5278	13.90	12.09	0.87	5521	13.50	11.74	0.87	5728	12.39	10.78	0.87	6084	10.22	8.89	0.87	6315
29	20	15.84	12.19	0.77	4469	15.68	12.07	0.77	4510	15.51	11.94	0.77	4551	15.31	11.79	0.77	4587	15.16	11.67	0.77	4610	14.99	11.54	0.77	4762	14.79	11.39	0.77	4970	14.52	11.18	0.77	5303	14.18	10.92	0.77	5547	13.77	10.60	0.77	5753	12.64	9.73	0.77	6109	10.43	8.03	0.77	6341
29	22	16.15	10.50	0.65	4487	15.99	10.40	0.65	4527	15.82	10.28	0.65	4568	15.62	10.15	0.65	4605	15.46	10.05	0.65	4628	15.29	9.94	0.65	4779	15.08	9.80	0.65	4988	14.82	9.63	0.65	5321	14.47	9.40	0.65	5564	14.05	9.13	0.65	5771	12.89	8.38	0.65	6126	10.64	6.91	0.65	6358
29	24	16.27	8.62	0.53	4507	16.11	8.54	0.53	4548	15.93	8.44	0.53	4588	15.73	8.33	0.53	4625	15.57	8.25	0.53	4648	15.40	8.16	0.53	4800	15.19	8.05	0.53	5008	14.92	7.91	0.53	5341	14.57	7.72	0.53	5585	14.15	7.50	0.53	5791	12.99	6.88	0.53	6147	10.71	5.68	0.53	6378
29	26	16.49	6.76	0.41	4531	16.33	6.70	0.41	4571	16.15	6.62	0.41	4612	15.95	6.54	0.41	4648	15.79	6.47	0.41	4671	15.62	6.40	0.41	4823	15.40	6.31	0.41	5031	15.13	6.20	0.41	5365	14.77	6.06	0.41	5608	14.34	5.88	0.41	5815	13.17	5.40	0.41	6170	10.86	4.45	0.41	6402
30	18	15.67	13.64	0.87	4488	15.52	13.50	0.87	4529	15.35	13.36	0.87	4570	15.15	13.18	0.87	4607	15.00	13.05	0.87	4631	14.84	12.91	0.87	4784	14.64	12.73	0.87	4994	14.38	12.51	0.87	5331	14.04	12.21	0.87	5577	13.63	11.86	0.87	5785	12.51	10.89	0.87	6144	10.32	8.98	0.87	6378
30	20	15.99	12.96	0.81	4514	15.84	12.83	0.81	4555	15.66	12.69	0.81	4596	15.46	12.53	0.81	4633	15.31	12.40	0.81	4656	15.14	12.27	0.81	4810	14.93	12.10	0.81	5020	14.67	11.88	0.81	5356	14.33	11.60	0.81	5602	13.91	11.27	0.81	5811	12.77	10.34	0.81	6170	10.53	8.53	0.81	6404
30	22	16.31	11.26	0.69	4532	16.15	11.15	0.69	4572	15.98	11.02	0.69	4614	15.77	10.88	0.69	4651	15.62	10.78	0.69	4674	15.45	10.66	0.69	4827	15.23	10.51	0.69	5037	14.96	10.32	0.69	5374	14.61	10.08	0.69	5620	14.19	9.79	0.69	5828	13.02	8.99	0.69	6188	10.74	7.41	0.69	6422
30	24	16.43	9.36	0.57	4552	16.27	9.27	0.57	4593	16.09	9.17	0.57	4634	15.88	9.05	0.57	4671	15.73	8.96	0.57	4694	15.55	8.87	0.57	4848	15.34	8.74	0.57	5058	15.07	8.59	0.57	5395	14.72	8.39	0.57	5640	14.29	8.14	0.57	5849	13.12	7.48	0.57	6208	10.82	6.17	0.57	6442
30	26	16.66	7.50	0.45	4576	16.49	7.42	0.45	4617	16.31	7.34	0.45	4658	16.11	7.25	0.45	4695	15.95	7.18	0.45	4718	15.77	7.10	0.45	4872	15.55	7.00	0.45	5082	15.28	6.88	0.45	5418	14.92	6.71	0.45	5664	14.49	6.52	0.45	5873	13.30	5.98	0.45	6232	10.97	4.94	0.45	6466
31	18	15.83	13.77	0.87	4533	15.67	13.64	0.87	4575	15.50	13.49	0.87	4616	15.31	13.32	0.87	4653	15.15	13.18	0.87	4677	14.99	13.04	0.87	4832	14.78	12.86	0.87	5044	14.52	12.63	0.87	5384	14.18	12.34	0.87	5632	13.77	11.98	0.87	5843	12.64	11.00	0.87	6206	10.43	9.07	0.87	6442
31	20	16.15	13.73	0.85	4559	15.99	13.60	0.85	4601	15.82	13.45	0.85	4642	15.62	13.27	0.85	4679	15.46	13.14	0.85	4703	15.29	13.00	0.85	4858	15.08	12.82	0.85	5070	14.82	12.59	0.85	5410	14.47	12.30	0.85	5658	14.05	11.94	0.85	5869	12.90	10.96	0.85	6232	10.64	9.04	0.85	6468
31	22	16.48	12.03	0.73	4577	16.31	11.91	0.73	4618	16.14	11.78	0.73	4660	15.93	11.63	0.73	4697	15.77	11.51	0.73	4721	15.60	11.39	0.73	4876	15.39	11.23	0.73	5088	15.11	11.03	0.73	5428	14.76	10.77	0.73	5676	14.33	10.46	0.73	5887	13.15	9.60	0.73	6250	10.85	7.92	0.73	6486
31	24	16.59	10.12	0.61	4598	16.43	10.02	0.61	4639	16.25	9.91	0.61	4681	16.04	9.79	0.61	4718	15.88	9.69	0.61	4741	15.71	9.58	0.61	4896	15.49	9.45	0.61	5109	15.22	9.28	0.61	5449	14.86	9.07	0.61	5697	14.43	8.80	0.61	5908	13.25	8.08	0.61	6270	10.93	6.67	0.61	6507
31	26	16.83	8.24	0.49	4622	16.66	8.16	0.49	4663	16.48	8.07	0.49	4705	16.27	7.97	0.49	4742	16.11	7.89	0.49	4765	15.93	7.81	0.49	4920	15.71	7.70	0.49	5133	15.43	7.56	0.49	5472	15.07	7.38	0.49	5721	14.63	7.17	0.49	5931	13.43	6.58	0.49	6294	11.08	5.43	0.49	6531
32	18	15.99	13.91	0.87	4579	15.83	13.77	0.87	4620	15.66	13.62	0.87	4662	15.46	13.45	0.87	4700	15.31	13.32	0.87	4724	15.14	13.17	0.87	4880	14.93	12.99	0.87	5095	14.67	12.76	0.87	5438	14.32	12.46	0.87	5689	13.90	12.10	0.87	5901	12.76	11.11	0.87	6268	10.53	9.16	0.87	6507
32	20	16.32	14.20	0.87	4605	16.15	14.05	0.87	4647	15.98	13.90	0.87	4689	15.77	13.72	0.87	4726	15.62	13.59	0.87	4750	15.45	13.44	0.87	4906	15.23	13.25	0.87	5121	14.97	13.02	0.87	5464	14.61	12.71	0.87	5715	14.19	12.34	0.87	5928	13.03	11.33	0.87	6294	10.75	9.35	0.87	6533
32	22	16.64	12.81	0.77	4623	16.48	12.69	0.77	4664	16.30	12.55	0.77	4706	16.09	12.39	0.77	4744	15.93	12.27	0.77	4768	15.76	12.13	0.77	4924	15.54	11.97	0.77	5139	15.26	11.75	0.77	5482	14.91	11.48	0.77	5733	14.47	11.14	0.77	5946	13.29	10.23	0.77	6312	10.96	8.44	0.77	6551
32	24	16.76	10.89	0.65	4644	16.59	10.79	0.65	4685	16.41	10.67	0.65	4727	16.20	10.53	0.65	4765	16.04	10.43	0.65	4789	15.87	10.31	0.65	4945	15.65	10.17	0.65	5160	15.37	9.99	0.65	5503	15.01	9.76	0.65	5754	14.57	9.47	0.65	5967	13.38	8.70	0.65	6333	11.04	7.17	0.65	6572
32	26	16.99	9.01	0.53	4668	16.83	8.92	0.53	4710	16.64	8.82	0.53	4752	16.43	8.71	0.53	4789	16.27	8.62	0.53	4813	16.09	8.53	0.53	4970	15.87	8.41	0.53	5184	15.59	8.26	0.53	5527	15.22	8.07	0.53	5778	14.78	7.83	0.53	5991	13.57	7.19	0.53	6357	11.19	5.93	0.53	6596

**Remarks:**

**Q:** Total Heating / Cooling Capacity (Gross) kW

**INPUT:** Power Input (including the compressor, evap. fan motor & cond. **W DB:** Dry Bulb

Temperature

**WB:** Wet Bulb Temperature

**SHC:** Sensible Heat Capacity

**SHF:** Sensible Heat Factor

## 4. CAPACITIES AND SELECTION DATA

The following charts show the characteristics of outdoor unit capacity, which corresponds with the operating ambient temperature of outdoor unit. Conditions:

④ Pipe length / height difference: 5m / 0m ② Indoor fan speed at high fan speed ③ Capacity loss due to white frost and defrost operation is not included.

60K

		PERFORMANCE DATA (Cooling Operation at Rated Frequency)																																															
		AUC-60UR6SNKC5																																															
		CAPACITY: 15.5 kW SHF: 0.75 INPUT: 6460 W																																															
ID DB (°C)	IN WB (°C)	OUTDOOR DB (°C)																																															
		-15				-5				0				5				10				15				20				25				30				35				40				45			
		Q	SHC	SHF	IPT	Q	SHC	SHF	IPT	Q	SHC	SHF	IPT	Q	SHC	SHF	IPT	Q	SHC	SHF	IPT	Q	SHC	SHF	IPT	Q	SHC	SHF	IPT	Q	SHC	SHF	IPT	Q	SHC	SHF	IPT	Q	SHC	SHF	IPT	Q	SHC	SHF	IPT	Q	SHC	SHF	IPT
21	18	15.00	8.55	0.57	4712	14.86	8.47	0.57	4755	14.69	8.38	0.57	4798	14.51	8.27	0.57	4837	14.36	8.19	0.57	4861	14.21	8.10	0.57	5022	14.01	7.99	0.57	5243	13.76	7.84	0.57	5596	13.44	7.66	0.57	5854	13.05	7.44	0.57	6073	11.98	6.83	0.57	6450	9.88	5.63	0.57	6695
21	20	15.62	7.03	0.45	4735	15.47	6.96	0.45	4778	15.30	6.89	0.45	4821	15.10	6.80	0.45	4860	14.95	6.73	0.45	4884	14.79	6.66	0.45	5045	14.59	6.56	0.45	5266	14.33	6.45	0.45	5619	13.99	6.30	0.45	5877	13.59	6.11	0.45	6096	12.47	5.61	0.45	6473	10.29	4.63	0.45	6719
22	18	15.47	9.44	0.61	4759	15.32	9.34	0.61	4803	15.15	9.24	0.61	4846	14.95	9.12	0.61	4885	14.81	9.03	0.61	4910	14.65	8.93	0.61	5073	14.44	8.81	0.61	5295	14.19	8.65	0.61	5652	13.86	8.45	0.61	5913	13.45	8.21	0.61	6134	12.35	7.53	0.61	6515	10.19	6.21	0.61	6763
22	20	15.94	7.81	0.49	4783	15.78	7.73	0.49	4826	15.61	7.65	0.49	4870	15.41	7.55	0.49	4909	15.26	7.48	0.49	4934	15.09	7.40	0.49	5096	14.89	7.29	0.49	5319	14.62	7.16	0.49	5676	14.28	7.00	0.49	5936	13.86	6.79	0.49	6158	12.73	6.24	0.49	6539	10.50	5.14	0.49	6786
22	22	16.21	6.00	0.37	4799	16.05	5.94	0.37	4843	15.88	5.87	0.37	4886	15.67	5.80	0.37	4925	15.52	5.74	0.37	4950	15.35	5.68	0.37	5113	15.14	5.60	0.37	5335	14.87	5.50	0.37	5692	14.52	5.37	0.37	5953	14.10	5.22	0.37	6174	12.94	4.79	0.37	6555	10.68	3.95	0.37	6803
23	18	15.78	10.26	0.65	4807	15.63	10.16	0.65	4851	15.46	10.05	0.65	4895	15.26	9.92	0.65	4935	15.11	9.82	0.65	4960	14.94	9.71	0.65	5124	14.74	9.58	0.65	5349	14.48	9.41	0.65	5709	14.14	9.19	0.65	5972	13.73	8.92	0.65	6196	12.60	8.19	0.65	6581	10.40	6.76	0.65	6831
23	20	16.27	8.62	0.53	4831	16.11	8.54	0.53	4875	15.93	8.44	0.53	4919	15.73	8.34	0.53	4959	15.57	8.25	0.53	4984	15.40	8.16	0.53	5148	15.19	8.05	0.53	5373	14.92	7.91	0.53	5733	14.57	7.72	0.53	5996	14.15	7.50	0.53	6220	12.99	6.88	0.53	6605	10.71	5.68	0.53	6855
23	22	16.54	6.78	0.41	4848	16.38	6.72	0.41	4891	16.20	6.64	0.41	4936	15.99	6.56	0.41	4975	15.84	6.49	0.41	5000	15.66	6.42	0.41	5164	15.45	6.33	0.41	5389	15.17	6.22	0.41	5750	14.82	6.08	0.41	6013	14.39	5.90	0.41	6236	13.21	5.41	0.41	6621	10.90	4.47	0.41	6871
24	18	16.11	11.11	0.69	4856	15.95	11.00	0.69	4900	15.77	10.88	0.69	4945	15.57	10.74	0.69	4985	15.42	10.64	0.69	5010	15.25	10.52	0.69	5176	15.04	10.38	0.69	5403	14.77	10.19	0.69	5767	14.43	9.95	0.69	6033	14.01	9.66	0.69	6258	12.86	8.87	0.69	6647	10.61	7.32	0.69	6900
24	20	16.60	9.46	0.57	4880	16.44	9.37	0.57	4924	16.26	9.27	0.57	4969	16.05	9.15	0.57	5009	15.89	9.06	0.57	5034	15.72	8.96	0.57	5200	15.50	8.83	0.57	5427	15.23	8.68	0.57	5791	14.87	8.47	0.57	6057	14.44	8.23	0.57	6283	13.25	7.55	0.57	6671	10.93	6.23	0.57	6924
24	22	16.88	7.60	0.45	4897	16.71	7.52	0.45	4941	16.53	7.44	0.45	4985	16.32	7.34	0.45	5025	16.16	7.27	0.45	5050	15.98	7.19	0.45	5216	15.76	7.09	0.45	5444	15.48	6.97	0.45	5808	15.12	6.80	0.45	6074	14.68	6.61	0.45	6299	13.48	6.06	0.45	6688	11.12	5.00	0.45	6941
24	24	17.12	5.65	0.33	4916	16.95	5.59	0.33	4960	16.76	5.53	0.33	5005	16.55	5.46	0.33	5045	16.39	5.41	0.33	5070	16.21	5.35	0.33	5236	15.98	5.27	0.33	5463	15.70	5.18	0.33	5827	15.33	5.06	0.33	6093	14.89	4.91	0.33	6319	13.67	4.51	0.33	6707	11.27	3.72	0.33	6960
25	18	16.60	12.12	0.73	4905	16.44	12.00	0.73	4950	16.26	11.87	0.73	4995	16.05	11.72	0.73	5035	15.89	11.60	0.73	5060	15.72	11.48	0.73	5228	15.50	11.32	0.73	5458	15.23	11.12	0.73	5825	14.87	10.86	0.73	6094	14.44	10.54	0.73	6322	13.26	9.68	0.73	6714	10.94	7.98	0.73	6970
25	20	17.11	10.44	0.61	4929	16.94	10.34	0.61	4974	16.76	10.22	0.61	5019	16.54	10.09	0.61	5059	16.38	9.99	0.61	5085	16.20	9.88	0.61	5252	15.98	9.75	0.61	5482	15.70	9.57	0.61	5850	15.33	9.35	0.61	6118	14.88	9.08	0.61	6346	13.66	8.33	0.61	6739	11.27	6.88	0.61	6994
25	22	17.40	8.53	0.49	4946	17.23	8.44	0.49	4991	17.04	8.35	0.49	5036	16.83	8.24	0.49	5076	16.66	8.16	0.49	5101	16.48	8.07	0.49	5269	16.25	7.96	0.49	5499	15.96	7.82	0.49	5866	15.59	7.64	0.49	6135	15.13	7.42	0.49	6363	13.89	6.81	0.49	6755	11.46	5.62	0.49	7011
25	24	17.65	6.53	0.37	4966	17.47	6.46	0.37	5010	17.28	6.39	0.37	5055	17.06	6.31	0.37	5096	16.89	6.25	0.37	5121	16.71	6.18	0.37	5289	16.48	6.10	0.37	5518	16.19	5.99	0.37	5886	15.81	5.85	0.37	6154	15.35	5.68	0.37	6382	14.09	5.21	0.37	6775	11.62	4.30	0.37	7030
26	18	17.12	13.18	0.77	4954	16.95	13.05	0.77	5000	16.76	12.91	0.77	5045	16.55	12.74	0.77	5086	16.39	12.62	0.77	5111	16.21	12.48	0.77	5281	15.98	12.31	0.77	5513	15.70	12.09	0.77	5884	15.33	11.81	0.77	6155	14.89	11.46	0.77	6386	13.67	10.52	0.77	6782	11.27	8.68	0.77	7040
26	20	17.64	11.47	0.65	4979	17.47	11.35	0.65	5024	17.28	11.23	0.65	5070	17.06	11.09	0.65	5111	16.89	10.98	0.65	5136	16.70	10.86	0.65	5305	16.47	10.71	0.65	5537	16.18	10.52	0.65	5909	15.80	10.27	0.65	6180	15.34	9.97	0.65	6410	14.08	9.15	0.65	6807	11.62	7.55	0.65	7065
26	22	17.94	9.51	0.53	4996	17.76	9.42	0.53	5041	17.57	9.31	0.53	5087	17.35	9.19	0.53	5127	17.17	9.10	0.53	5153	16.99	9.00	0.53	5322	16.75	8.88	0.53	5554	16.46	8.72	0.53	5926	16.07	8.52	0.53	6197	15.60	8.27	0.53	6427	14.32	7.59	0.53	6824	11.82	6.26	0.53	7082
26	24	18.19	7.46	0.41	5016	18.01	7.39	0.41	5061	17.82	7.31	0.41	5106	17.59	7.21	0.41	5147	17.41	7.14	0.41	5173	17.23	7.06	0.41	5342	16.99	6.96	0.41	5574	16.69	6.84	0.41	5945	16.30	6.68	0.41	6217	15.82	6.49	0.41	6447	14.52	5.95	0.41	6843	11.98	4.91	0.41	7101
26	26	18.48	5.36	0.29	5039	18.30	5.31	0.29	5084	18.10	5.25	0.29	5129	17.87	5.18	0.29	5170	17.69	5.13	0.29	5196	17.50	5.08	0.29	5365	17.26	5.01	0.29	5597	16.95	4.92	0.29	5968	16.56	4.80	0.29	6239	16.07	4.66	0.29	6470	14.76	4.28	0.29	6866	12.17	3.53	0.29	7124
27	18	17.47	14.15	0.81	5005	17.29	14.01	0.81	5050	17.11	13.86	0.81	5096	16.89	13.68	0.81	5137	16.72	13.54	0.81	5163	16.54	13.40	0.81	5334	16.31	13.21	0.81	5568	16.02	12.98	0.81	5943	15.65	12.67	0.81	6217	15.19	12.30	0.81	6450	13.94	11.29	0.81	6851	11.50	9.32	0.81	7111
27	19	17.82	13.37	0.75	5015	17.65	13.24	0.75	5060	17.46	13.09	0.75	5106	17.23	12.92	0.75	5147	17.06	12.80	0.75	5173	16.88	12.66	0.75	5344	16.64	12.48	0.75	5578	16.35	12.26	0.75	5953	15.97	11.97	0.75	6227	15.50	11.63	0.75	6460	14.23	10.67	0.75	6861	11.74	8.80	0.75	7121
27	20	18.00	12.42	0.69	5030	17.82	12.30	0.69	5075	17.63	12.16	0.69	5121	17.40	12.01	0.69	5162	17.23	11.89	0.69	5188	17.04	11.76	0.69	5359	16.81	11.60	0.69	5593	16.51	11.39	0.69	5968	16.12	11.13	0.69	6242	15.66	10.80	0.69	6475	14.37	9.92	0.69	6876	11.86	8.18	0.69	7136
27	22	18.31	10.44	0.57	5047	18.13	10.33	0.57	5092	17.93	10.22	0.57	5138	17.70	10.09	0.57	5179	17.52	9.99	0.57	5205	17.33	9.88	0.57	5376	17.09	9.74	0.57	5610	16.79																			

## 4. CAPACITIES AND SELECTION DATA

**PERFORMANCE DATA (Cooling Operation at Rated Frequency)**

**AUC-60UR6SNKC5**

**CAPACITY: 15.5 kW SHF: 0.75 INPUT: 6460 W**

**OUTDOOR DB (°C)**

ID DB (°C)	IN WB (°C)	OUTDOOR DB (°C)																																															
		-15				-5				0				5				10				15				20				25				30				35				40				45			
		Q	SHC	SHF	IPT	Q	SHC	SHF	IPT	Q	SHC	SHF	IPT	Q	SHC	SHF	IPT	Q	SHC	SHF	IPT	Q	SHC	SHF	IPT	Q	SHC	SHF	IPT	Q	SHC	SHF	IPT	Q	SHC	SHF	IPT	Q	SHC	SHF	IPT	Q	SHC	SHF	IPT	Q	SHC	SHF	IPT
29	18	17.82	15.50	0.87	5105	17.64	15.35	0.87	5152	17.45	15.18	0.87	5198	17.23	14.99	0.87	5240	17.06	14.84	0.87	5267	16.87	14.68	0.87	5441	16.64	14.47	0.87	5680	16.34	14.22	0.87	6063	15.96	13.89	0.87	6342	15.50	13.48	0.87	6580	14.22	12.38	0.87	6988	11.74	10.21	0.87	7254
29	20	18.18	14.00	0.77	5131	18.00	13.86	0.77	5177	17.81	13.71	0.77	5224	17.58	13.54	0.77	5266	17.40	13.40	0.77	5292	17.21	13.26	0.77	5467	16.98	13.07	0.77	5706	16.68	12.84	0.77	6088	16.29	12.54	0.77	6368	15.81	12.17	0.77	6605	14.52	11.18	0.77	7014	11.97	9.22	0.77	7280
29	22	18.55	12.05	0.65	5148	18.36	11.94	0.65	5194	18.16	11.81	0.65	5241	17.93	11.65	0.65	5283	17.75	11.54	0.65	5310	17.56	11.41	0.65	5484	17.32	11.26	0.65	5723	17.01	11.06	0.65	6106	16.61	10.80	0.65	6385	16.13	10.48	0.65	6622	14.81	9.62	0.65	7031	12.21	7.94	0.65	7297
29	24	18.68	9.90	0.53	5168	18.49	9.80	0.53	5215	18.29	9.69	0.53	5262	18.06	9.57	0.53	5304	17.88	9.47	0.53	5330	17.68	9.37	0.53	5505	17.44	9.24	0.53	5744	17.13	9.08	0.53	6126	16.73	8.87	0.53	6406	16.24	8.61	0.53	6643	14.91	7.90	0.53	7051	12.30	6.52	0.53	7317
29	26	18.94	7.76	0.41	5192	18.75	7.69	0.41	5238	18.55	7.60	0.41	5285	18.31	7.51	0.41	5327	18.13	7.43	0.41	5354	17.93	7.35	0.41	5528	17.68	7.25	0.41	5767	17.37	7.12	0.41	6150	16.96	6.95	0.41	6429	16.47	6.75	0.41	6666	15.12	6.20	0.41	7075	12.47	5.11	0.41	7341
30	18	18.00	15.66	0.87	5156	17.82	15.50	0.87	5203	17.62	15.33	0.87	5250	17.40	15.14	0.87	5293	17.23	14.99	0.87	5320	17.04	14.82	0.87	5496	16.80	14.62	0.87	5737	16.51	14.36	0.87	6124	16.12	14.02	0.87	6406	15.65	13.62	0.87	6645	14.37	12.50	0.87	7058	11.85	10.31	0.87	7327
30	20	18.36	14.88	0.81	5182	18.18	14.73	0.81	5229	17.98	14.57	0.81	5276	17.75	14.38	0.81	5319	17.58	14.24	0.81	5345	17.39	14.08	0.81	5521	17.15	13.89	0.81	5763	16.84	13.64	0.81	6149	16.45	13.32	0.81	6432	15.97	12.94	0.81	6671	14.66	11.87	0.81	7084	12.09	9.80	0.81	7352
30	22	18.73	12.92	0.69	5199	18.55	12.80	0.69	5246	18.34	12.66	0.69	5294	18.11	12.50	0.69	5336	17.93	12.37	0.69	5363	17.73	12.24	0.69	5539	17.49	12.07	0.69	5780	17.18	11.85	0.69	6167	16.78	11.58	0.69	6449	16.29	11.24	0.69	6689	14.95	10.32	0.69	7101	12.34	8.51	0.69	7370
30	24	18.86	10.75	0.57	5220	18.68	10.65	0.57	5267	18.47	10.53	0.57	5314	18.24	10.39	0.57	5357	18.06	10.29	0.57	5383	17.86	10.18	0.57	5560	17.61	10.04	0.57	5801	17.30	9.86	0.57	6187	16.90	9.63	0.57	6470	16.40	9.35	0.57	6709	15.06	8.58	0.57	7122	12.42	7.08	0.57	7391
30	26	19.13	8.61	0.45	5244	18.94	8.52	0.45	5291	18.73	8.43	0.45	5338	18.49	8.32	0.45	5380	18.31	8.24	0.45	5407	18.11	8.15	0.45	5583	17.86	8.04	0.45	5825	17.54	7.89	0.45	6211	17.13	7.71	0.45	6493	16.63	7.48	0.45	6733	15.27	6.87	0.45	7146	12.60	5.67	0.45	7414
31	18	18.18	15.81	0.87	5208	18.00	15.66	0.87	5255	17.80	15.49	0.87	5303	17.57	15.29	0.87	5346	17.40	15.14	0.87	5373	17.21	14.97	0.87	5551	16.97	14.77	0.87	5794	16.67	14.50	0.87	6185	16.28	14.16	0.87	6470	15.81	13.75	0.87	6712	14.51	12.62	0.87	7129	11.97	10.41	0.87	7400
31	20	18.55	15.77	0.85	5234	18.36	15.61	0.85	5281	18.16	15.44	0.85	5329	17.93	15.24	0.85	5372	17.75	15.09	0.85	5399	17.56	14.93	0.85	5577	17.32	14.72	0.85	5820	17.01	14.46	0.85	6211	16.61	14.12	0.85	6496	16.13	13.71	0.85	6738	14.81	12.59	0.85	7155	12.22	10.38	0.85	7426
31	22	18.92	13.81	0.73	5251	18.73	13.67	0.73	5299	18.53	13.53	0.73	5347	18.29	13.35	0.73	5389	18.11	13.22	0.73	5416	17.91	13.08	0.73	5594	17.66	12.90	0.73	5838	17.35	12.67	0.73	6228	16.95	12.37	0.73	6514	16.45	12.01	0.73	6756	15.10	11.03	0.73	7172	12.46	9.10	0.73	7444
31	24	19.05	11.62	0.61	5272	18.86	11.51	0.61	5320	18.66	11.38	0.61	5367	18.42	11.24	0.61	5410	18.24	11.12	0.61	5437	18.04	11.00	0.61	5615	17.79	10.85	0.61	5859	17.47	10.66	0.61	6249	17.06	10.41	0.61	6534	16.57	10.11	0.61	6776	15.21	9.28	0.61	7193	12.55	7.65	0.61	7464
31	26	19.32	9.47	0.49	5296	19.13	9.37	0.49	5344	18.92	9.27	0.49	5391	18.68	9.15	0.49	5434	18.49	9.06	0.49	5461	18.29	8.96	0.49	5639	18.04	8.84	0.49	5883	17.72	8.68	0.49	6273	17.30	8.48	0.49	6558	16.80	8.23	0.49	6800	15.42	7.56	0.49	7217	12.72	6.23	0.49	7488
32	18	18.36	15.97	0.87	5260	18.18	15.81	0.87	5308	17.98	15.64	0.87	5356	17.75	15.44	0.87	5399	17.57	15.29	0.87	5426	17.38	15.12	0.87	5606	17.14	14.91	0.87	5852	16.84	14.65	0.87	6247	16.44	14.31	0.87	6535	15.96	13.89	0.87	6779	14.66	12.75	0.87	7200	12.09	10.52	0.87	7474
32	20	18.73	16.30	0.87	5286	18.55	16.14	0.87	5334	18.35	15.96	0.87	5382	18.11	15.76	0.87	5426	17.93	15.60	0.87	5453	17.74	15.43	0.87	5632	17.49	15.22	0.87	5879	17.18	14.95	0.87	6273	16.78	14.60	0.87	6561	16.29	14.17	0.87	6805	14.95	13.01	0.87	7226	12.34	10.73	0.87	7500
32	22	19.11	14.71	0.77	5304	18.92	14.57	0.77	5352	18.71	14.41	0.77	5400	18.47	14.22	0.77	5443	18.29	14.08	0.77	5471	18.09	13.93	0.77	5650	17.84	13.74	0.77	5897	17.53	13.49	0.77	6291	17.11	13.18	0.77	6579	16.62	12.79	0.77	6823	15.25	11.75	0.77	7244	12.58	9.69	0.77	7518
32	24	19.24	12.51	0.65	5325	19.05	12.38	0.65	5373	18.84	12.25	0.65	5421	18.60	12.09	0.65	5464	18.42	11.97	0.65	5492	18.22	11.84	0.65	5671	17.97	11.68	0.65	5918	17.65	11.47	0.65	6312	17.24	11.20	0.65	6600	16.73	10.88	0.65	6844	15.36	9.98	0.65	7265	12.67	8.24	0.65	7539
32	26	19.51	10.34	0.53	5349	19.32	10.24	0.53	5397	19.11	10.13	0.53	5445	18.86	10.00	0.53	5489	18.68	9.90	0.53	5516	18.47	9.79	0.53	5696	18.22	9.66	0.53	5942	17.90	9.48	0.53	6336	17.48	9.26	0.53	6624	16.97	8.99	0.53	6868	15.58	8.26	0.53	7289	12.85	6.81	0.53	7563

**Remarks:**

**Q:** Total Heating / Cooling Capacity (Gross) kW

**INPUT:** Power Input (including the compressor, evap. fan motor & cond. **W DB:** Dry Bulb

Temperature

**WB:** Wet Bulb Temperature

**SHC:** Sensible Heat Capacity

**SHF:** Sensible Heat Factor

The following charts show the characteristics of outdoor unit capacity, which corresponds with the operating ambient temperature of outdoor unit. Conditions:



## 4. CAPACITIES AND SELECTION DATA

- ① Pipe length / height difference: 5m/ 0m    ② Indoor fan speed at high fan speed    ③ Capacity loss due to white frost and defrost operation is not included.

Ceiling & Floor 18K

		PERFORMANCE DATA (Cooling Operation at Rated Frequency)																																																					
		AUV-18UR4SSA5																																																					
		CAPACITY: 5.0 kW SHF: 0.75 INPUT: 1550 W																																																					
ID DB (°C)	IN WB (°C)	OUTDOOR DB (°C)																																																					
		-15				-5				0				5				10				15				20				25				30				35				40				45									
		Q	SHC	SHF	IPT	Q	SHC	SHF	IPT	Q	SHC	SHF	IPT	Q	SHC	SHF	IPT	Q	SHC	SHF	IPT	Q	SHC	SHF	IPT	Q	SHC	SHF	IPT	Q	SHC	SHF	IPT	Q	SHC	SHF	IPT	Q	SHC	SHF	IPT	Q	SHC	SHF	IPT	Q	SHC	SHF	IPT	Q	SHC	SHF	IPT	Q	SHC
21	18	4.84	2.76	0.57	1123	4.79	2.73	0.57	1134	4.74	2.70	0.57	1144	4.68	2.67	0.57	1153	4.63	2.64	0.57	1159	4.58	2.61	0.57	1198	4.52	2.58	0.57	1251	4.44	2.53	0.57	1335	4.34	2.47	0.57	1397	4.21	2.40	0.57	1450	3.86	2.20	0.57	1540	3.19	1.82	0.57	1599						
21	20	5.04	2.27	0.45	1147	4.99	2.25	0.45	1157	4.94	2.22	0.45	1168	4.87	2.19	0.45	1177	4.82	2.17	0.45	1183	4.77	2.15	0.45	1221	4.71	2.12	0.45	1274	4.62	2.08	0.45	1359	4.51	2.03	0.45	1421	4.38	1.97	0.45	1473	4.02	1.81	0.45	1564	3.32	1.49	0.45	1623						
22	18	4.99	3.04	0.61	1135	4.94	3.01	0.61	1145	4.89	2.98	0.61	1156	4.82	2.94	0.61	1165	4.78	2.91	0.61	1171	4.72	2.88	0.61	1210	4.66	2.84	0.61	1263	4.58	2.79	0.61	1349	4.47	2.73	0.61	1411	4.34	2.65	0.61	1465	3.98	2.43	0.61	1556	3.29	2.00	0.61	1615						
22	20	5.14	2.52	0.49	1158	5.09	2.49	0.49	1169	5.04	2.47	0.49	1179	4.97	2.44	0.49	1189	4.92	2.41	0.49	1195	4.87	2.39	0.49	1234	4.80	2.35	0.49	1287	4.72	2.31	0.49	1373	4.61	2.26	0.49	1435	4.47	2.19	0.49	1488	4.11	2.01	0.49	1580	3.39	1.66	0.49	1639						
22	22	5.23	1.94	0.37	1175	5.18	1.92	0.37	1185	5.12	1.90	0.37	1196	5.06	1.87	0.37	1205	5.01	1.85	0.37	1211	4.95	1.83	0.37	1250	4.88	1.81	0.37	1303	4.80	1.77	0.37	1389	4.68	1.73	0.37	1451	4.55	1.68	0.37	1504	4.18	1.54	0.37	1596	3.44	1.27	0.37	1655						
23	18	5.09	3.31	0.65	1146	5.04	3.28	0.65	1157	4.99	3.24	0.65	1167	4.92	3.20	0.65	1177	4.87	3.17	0.65	1183	4.82	3.13	0.65	1222	4.75	3.09	0.65	1276	4.67	3.04	0.65	1363	4.56	2.96	0.65	1426	4.43	2.88	0.65	1479	4.06	2.64	0.65	1572	3.35	2.18	0.65	1632						
23	20	5.25	2.78	0.53	1170	5.20	2.75	0.53	1181	5.14	2.72	0.53	1191	5.07	2.69	0.53	1201	5.02	2.66	0.53	1207	4.97	2.63	0.53	1246	4.90	2.60	0.53	1300	4.81	2.55	0.53	1387	4.70	2.49	0.53	1450	4.56	2.42	0.53	1503	4.19	2.22	0.53	1596	3.46	1.83	0.53	1656						
23	22	5.34	2.19	0.41	1187	5.28	2.17	0.41	1197	5.23	2.14	0.41	1208	5.16	2.12	0.41	1217	5.11	2.09	0.41	1223	5.05	2.07	0.41	1262	4.98	2.04	0.41	1316	4.89	2.01	0.41	1403	4.78	1.96	0.41	1466	4.64	1.90	0.41	1520	4.26	1.75	0.41	1612	3.51	1.44	0.41	1672						
24	18	5.20	3.59	0.69	1158	5.14	3.55	0.69	1168	5.09	3.51	0.69	1179	5.02	3.47	0.69	1189	4.97	3.43	0.69	1195	4.92	3.39	0.69	1234	4.85	3.35	0.69	1289	4.77	3.29	0.69	1376	4.65	3.21	0.69	1440	4.52	3.12	0.69	1494	4.15	2.86	0.69	1588	3.42	2.36	0.69	1648						
24	20	5.35	3.05	0.57	1182	5.30	3.02	0.57	1193	5.24	2.99	0.57	1203	5.18	2.95	0.57	1213	5.13	2.92	0.57	1219	5.07	2.89	0.57	1259	5.00	2.85	0.57	1313	4.91	2.80	0.57	1401	4.80	2.73	0.57	1464	4.66	2.65	0.57	1519	4.27	2.44	0.57	1612	3.53	2.01	0.57	1672						
24	22	5.45	2.45	0.45	1198	5.39	2.43	0.45	1209	5.33	2.40	0.45	1220	5.26	2.37	0.45	1229	5.21	2.35	0.45	1235	5.16	2.32	0.45	1275	5.08	2.29	0.45	1330	4.99	2.25	0.45	1417	4.88	2.19	0.45	1481	4.74	2.13	0.45	1535	4.35	1.96	0.45	1628	3.59	1.61	0.45	1689						
24	24	5.52	1.82	0.33	1218	5.47	1.80	0.33	1228	5.41	1.78	0.33	1239	5.34	1.76	0.33	1249	5.29	1.74	0.33	1255	5.23	1.73	0.33	1295	5.16	1.70	0.33	1349	5.06	1.67	0.33	1436	4.95	1.63	0.33	1500	4.80	1.58	0.33	1554	4.41	1.45	0.33	1648	3.64	1.20	0.33	1708						
25	18	5.36	3.91	0.73	1169	5.30	3.87	0.73	1180	5.25	3.83	0.73	1191	5.18	3.78	0.73	1201	5.13	3.74	0.73	1207	5.07	3.70	0.73	1247	5.00	3.65	0.73	1302	4.91	3.59	0.73	1390	4.80	3.50	0.73	1455	4.66	3.40	0.73	1509	4.28	3.12	0.73	1604	3.53	2.58	0.73	1665						
25	20	5.52	3.37	0.61	1194	5.47	3.33	0.61	1205	5.41	3.30	0.61	1215	5.34	3.26	0.61	1225	5.28	3.22	0.61	1231	5.23	3.19	0.61	1271	5.15	3.14	0.61	1327	5.06	3.09	0.61	1415	4.94	3.02	0.61	1479	4.80	2.93	0.61	1534	4.41	2.69	0.61	1628	3.64	2.22	0.61	1689						
25	22	5.61	2.75	0.49	1211	5.56	2.72	0.49	1221	5.50	2.69	0.49	1232	5.43	2.66	0.49	1242	5.37	2.63	0.49	1248	5.32	2.60	0.49	1288	5.24	2.57	0.49	1343	5.15	2.52	0.49	1431	5.03	2.46	0.49	1496	4.88	2.39	0.49	1551	4.48	2.20	0.49	1645	3.70	1.81	0.49	1706						
25	24	5.69	2.11	0.37	1230	5.64	2.09	0.37	1241	5.58	2.06	0.37	1252	5.50	2.04	0.37	1261	5.45	2.02	0.37	1267	5.39	1.99	0.37	1308	5.32	1.97	0.37	1363	5.22	1.93	0.37	1451	5.10	1.89	0.37	1515	4.95	1.83	0.37	1570	4.54	1.68	0.37	1664	3.75	1.39	0.37	1726						
26	18	5.52	4.25	0.77	1181	5.47	4.21	0.77	1192	5.41	4.16	0.77	1203	5.34	4.11	0.77	1213	5.29	4.07	0.77	1219	5.23	4.03	0.77	1260	5.16	3.97	0.77	1315	5.06	3.90	0.77	1404	4.95	3.81	0.77	1469	4.80	3.70	0.77	1525	4.41	3.39	0.77	1620	3.64	2.80	0.77	1682						
26	20	5.69	3.70	0.65	1206	5.63	3.66	0.65	1217	5.57	3.62	0.65	1228	5.50	3.58	0.65	1238	5.45	3.54	0.65	1244	5.39	3.50	0.65	1284	5.31	3.45	0.65	1340	5.22	3.39	0.65	1429	5.10	3.31	0.65	1494	4.95	3.22	0.65	1549	4.54	2.95	0.65	1644	3.75	2.44	0.65	1706						
26	22	5.79	3.07	0.53	1223	5.73	3.04	0.53	1234	5.67	3.00	0.53	1245	5.60	2.97	0.53	1254	5.54	2.94	0.53	1260	5.48	2.90	0.53	1301	5.40	2.86	0.53	1357	5.31	2.81	0.53	1446	5.18	2.75	0.53	1511	5.03	2.67	0.53	1566	4.62	2.45	0.53	1661	3.81	2.02	0.53	1723						
26	24	5.87	2.41	0.41	1243	5.81	2.38	0.41	1253	5.75	2.36	0.41	1264	5.67	2.33	0.41	1274	5.62	2.30	0.41	1280	5.56	2.28	0.41	1321	5.48	2.25	0.41	1377	5.38	2.21	0.41	1466	5.26	2.16	0.41	1531	5.10	2.09	0.41	1586	4.69	1.92	0.41	1681	3.87	1.58	0.41	1743						
26	26	5.96	1.73	0.29	1265	5.90	1.71	0.29	1276	5.84	1.69	0.29	1287	5.76	1.67	0.29	1297	5.71	1.66	0.29	1303	5.65	1.64	0.29	1344	5.57	1.61	0.29	1399	5.47	1.59	0.29	1488	5.34	1.55	0.29	1554	5.19	1.50	0.29	1609	4.76	1.38	0.29	1704	3.93	1.14	0.29	1766						
27	18	5.63	4.56	0.81	1193	5.58	4.52	0.81	1204	5.52	4.47	0.81	1215	5.45	4.41	0.81	1225	5.39	4.37	0.81	1231	5.33	4.32	0.81	1272	5.26	4.26	0.81	1328	5.17	4.19	0.81	1418	5.05	4.09	0.81	1484	4.90	3.97	0.81	1540	4.50	3.64	0.81	1636	3.71	3.01	0.81	1699						
27	19	5.75	4.31	0.75	1203	5.69	4.27	0.75	1214	5.63	4.22	0.75	1225	5.56	4.17	0.75	1235	5.50	4.13	0.75	1241	5.44	4.08	0.75	1282	5.37	4.03	0.75	1338	5.27	3.96	0.75	1428	5.15	3.86	0.75	1494	5.00	3.75	0.75	1550	4.59	3.44	0.75	1646	3.79	2.84	0.75	1709						
27	20	5.81	4.01	0.69	1218	5.75	3.97	0.69	1229	5.69	3.92	0.69	1240	5.61	3.87	0.69	1250	5.56	3.84	0.69	1256	5.50	3.79	0.69	1297	5.42	3.74	0.69	1353	5.33	3.68	0.69	1443	5.20	3.59	0.69	1509	5.05	3.48	0.69	1565	4.64	3.20	0.69	1661	3.82	2.64	0.69	1724						
27	22	5.91	3.37	0.57	1235	5.85	3.33	0.57	1246	5.78	3.30	0.57	1257	5.71	3.25	0.57	1267	5.65	3.22	0.57	1273	5.59	3.19	0.57	1314	5.51	3.14	0.57	1370	5.42	3.09	0.57	1460	5.29	3.02	0.57	1526	5.14	2.93	0.57	1582	4.71	2.69	0.57	1678	3.89	2.22	0.57	1741						
27	24	5.99	2.69	0.45	1255	5.93	2.67	0.45	1266	5.86	2.64	0.45	1277	5.79	2.61	0.45	1287	5.73	2.58	0.45	1293</																																		

## 4. CAPACITIES AND SELECTION DATA

### PERFORMANCE DATA (Cooling Operation at Rated Frequency)

AUV-18UR4SSA5

CAPACITY: 5.0 kW SHF: 0.75 INPUT: 1550 W

ID DB (°C)	IN WB (°C)	OUTDOOR DB (°C)																																															
		-15				-5				0				5				10				15				20				25				30				35				40				45			
		Q	SHC	SHF	IPT	Q	SHC	SHF	IPT	Q	SHC	SHF	IPT	Q	SHC	SHF	IPT	Q	SHC	SHF	IPT	Q	SHC	SHF	IPT	Q	SHC	SHF	IPT	Q	SHC	SHF	IPT	Q	SHC	SHF	IPT	Q	SHC	SHF	IPT	Q	SHC	SHF	IPT	Q	SHC	SHF	IPT
29	18	5.75	5.00	0.87	1217	5.69	4.95	0.87	1228	5.63	4.90	0.87	1240	5.56	4.83	0.87	1250	5.50	4.79	0.87	1256	5.44	4.73	0.87	1298	5.37	4.67	0.87	1355	5.27	4.59	0.87	1447	5.15	4.48	0.87	1514	5.00	4.35	0.87	1571	4.59	3.99	0.87	1669	3.79	3.29	0.87	1733
29	20	5.87	4.52	0.77	1243	5.81	4.47	0.77	1254	5.74	4.42	0.77	1265	5.67	4.37	0.77	1275	5.61	4.32	0.77	1281	5.55	4.28	0.77	1323	5.48	4.22	0.77	1381	5.38	4.14	0.77	1472	5.25	4.05	0.77	1540	5.10	3.93	0.77	1596	4.68	3.61	0.77	1694	3.86	2.97	0.77	1758
29	22	5.98	3.89	0.65	1260	5.92	3.85	0.65	1271	5.86	3.81	0.65	1282	5.78	3.76	0.65	1292	5.73	3.72	0.65	1299	5.66	3.68	0.65	1341	5.59	3.63	0.65	1398	5.49	3.57	0.65	1490	5.36	3.48	0.65	1557	5.20	3.38	0.65	1614	4.78	3.10	0.65	1712	3.94	2.56	0.65	1776
29	24	6.02	3.19	0.53	1280	5.97	3.16	0.53	1292	5.90	3.13	0.53	1303	5.82	3.09	0.53	1313	5.77	3.06	0.53	1319	5.70	3.02	0.53	1361	5.63	2.98	0.53	1418	5.53	2.93	0.53	1510	5.40	2.86	0.53	1577	5.24	2.78	0.53	1634	4.81	2.55	0.53	1732	3.97	2.10	0.53	1796
29	26	6.11	2.50	0.41	1304	6.05	2.48	0.41	1315	5.98	2.45	0.41	1326	5.91	2.42	0.41	1336	5.85	2.40	0.41	1343	5.78	2.37	0.41	1385	5.70	2.34	0.41	1442	5.60	2.30	0.41	1534	5.47	2.24	0.41	1601	5.31	2.18	0.41	1658	4.88	2.00	0.41	1756	4.02	1.65	0.41	1820
30	18	5.81	5.05	0.87	1229	5.75	5.00	0.87	1241	5.69	4.95	0.87	1252	5.61	4.88	0.87	1262	5.56	4.83	0.87	1269	5.50	4.78	0.87	1311	5.42	4.72	0.87	1369	5.32	4.63	0.87	1461	5.20	4.52	0.87	1529	5.05	4.39	0.87	1587	4.63	4.03	0.87	1686	3.82	3.33	0.87	1750
30	20	5.92	4.80	0.81	1255	5.87	4.75	0.81	1266	5.80	4.70	0.81	1278	5.73	4.64	0.81	1288	5.67	4.59	0.81	1294	5.61	4.54	0.81	1337	5.53	4.48	0.81	1394	5.43	4.40	0.81	1487	5.31	4.30	0.81	1555	5.15	4.17	0.81	1612	4.73	3.83	0.81	1711	3.90	3.16	0.81	1776
30	22	6.04	4.17	0.69	1273	5.98	4.13	0.69	1284	5.92	4.08	0.69	1295	5.84	4.03	0.69	1305	5.78	3.99	0.69	1312	5.72	3.95	0.69	1354	5.64	3.89	0.69	1412	5.54	3.82	0.69	1505	5.41	3.73	0.69	1572	5.25	3.63	0.69	1630	4.82	3.33	0.69	1729	3.98	2.75	0.69	1793
30	24	6.08	3.47	0.57	1293	6.02	3.43	0.57	1304	5.96	3.40	0.57	1316	5.88	3.35	0.57	1326	5.82	3.32	0.57	1332	5.76	3.28	0.57	1375	5.68	3.24	0.57	1433	5.58	3.18	0.57	1525	5.45	3.11	0.57	1593	5.29	3.02	0.57	1651	4.86	2.77	0.57	1750	4.01	2.28	0.57	1814
30	26	6.17	2.78	0.45	1317	6.11	2.75	0.45	1328	6.04	2.72	0.45	1340	5.96	2.68	0.45	1350	5.91	2.66	0.45	1356	5.84	2.63	0.45	1398	5.76	2.59	0.45	1456	5.66	2.55	0.45	1549	5.53	2.49	0.45	1617	5.37	2.41	0.45	1674	4.93	2.22	0.45	1773	4.06	1.83	0.45	1838
31	18	5.86	5.10	0.87	1242	5.81	5.05	0.87	1253	5.74	5.00	0.87	1264	5.67	4.93	0.87	1275	5.61	4.88	0.87	1281	5.55	4.83	0.87	1324	5.47	4.76	0.87	1382	5.38	4.68	0.87	1476	5.25	4.57	0.87	1544	5.10	4.44	0.87	1603	4.68	4.07	0.87	1703	3.86	3.36	0.87	1768
31	20	5.98	5.09	0.85	1268	5.92	5.04	0.85	1279	5.86	4.98	0.85	1290	5.78	4.92	0.85	1301	5.73	4.87	0.85	1307	5.66	4.82	0.85	1350	5.59	4.75	0.85	1408	5.49	4.66	0.85	1502	5.36	4.56	0.85	1570	5.20	4.42	0.85	1629	4.78	4.06	0.85	1729	3.94	3.35	0.85	1794
31	22	6.10	4.46	0.73	1285	6.04	4.41	0.73	1297	5.98	4.36	0.73	1308	5.90	4.31	0.73	1318	5.84	4.26	0.73	1325	5.78	4.22	0.73	1368	5.70	4.16	0.73	1426	5.60	4.09	0.73	1520	5.47	3.99	0.73	1588	5.31	3.87	0.73	1646	4.87	3.56	0.73	1746	4.02	2.93	0.73	1811
31	24	6.15	3.75	0.61	1306	6.08	3.71	0.61	1318	6.02	3.67	0.61	1329	5.94	3.62	0.61	1339	5.88	3.59	0.61	1346	5.82	3.55	0.61	1388	5.74	3.50	0.61	1447	5.64	3.44	0.61	1541	5.50	3.36	0.61	1609	5.34	3.26	0.61	1667	4.91	2.99	0.61	1767	4.05	2.47	0.61	1832
31	26	6.23	3.05	0.49	1330	6.17	3.02	0.49	1341	6.10	2.99	0.49	1353	6.02	2.95	0.49	1363	5.96	2.92	0.49	1370	5.90	2.89	0.49	1412	5.82	2.85	0.49	1471	5.72	2.80	0.49	1565	5.58	2.74	0.49	1633	5.42	2.66	0.49	1691	4.97	2.44	0.49	1791	4.10	2.01	0.49	1856
32	18	5.92	5.15	0.87	1254	5.86	5.10	0.87	1266	5.80	5.05	0.87	1277	5.73	4.98	0.87	1287	5.67	4.93	0.87	1294	5.61	4.88	0.87	1337	5.53	4.81	0.87	1396	5.43	4.73	0.87	1491	5.30	4.61	0.87	1560	5.15	4.48	0.87	1619	4.73	4.11	0.87	1720	3.90	3.39	0.87	1785
32	20	6.04	5.26	0.87	1280	5.98	5.21	0.87	1292	5.92	5.15	0.87	1303	5.84	5.08	0.87	1314	5.78	5.03	0.87	1320	5.72	4.98	0.87	1363	5.64	4.91	0.87	1423	5.54	4.82	0.87	1517	5.41	4.71	0.87	1586	5.26	4.57	0.87	1645	4.82	4.20	0.87	1746	3.98	3.46	0.87	1812
32	22	6.16	4.75	0.77	1298	6.10	4.70	0.77	1310	6.04	4.65	0.77	1321	5.96	4.59	0.77	1332	5.90	4.54	0.77	1338	5.84	4.49	0.77	1381	5.76	4.43	0.77	1440	5.65	4.35	0.77	1535	5.52	4.25	0.77	1604	5.36	4.13	0.77	1663	4.92	3.79	0.77	1764	4.06	3.13	0.77	1829
32	24	6.21	4.03	0.65	1319	6.15	3.99	0.65	1331	6.08	3.95	0.65	1342	6.00	3.90	0.65	1353	5.94	3.86	0.65	1359	5.88	3.82	0.65	1402	5.80	3.77	0.65	1461	5.69	3.70	0.65	1556	5.56	3.61	0.65	1625	5.40	3.51	0.65	1684	4.96	3.22	0.65	1785	4.09	2.66	0.65	1850
32	26	6.29	3.34	0.53	1343	6.23	3.30	0.53	1355	6.16	3.27	0.53	1366	6.08	3.22	0.53	1377	6.02	3.19	0.53	1383	5.96	3.16	0.53	1426	5.88	3.11	0.53	1486	5.77	3.06	0.53	1580	5.64	2.99	0.53	1649	5.47	2.90	0.53	1708	5.02	2.66	0.53	1809	4.15	2.20	0.53	1875

**Remarks:**

**Q:** Total Heating / Cooling Capacity (Gross) kW

**INPUT:** Power Input (including the compressor, evap. fan motor & cond. **W DB:** Dry Bulb

Temperature

**WB:** Wet Bulb Temperature

**SHC:** Sensible Heat Capacity

**SHF:** Sensible Heat Factor

## 4. CAPACITIES AND SELECTION DATA

The following charts show the characteristics of outdoor unit capacity, which corresponds with the operating ambient temperature of outdoor unit. Conditions:

⑤ Pipe length / height difference: 5m / 0m ② Indoor fan speed at high fan speed ③ Capacity loss due to white frost and defrost operation is not included.

24K

PERFORMANCE DATA (Cooling Operation at Rated Frequency)																																																	
AUV-24UR4SJA5																																																	
CAPACITY: 7.0 kW SHF: 0.75 INPUT: 2380 W																																																	
ID DB (°C)	IN WB (°C)	OUTDOOR DB (°C)																																															
		-15		-5		0		5		10		15		20		25		30		35		40		45																									
		Q	SHC	SHF	IPT	Q	SHC	SHF	IPT	Q	SHC	SHF	IPT	Q	SHC	SHF	IPT	Q	SHC	SHF	IPT	Q	SHC	SHF	IPT	Q	SHC	SHF	IPT	Q	SHC	SHF	IPT	Q	SHC	SHF	IPT	Q	SHC	SHF	IPT								
21	18	6.78	3.86	0.57	1730	6.71	3.82	0.57	1746	6.64	3.78	0.57	1762	6.55	3.73	0.57	1776	6.49	3.70	0.57	1785	6.42	3.66	0.57	1844	6.33	3.61	0.57	1926	6.22	3.54	0.57	2056	6.07	3.46	0.57	2151	5.89	3.36	0.57	2231	5.41	3.08	0.57	2370	4.46	2.54	0.57	2461
21	20	7.06	3.18	0.45	1753	6.99	3.14	0.45	1769	6.91	3.11	0.45	1785	6.82	3.07	0.45	1799	6.75	3.04	0.45	1808	6.68	3.01	0.45	1868	6.59	2.96	0.45	1949	6.47	2.91	0.45	2079	6.32	2.84	0.45	2174	6.14	2.76	0.45	2255	5.63	2.53	0.45	2394	4.65	2.09	0.45	2484
22	18	6.99	4.26	0.61	1747	6.92	4.22	0.61	1763	6.84	4.17	0.61	1779	6.75	4.12	0.61	1794	6.69	4.08	0.61	1803	6.61	4.03	0.61	1863	6.52	3.98	0.61	1945	6.41	3.91	0.61	2076	6.26	3.82	0.61	2172	6.07	3.71	0.61	2254	5.58	3.40	0.61	2394	4.60	2.81	0.61	2486
22	20	7.20	3.53	0.49	1771	7.13	3.49	0.49	1787	7.05	3.45	0.49	1803	6.96	3.41	0.49	1818	6.89	3.38	0.49	1827	6.82	3.34	0.49	1887	6.72	3.29	0.49	1969	6.60	3.24	0.49	2100	6.45	3.16	0.49	2196	6.26	3.07	0.49	2278	5.75	2.82	0.49	2418	4.74	2.32	0.49	2509
22	22	7.32	2.71	0.37	1787	7.25	2.68	0.37	1803	7.17	2.65	0.37	1819	7.08	2.62	0.37	1834	7.01	2.59	0.37	1843	6.93	2.56	0.37	1903	6.84	2.53	0.37	1985	6.72	2.48	0.37	2116	6.56	2.43	0.37	2212	6.37	2.36	0.37	2294	5.85	2.16	0.37	2434	4.82	1.78	0.37	2525
23	18	7.13	4.63	0.65	1765	7.06	4.59	0.65	1781	6.98	4.54	0.65	1797	6.89	4.48	0.65	1812	6.82	4.44	0.65	1821	6.75	4.39	0.65	1882	6.66	4.33	0.65	1965	6.54	4.25	0.65	2097	6.38	4.15	0.65	2194	6.20	4.03	0.65	2277	5.69	3.70	0.65	2418	4.69	3.05	0.65	2511
23	20	7.35	3.89	0.53	1789	7.27	3.86	0.53	1805	7.19	3.81	0.53	1821	7.10	3.76	0.53	1836	7.03	3.73	0.53	1845	6.96	3.69	0.53	1906	6.86	3.64	0.53	1989	6.74	3.57	0.53	2121	6.58	3.49	0.53	2218	6.39	3.39	0.53	2301	5.86	3.11	0.53	2442	4.84	2.56	0.53	2535
23	22	7.47	3.06	0.41	1805	7.40	3.03	0.41	1822	7.32	3.00	0.41	1838	7.22	2.96	0.41	1852	7.15	2.93	0.41	1862	7.07	2.90	0.41	1922	6.98	2.86	0.41	2005	6.85	2.81	0.41	2138	6.69	2.74	0.41	2235	6.50	2.66	0.41	2317	5.96	2.45	0.41	2459	4.92	2.02	0.41	2551
24	18	7.27	5.02	0.69	1783	7.20	4.97	0.69	1799	7.12	4.92	0.69	1816	7.03	4.85	0.69	1830	6.96	4.80	0.69	1840	6.89	4.75	0.69	1901	6.79	4.69	0.69	1984	6.67	4.60	0.69	2119	6.52	4.50	0.69	2216	6.33	4.36	0.69	2300	5.81	4.01	0.69	2443	4.79	3.31	0.69	2536
24	20	7.50	4.27	0.57	1807	7.42	4.23	0.57	1823	7.34	4.18	0.57	1840	7.25	4.13	0.57	1855	7.18	4.09	0.57	1864	7.10	4.05	0.57	1925	7.00	3.99	0.57	2009	6.88	3.92	0.57	2143	6.71	3.83	0.57	2241	6.52	3.72	0.57	2324	5.98	3.41	0.57	2467	4.94	2.81	0.57	2560
24	22	7.62	3.43	0.45	1824	7.55	3.40	0.45	1840	7.47	3.36	0.45	1856	7.37	3.32	0.45	1871	7.30	3.28	0.45	1880	7.22	3.25	0.45	1941	7.12	3.20	0.45	2025	6.99	3.15	0.45	2159	6.83	3.07	0.45	2257	6.63	2.98	0.45	2340	6.09	2.74	0.45	2484	5.02	2.26	0.45	2577
24	24	7.73	2.55	0.33	1843	7.65	2.53	0.33	1859	7.57	2.50	0.33	1876	7.47	2.47	0.33	1890	7.40	2.44	0.33	1900	7.32	2.42	0.33	1961	7.22	2.38	0.33	2045	7.09	2.34	0.33	2179	6.92	2.29	0.33	2277	6.72	2.22	0.33	2360	6.17	2.04	0.33	2503	5.09	1.68	0.33	2596
25	18	7.50	5.47	0.73	1801	7.42	5.42	0.73	1817	7.34	5.36	0.73	1834	7.25	5.29	0.73	1849	7.18	5.24	0.73	1858	7.10	5.18	0.73	1920	7.00	5.11	0.73	2004	6.88	5.02	0.73	2140	6.72	4.90	0.73	2239	6.52	4.76	0.73	2323	5.99	4.37	0.73	2467	4.94	3.61	0.73	2562
25	20	7.73	4.71	0.61	1825	7.65	4.67	0.61	1842	7.57	4.62	0.61	1858	7.47	4.56	0.61	1873	7.40	4.51	0.61	1883	7.32	4.46	0.61	1944	7.22	4.40	0.61	2029	7.09	4.32	0.61	2164	6.92	4.22	0.61	2263	6.72	4.10	0.61	2347	6.17	3.76	0.61	2492	5.09	3.10	0.61	2586
25	22	7.86	3.85	0.49	1842	7.78	3.81	0.49	1859	7.70	3.77	0.49	1875	7.60	3.72	0.49	1890	7.52	3.69	0.49	1899	7.44	3.65	0.49	1961	7.34	3.60	0.49	2046	7.21	3.53	0.49	2181	7.04	3.45	0.49	2280	6.83	3.35	0.49	2364	6.27	3.07	0.49	2509	5.18	2.54	0.49	2603
25	24	7.97	2.95	0.37	1862	7.89	2.92	0.37	1878	7.81	2.89	0.37	1895	7.70	2.85	0.37	1910	7.63	2.82	0.37	1919	7.55	2.79	0.37	1981	7.44	2.75	0.37	2065	7.31	2.70	0.37	2201	7.14	2.64	0.37	2300	6.93	2.56	0.37	2384	6.36	2.35	0.37	2528	5.25	1.94	0.37	2622
26	18	7.73	5.95	0.77	1819	7.65	5.89	0.77	1836	7.57	5.83	0.77	1852	7.47	5.75	0.77	1867	7.40	5.70	0.77	1877	7.32	5.64	0.77	1939	7.22	5.56	0.77	2025	7.09	5.46	0.77	2162	6.92	5.33	0.77	2261	6.72	5.18	0.77	2346	6.17	4.75	0.77	2492	5.09	3.92	0.77	2587
26	20	7.97	5.18	0.65	1844	7.89	5.13	0.65	1860	7.80	5.07	0.65	1877	7.70	5.01	0.65	1892	7.63	4.96	0.65	1902	7.54	4.90	0.65	1964	7.44	4.84	0.65	2049	7.31	4.75	0.65	2186	7.14	4.64	0.65	2286	6.93	4.50	0.65	2371	6.36	4.13	0.65	2517	5.25	3.41	0.65	2612
26	22	8.10	4.29	0.53	1861	8.02	4.25	0.53	1877	7.94	4.21	0.53	1894	7.83	4.15	0.53	1909	7.76	4.11	0.53	1918	7.67	4.07	0.53	1981	7.57	4.01	0.53	2066	7.43	3.94	0.53	2203	7.26	3.85	0.53	2303	7.05	3.73	0.53	2388	6.47	3.43	0.53	2534	5.34	2.83	0.53	2629
26	24	8.22	3.37	0.41	1880	8.14	3.34	0.41	1897	8.05	3.30	0.41	1914	7.94	3.26	0.41	1929	7.86	3.22	0.41	1938	7.78	3.19	0.41	2001	7.67	3.15	0.41	2086	7.54	3.09	0.41	2223	7.36	3.02	0.41	2323	7.15	2.93	0.41	2408	6.56	2.69	0.41	2554	5.41	2.22	0.41	2649
26	26	8.35	2.42	0.29	1903	8.27	2.40	0.29	1920	8.18	2.37	0.29	1937	8.07	2.34	0.29	1952	7.99	2.32	0.29	1961	7.90	2.29	0.29	2023	7.79	2.26	0.29	2109	7.66	2.22	0.29	2246	7.48	2.17	0.29	2346	7.26	2.11	0.29	2430	6.66	1.93	0.29	2577	5.50	1.59	0.29	2672
27	18	7.89	6.39	0.81	1837	7.81	6.33	0.81	1854	7.73	6.26	0.81	1871	7.63	6.18	0.81	1886	7.55	6.12	0.81	1896	7.47	6.05	0.81	1959	7.37	5.97	0.81	2045	7.24	5.86	0.81	2183	7.07	5.72	0.81	2284	6.86	5.56	0.81	2370	6.30	5.10	0.81	2518	5.20	4.21	0.81	2614
27	20	8.05	6.04	0.75	1847	7.97	5.98	0.75	1864	7.88	5.91	0.75	1881	7.78	5.84	0.75	1896	7.70	5.78	0.75	1906	7.62	5.72	0.75	1969	7.52	5.64	0.75	2055	7.38	5.54	0.75	2193	7.21	5.41	0.75	2294	7.00	5.25	0.75	2380	6.43	4.82	0.75	2528	5.30	3.98	0.75	2624
27	22	8.13	5.61	0.69	1862	8.05	5.55	0.69	1879	7.96	5.49	0.69	1896	7.86	5.42	0.69	1911	7.78	5.37	0.69	1921	7.70	5.31	0.69	1984	7.59	5.24	0.69	2070	7.46	5.15	0.69	2208	7.28	5.02	0.69	2309	7.07	4.88	0.69	2395	6.49	4.48	0.69	2543	5.35	3.69	0.69	2639
27	24	8.27	4.71	0.57	1879	8.19	4.67	0.57	1896	8.10	4.62	0.57	1913	7.99	4.56	0.57	1928	7.91	4.51	0.57	1938	7.83	4.46	0.57	2001	7.72	4.40	0.57	2087	7.58	4.32	0.57	2225	7.41	4.22	0.57	2326	7.19	4.10	0.57	2412	6.60	3.76	0.57	2560	5.45	3.10	0.57	2656
27	26	8.38	3.77	0.45	1899	8.30	3.74	0.45	1916	8.21	3.69	0.45	1933	8.11	3.65	0.45	1948	8.03	3.61	0.45	1958	7.94	3.57	0.45	2021	7.83	3.52	0.45	2107	7.69	3.																		

## 4. CAPACITIES AND SELECTION DATA

PERFORMANCE DATA (Cooling Operation at Rated Frequency)																																																	
AUV-24UR4SJA5																																																	
CAPACITY: 7.0 kW SHF: 0.75 INPUT: 2380 W																																																	
ID DB (°C)	IN WB (°C)	OUTDOOR DB (°C)																																															
		-15			-5			0			5			10			15			20			25			30			35			40			45														
		Q	SHC	SHF	IPT	Q	SHC	SHF	IPT	Q	SHC	SHF	IPT	Q	SHC	SHF	IPT	Q	SHC	SHF	IPT	Q	SHC	SHF	IPT	Q	SHC	SHF	IPT	Q	SHC	SHF	IPT	Q	SHC	SHF	IPT	Q	SHC	SHF	IPT								
29	18	8.05	7.00	0.87	1827	7.97	6.93	0.87	1844	7.88	6.86	0.87	1860	7.78	6.77	0.87	1875	7.70	6.70	0.87	1885	7.62	6.63	0.87	1948	7.51	6.54	0.87	2033	7.38	6.42	0.87	2171	7.21	6.27	0.87	2271	7.00	6.09	0.87	2356	6.42	5.59	0.87	2503	5.30	4.61	0.87	2599
29	20	8.21	6.32	0.77	1852	8.13	6.26	0.77	1869	8.04	6.19	0.77	1886	7.94	6.11	0.77	1901	7.86	6.05	0.77	1910	7.77	5.99	0.77	1973	7.67	5.90	0.77	2059	7.53	5.80	0.77	2196	7.35	5.66	0.77	2297	7.14	5.50	0.77	2382	6.56	5.05	0.77	2529	5.41	4.16	0.77	2624
29	22	8.38	5.44	0.65	1870	8.29	5.39	0.65	1886	8.20	5.33	0.65	1903	8.10	5.26	0.65	1918	8.02	5.21	0.65	1928	7.93	5.15	0.65	1990	7.82	5.08	0.65	2076	7.68	4.99	0.65	2214	7.50	4.88	0.65	2314	7.28	4.73	0.65	2399	6.69	4.35	0.65	2546	5.52	3.59	0.65	2642
29	24	8.43	4.47	0.53	1890	8.35	4.43	0.53	1907	8.26	4.38	0.53	1924	8.15	4.32	0.53	1939	8.07	4.28	0.53	1948	7.99	4.23	0.53	2011	7.88	4.17	0.53	2097	7.74	4.10	0.53	2234	7.55	4.00	0.53	2334	7.33	3.89	0.53	2420	6.73	3.57	0.53	2566	5.55	2.94	0.53	2662
29	26	8.55	3.51	0.41	1914	8.47	3.47	0.41	1930	8.38	3.43	0.41	1947	8.27	3.39	0.41	1962	8.19	3.36	0.41	1972	8.10	3.32	0.41	2034	7.99	3.27	0.41	2120	7.84	3.22	0.41	2258	7.66	3.14	0.41	2358	7.44	3.05	0.41	2443	6.83	2.80	0.41	2590	5.63	2.31	0.41	2685
30	18	8.13	7.07	0.87	1845	8.05	7.00	0.87	1862	7.96	6.92	0.87	1879	7.86	6.84	0.87	1894	7.78	6.77	0.87	1904	7.70	6.69	0.87	1967	7.59	6.60	0.87	2054	7.45	6.49	0.87	2193	7.28	6.33	0.87	2294	7.07	6.15	0.87	2380	6.49	5.64	0.87	2528	5.35	4.66	0.87	2625
30	20	8.29	6.72	0.81	1871	8.21	6.65	0.81	1888	8.12	6.58	0.81	1905	8.02	6.49	0.81	1920	7.94	6.43	0.81	1930	7.85	6.36	0.81	1993	7.74	6.27	0.81	2080	7.61	6.16	0.81	2218	7.43	6.02	0.81	2320	7.21	5.84	0.81	2406	6.62	5.36	0.81	2554	5.46	4.42	0.81	2650
30	22	8.46	5.84	0.69	1888	8.38	5.78	0.69	1905	8.28	5.72	0.69	1922	8.18	5.64	0.69	1938	8.10	5.59	0.69	1947	8.01	5.53	0.69	2010	7.90	5.45	0.69	2097	7.76	5.35	0.69	2236	7.58	5.23	0.69	2337	7.36	5.08	0.69	2423	6.75	4.66	0.69	2571	5.57	3.84	0.69	2668
30	24	8.52	4.86	0.57	1909	8.43	4.81	0.57	1926	8.34	4.76	0.57	1943	8.24	4.69	0.57	1958	8.15	4.65	0.57	1968	8.07	4.60	0.57	2031	7.95	4.53	0.57	2118	7.81	4.45	0.57	2256	7.63	4.35	0.57	2358	7.41	4.22	0.57	2444	6.80	3.88	0.57	2592	5.61	3.20	0.57	2689
30	26	8.64	3.89	0.45	1933	8.55	3.85	0.45	1950	8.46	3.81	0.45	1967	8.35	3.76	0.45	1982	8.27	3.72	0.45	1991	8.18	3.68	0.45	2055	8.07	3.63	0.45	2141	7.92	3.57	0.45	2280	7.74	3.48	0.45	2382	7.51	3.38	0.45	2468	6.90	3.10	0.45	2616	5.69	2.56	0.45	2712
31	18	8.21	7.14	0.87	1864	8.13	7.07	0.87	1881	8.04	6.99	0.87	1898	7.94	6.90	0.87	1913	7.86	6.84	0.87	1923	7.77	6.76	0.87	1987	7.66	6.67	0.87	2074	7.53	6.55	0.87	2214	7.35	6.40	0.87	2317	7.14	6.21	0.87	2404	6.55	5.70	0.87	2553	5.41	4.70	0.87	2651
31	20	8.38	7.12	0.85	1890	8.29	7.05	0.85	1907	8.20	6.97	0.85	1924	8.10	6.88	0.85	1939	8.02	6.82	0.85	1949	7.93	6.74	0.85	2013	7.82	6.65	0.85	2100	7.68	6.53	0.85	2240	7.50	6.38	0.85	2343	7.28	6.19	0.85	2430	6.69	5.68	0.85	2579	5.52	4.69	0.85	2677
31	22	8.54	6.24	0.73	1907	8.46	6.18	0.73	1924	8.37	6.11	0.73	1941	8.26	6.03	0.73	1957	8.18	5.97	0.73	1967	8.09	5.91	0.73	2030	7.98	5.82	0.73	2118	7.84	5.72	0.73	2258	7.65	5.59	0.73	2361	7.43	5.42	0.73	2448	6.82	4.98	0.73	2597	5.63	4.11	0.73	2695
31	24	8.60	5.25	0.61	1928	8.52	5.20	0.61	1945	8.43	5.14	0.61	1962	8.32	5.07	0.61	1978	8.24	5.02	0.61	1987	8.15	4.97	0.61	2051	8.03	4.90	0.61	2139	7.89	4.81	0.61	2279	7.71	4.70	0.61	2381	7.48	4.56	0.61	2468	6.87	4.19	0.61	2618	5.67	3.46	0.61	2715
31	26	8.72	4.28	0.49	1952	8.64	4.23	0.49	1969	8.54	4.19	0.49	1986	8.43	4.13	0.49	2002	8.35	4.09	0.49	2011	8.26	4.05	0.49	2075	8.15	3.99	0.49	2163	8.00	3.92	0.49	2303	7.81	3.83	0.49	2405	7.59	3.72	0.49	2492	6.96	3.41	0.49	2642	5.75	2.82	0.49	2739
32	18	8.29	7.21	0.87	1882	8.21	7.14	0.87	1899	8.12	7.06	0.87	1917	8.02	6.97	0.87	1932	7.94	6.90	0.87	1942	7.85	6.83	0.87	2007	7.74	6.73	0.87	2095	7.60	6.62	0.87	2237	7.43	6.46	0.87	2340	7.21	6.27	0.87	2428	6.62	5.76	0.87	2579	5.46	4.75	0.87	2677
32	20	8.46	7.36	0.87	1909	8.38	7.29	0.87	1926	8.29	7.21	0.87	1943	8.18	7.12	0.87	1959	8.10	7.05	0.87	1968	8.01	6.97	0.87	2033	7.90	6.87	0.87	2121	7.76	6.75	0.87	2263	7.58	6.59	0.87	2366	7.36	6.40	0.87	2454	6.75	5.88	0.87	2605	5.57	4.85	0.87	2704
32	22	8.63	6.64	0.77	1926	8.54	6.58	0.77	1944	8.45	6.51	0.77	1961	8.34	6.42	0.77	1976	8.26	6.36	0.77	1986	8.17	6.29	0.77	2051	8.06	6.20	0.77	2139	7.91	6.09	0.77	2281	7.73	5.95	0.77	2384	7.50	5.78	0.77	2472	6.89	5.30	0.77	2623	5.68	4.38	0.77	2722
32	24	8.69	5.65	0.65	1947	8.60	5.59	0.65	1965	8.51	5.53	0.65	1982	8.40	5.46	0.65	1997	8.32	5.41	0.65	2007	8.23	5.35	0.65	2072	8.11	5.27	0.65	2160	7.97	5.18	0.65	2302	7.78	5.06	0.65	2405	7.56	4.91	0.65	2493	6.94	4.51	0.65	2644	5.72	3.72	0.65	2743
32	26	8.81	4.67	0.53	1972	8.72	4.62	0.53	1989	8.63	4.57	0.53	2006	8.52	4.51	0.53	2022	8.43	4.47	0.53	2031	8.34	4.42	0.53	2096	8.23	4.36	0.53	2184	8.08	4.28	0.53	2326	7.89	4.18	0.53	2429	7.66	4.06	0.53	2517	7.03	3.73	0.53	2668	5.80	3.08	0.53	2767

**Remarks:**

**Q:** Total Heating / Cooling Capacity (Gross) kW

**INPUT:** Power Input (including the compressor, evap. fan motor & cond. **W DB:** Dry Bulb

Temperature

**WB:** Wet Bulb Temperature

**SHC:** Sensible Heat Capacity

**SHF:** Sensible Heat Factor

## 4. CAPACITIES AND SELECTION DAA

The following charts show the characteristics of outdoor unit capacity, which corresponds with the operating ambient temperature of outdoor unit. Conditions:

⑥ Pipe length / height difference: 5m / 0m ② Indoor fan speed at high fan speed ③ Capacity loss due to white frost and defrost operation is not included.

36K

PERFORMANCE DATA (Cooling Operation at Rated Frequency)																																																	
AUV-36UR4SKC5																																																	
CAPACITY: 9.5 kW SHF: 0.75 INPUT: 3505 W																																																	
ID DB (°C)	IN WB (°C)	OUTDOOR DB (°C)																																															
		-15		-5		0		5		10		15		20		25		30		35		40		45																									
		Q	SHC	SHF	IPT	Q	SHC	SHF	IPT	Q	SHC	SHF	IPT	Q	SHC	SHF	IPT	Q	SHC	SHF	IPT	Q	SHC	SHF	IPT	Q	SHC	SHF	IPT	Q	SHC	SHF	IPT	Q	SHC	SHF	IPT	Q	SHC	SHF	IPT								
21	18	9.20	5.24	0.57	2552	9.11	5.19	0.57	2575	9.01	5.13	0.57	2599	8.89	5.07	0.57	2620	8.80	5.02	0.57	2633	8.71	4.96	0.57	2720	8.59	4.89	0.57	2840	8.43	4.81	0.57	3032	8.24	4.70	0.57	3172	8.00	4.56	0.57	3290	7.34	4.18	0.57	3495	6.06	3.45	0.57	3628
21	20	9.58	4.31	0.45	2576	9.48	4.27	0.45	2599	9.38	4.22	0.45	2622	9.26	4.17	0.45	2643	9.17	4.12	0.45	2657	9.07	4.08	0.45	2744	8.94	4.02	0.45	2864	8.78	3.95	0.45	3055	8.58	3.86	0.45	3195	8.33	3.75	0.45	3314	7.64	3.44	0.45	3519	6.31	2.84	0.45	3652
22	18	9.48	5.78	0.61	2578	9.39	5.73	0.61	2601	9.28	5.66	0.61	2625	9.17	5.59	0.61	2646	9.07	5.54	0.61	2660	8.98	5.48	0.61	2748	8.85	5.40	0.61	2869	8.70	5.30	0.61	3062	8.49	5.18	0.61	3204	8.24	5.03	0.61	3324	7.57	4.62	0.61	3530	6.24	3.81	0.61	3665
22	20	9.77	4.79	0.49	2602	9.67	4.74	0.49	2625	9.57	4.69	0.49	2649	9.45	4.63	0.49	2670	9.35	4.58	0.49	2683	9.25	4.53	0.49	2772	9.12	4.47	0.49	2893	8.96	4.39	0.49	3086	8.75	4.29	0.49	3227	8.50	4.16	0.49	3347	7.80	3.82	0.49	3554	6.44	3.15	0.49	3689
22	22	9.94	3.68	0.37	2618	9.84	3.64	0.37	2641	9.73	3.60	0.37	2665	9.61	3.55	0.37	2686	9.51	3.52	0.37	2700	9.41	3.48	0.37	2788	9.28	3.43	0.37	2909	9.11	3.37	0.37	3102	8.90	3.29	0.37	3244	8.64	3.20	0.37	3364	7.93	2.94	0.37	3570	6.54	2.42	0.37	3705
23	18	9.67	6.29	0.65	2604	9.58	6.23	0.65	2628	9.47	6.16	0.65	2652	9.35	6.08	0.65	2673	9.26	6.02	0.65	2687	9.16	5.95	0.65	2776	9.03	5.87	0.65	2898	8.87	5.77	0.65	3093	8.67	5.63	0.65	3236	8.41	5.47	0.65	3357	7.72	5.02	0.65	3566	6.37	4.14	0.65	3702
23	20	9.97	5.28	0.53	2628	9.87	5.23	0.53	2652	9.76	5.18	0.53	2676	9.64	5.11	0.53	2697	9.54	5.06	0.53	2711	9.44	5.00	0.53	2800	9.31	4.93	0.53	2922	9.14	4.85	0.53	3117	8.93	4.73	0.53	3260	8.67	4.60	0.53	3381	7.96	4.22	0.53	3590	6.57	3.48	0.53	3726
23	22	10.14	4.16	0.41	2644	10.04	4.12	0.41	2668	9.93	4.07	0.41	2692	9.80	4.02	0.41	2713	9.71	3.98	0.41	2727	9.60	3.94	0.41	2816	9.47	3.88	0.41	2938	9.30	3.81	0.41	3134	9.08	3.72	0.41	3276	8.82	3.62	0.41	3398	8.09	3.32	0.41	3606	6.68	2.74	0.41	3742
24	18	9.87	6.81	0.69	2630	9.77	6.74	0.69	2654	9.67	6.67	0.69	2678	9.54	6.59	0.69	2700	9.45	6.52	0.69	2714	9.35	6.45	0.69	2804	9.22	6.36	0.69	2927	9.05	6.25	0.69	3125	8.84	6.10	0.69	3269	8.58	5.92	0.69	3391	7.88	5.44	0.69	3602	6.50	4.49	0.69	3739
24	20	10.17	5.80	0.57	2654	10.07	5.74	0.57	2678	9.96	5.68	0.57	2703	9.84	5.61	0.57	2724	9.74	5.55	0.57	2738	9.63	5.49	0.57	2828	9.50	5.41	0.57	2951	9.33	5.32	0.57	3149	9.11	5.19	0.57	3293	8.85	5.04	0.57	3415	8.12	4.63	0.57	3626	6.70	3.82	0.57	3764
24	22	10.35	4.66	0.45	2671	10.24	4.61	0.45	2695	10.13	4.56	0.45	2719	10.00	4.50	0.45	2741	9.90	4.46	0.45	2754	9.80	4.41	0.45	2844	9.66	4.35	0.45	2968	9.49	4.27	0.45	3165	9.27	4.17	0.45	3310	9.00	4.05	0.45	3432	8.26	3.72	0.45	3643	6.81	3.07	0.45	3780
24	24	10.49	3.46	0.33	2690	10.39	3.43	0.33	2714	10.27	3.39	0.33	2739	10.14	3.35	0.33	2760	10.04	3.31	0.33	2774	9.93	3.28	0.33	2864	9.80	3.23	0.33	2987	9.62	3.18	0.33	3185	9.40	3.10	0.33	3329	9.12	3.01	0.33	3451	8.38	2.76	0.33	3662	6.91	2.28	0.33	3799
25	18	10.18	7.43	0.73	2657	10.08	7.36	0.73	2681	9.97	7.28	0.73	2705	9.84	7.18	0.73	2727	9.74	7.11	0.73	2741	9.64	7.03	0.73	2832	9.50	6.94	0.73	2957	9.33	6.81	0.73	3156	9.12	6.65	0.73	3302	8.85	6.46	0.73	3425	8.12	5.93	0.73	3638	6.70	4.89	0.73	3777
25	20	10.49	6.40	0.61	2681	10.38	6.33	0.61	2706	10.27	6.27	0.61	2730	10.14	6.19	0.61	2752	10.04	6.12	0.61	2766	9.93	6.06	0.61	2857	9.79	5.97	0.61	2981	9.62	5.87	0.61	3181	9.39	5.73	0.61	3326	9.12	5.56	0.61	3450	8.37	5.11	0.61	3663	6.91	4.21	0.61	3802
25	22	10.67	5.23	0.49	2698	10.56	5.18	0.49	2722	10.45	5.12	0.49	2747	10.31	5.05	0.49	2769	10.21	5.00	0.49	2782	10.10	4.95	0.49	2873	9.96	4.88	0.49	2998	9.78	4.79	0.49	3197	9.55	4.68	0.49	3343	9.28	4.55	0.49	3467	8.52	4.17	0.49	3680	7.03	3.44	0.49	3818
25	24	10.82	4.00	0.37	2718	10.71	3.96	0.37	2742	10.59	3.92	0.37	2766	10.46	3.87	0.37	2788	10.35	3.83	0.37	2802	10.24	3.79	0.37	2893	10.10	3.74	0.37	3017	9.92	3.67	0.37	3217	9.69	3.58	0.37	3363	9.41	3.48	0.37	3486	8.63	3.19	0.37	3699	7.12	2.64	0.37	3838
26	18	10.49	8.08	0.77	2684	10.39	8.00	0.77	2708	10.27	7.91	0.77	2733	10.14	7.81	0.77	2755	10.04	7.73	0.77	2769	9.93	7.65	0.77	2861	9.80	7.54	0.77	2986	9.62	7.41	0.77	3188	9.40	7.24	0.77	3335	9.12	7.03	0.77	3460	8.38	6.45	0.77	3675	6.91	5.32	0.77	3815
26	20	10.81	7.03	0.65	2708	10.71	6.96	0.65	2733	10.59	6.88	0.65	2758	10.45	6.79	0.65	2780	10.35	6.73	0.65	2794	10.24	6.65	0.65	2885	10.10	6.56	0.65	3011	9.92	6.45	0.65	3213	9.69	6.30	0.65	3360	9.40	6.11	0.65	3485	8.63	5.61	0.65	3700	7.12	4.63	0.65	3840
26	22	11.00	5.83	0.53	2725	10.89	5.77	0.53	2750	10.77	5.71	0.53	2774	10.63	5.63	0.53	2796	10.53	5.58	0.53	2810	10.41	5.52	0.53	2902	10.27	5.44	0.53	3028	10.09	5.35	0.53	3230	9.85	5.22	0.53	3377	9.56	5.07	0.53	3502	8.78	4.65	0.53	3717	7.24	3.84	0.53	3857
26	24	11.15	4.57	0.41	2745	11.04	4.53	0.41	2769	10.92	4.48	0.41	2794	10.78	4.42	0.41	2816	10.67	4.38	0.41	2830	10.56	4.33	0.41	2922	10.41	4.27	0.41	3048	10.23	4.19	0.41	3249	9.99	4.09	0.41	3397	9.70	3.98	0.41	3521	8.90	3.65	0.41	3737	7.34	3.01	0.41	3877
26	26	11.33	3.29	0.29	2768	11.22	3.25	0.29	2792	11.10	3.22	0.29	2817	10.95	3.18	0.29	2839	10.84	3.14	0.29	2853	10.73	3.11	0.29	2945	10.58	3.07	0.29	3071	10.39	3.01	0.29	3272	10.15	2.94	0.29	3419	9.85	2.86	0.29	3544	9.04	2.62	0.29	3759	7.46	2.16	0.29	3899
27	18	10.71	8.67	0.81	2711	10.60	8.59	0.81	2735	10.48	8.49	0.81	2760	10.35	8.38	0.81	2783	10.25	8.30	0.81	2797	10.14	8.21	0.81	2890	10.00	8.10	0.81	3017	9.82	7.95	0.81	3220	9.59	7.77	0.81	3369	9.31	7.54	0.81	3495	8.55	6.92	0.81	3712	7.05	5.71	0.81	3854
27	20	10.92	8.19	0.75	2721	10.82	8.11	0.75	2745	10.70	8.02	0.75	2770	10.56	7.92	0.75	2793	10.46	7.84	0.75	2807	10.34	7.76	0.75	2900	10.20	7.65	0.75	3027	10.02	7.51	0.75	3230	9.79	7.34	0.75	3379	9.50	7.13	0.75	3505	8.72	6.54	0.75	3722	7.19	5.40	0.75	3864
27	22	11.03	7.61	0.69	2736	10.92	7.54	0.69	2760	10.81	7.46	0.69	2785	10.67	7.36	0.69	2808	10.56	7.29	0.69	2822	10.45	7.21	0.69	2915	10.30	7.11	0.69	3042	10.12	6.98	0.69	3245	9.88	6.82	0.69	3394	9.60	6.62	0.69	3520	8.81	6.08	0.69	3737	7.27	5.01	0.69	3879
27	24	11.22	6.40	0.57	2753	11.11	6.33	0.57	2777	10.99	6.26	0.57	2802	10.85	6.18	0.57	2825	10.74	6.12	0.57	2839	10.62	6.06	0.57	2932	10.48	5.97	0.57	3059	10.29	5.87	0.57	3262	10.05	5.73	0.57	3411	9.76	5.56	0.57	3537	8.96	5.11	0.57	3754	7.39	4.21	0.57	3896
27	26	11.38	5.12	0.45	2773	11.27	5.07	0.45	2797	11.14	5.01	0.45	2822	11.00	4.95	0.45	2845	10.89	4.																														

## 4. CAPACITIES AND SELECTION DATA

PERFORMANCE DATA (Cooling Operation at Rated Frequency)																																																	
AUV-36UR4SKC5																																																	
CAPACITY: 9.5 kW SHF: 0.75 INPUT: 3505 W																																																	
ID DB (°C)	IN WB (°C)	OUTDOOR DB (°C)																																															
		-15		-5		0		5		10		15		20		25		30		35		40		45																									
		Q	SHC	SHF	IPT	Q	SHC	SHF	IPT	Q	SHC	SHF	IPT	Q	SHC	SHF	IPT	Q	SHC	SHF	IPT	Q	SHC	SHF	IPT	Q	SHC	SHF	IPT	Q	SHC	SHF	IPT	Q	SHC	SHF	IPT	Q	SHC	SHF	IPT								
29	18	10.92	9.50	0.87	2765	10.81	9.41	0.87	2790	10.70	9.31	0.87	2816	10.56	9.19	0.87	2839	10.45	9.09	0.87	2853	10.34	9.00	0.87	2948	10.20	8.87	0.87	3077	10.02	8.71	0.87	3285	9.78	8.51	0.87	3437	9.50	8.26	0.87	3565	8.72	7.58	0.87	3787	7.19	6.26	0.87	3931
29	20	11.14	8.58	0.77	2791	11.03	8.50	0.77	2816	10.91	8.40	0.77	2841	10.77	8.30	0.77	2864	10.67	8.21	0.77	2878	10.55	8.12	0.77	2973	10.41	8.01	0.77	3103	10.22	7.87	0.77	3310	9.98	7.69	0.77	3462	9.69	7.46	0.77	3591	8.90	6.85	0.77	3812	7.34	5.65	0.77	3957
29	22	11.37	7.39	0.65	2808	11.25	7.32	0.65	2833	11.13	7.24	0.65	2859	10.99	7.14	0.65	2881	10.88	7.07	0.65	2896	10.76	7.00	0.65	2990	10.61	6.90	0.65	3120	10.43	6.78	0.65	3328	10.18	6.62	0.65	3479	9.88	6.43	0.65	3608	9.07	5.90	0.65	3830	7.49	4.87	0.65	3974
29	24	11.45	6.07	0.53	2828	11.33	6.01	0.53	2854	11.21	5.94	0.53	2879	11.07	5.87	0.53	2902	10.96	5.81	0.53	2916	10.84	5.74	0.53	3011	10.69	5.66	0.53	3141	10.50	5.56	0.53	3348	10.25	5.43	0.53	3500	9.95	5.28	0.53	3628	9.14	4.84	0.53	3850	7.54	4.00	0.53	3994
29	26	11.61	4.76	0.41	2852	11.49	4.71	0.41	2877	11.37	4.66	0.41	2903	11.22	4.60	0.41	2925	11.11	4.56	0.41	2940	10.99	4.51	0.41	3034	10.84	4.44	0.41	3164	10.65	4.36	0.41	3372	10.40	4.26	0.41	3523	10.09	4.14	0.41	3652	9.27	3.80	0.41	3874	7.64	3.13	0.41	4018
30	18	11.03	9.60	0.87	2793	10.92	9.50	0.87	2818	10.80	9.40	0.87	2844	10.66	9.28	0.87	2867	10.56	9.19	0.87	2881	10.44	9.09	0.87	2977	10.30	8.96	0.87	3108	10.12	8.80	0.87	3318	9.88	8.60	0.87	3471	9.59	8.35	0.87	3601	8.81	7.66	0.87	3825	7.26	6.32	0.87	3971
30	20	11.26	9.12	0.81	2819	11.14	9.03	0.81	2844	11.02	8.93	0.81	2870	10.88	8.81	0.81	2893	10.77	8.73	0.81	2907	10.66	8.63	0.81	3003	10.51	8.51	0.81	3134	10.32	8.36	0.81	3343	10.08	8.17	0.81	3497	9.79	7.93	0.81	3627	8.99	7.28	0.81	3851	7.41	6.00	0.81	3996
30	22	11.48	7.92	0.69	2836	11.37	7.84	0.69	2862	11.24	7.76	0.69	2887	11.10	7.66	0.69	2910	10.99	7.58	0.69	2925	10.87	7.50	0.69	3020	10.72	7.40	0.69	3151	10.53	7.27	0.69	3361	10.28	7.10	0.69	3514	9.98	6.89	0.69	3644	9.16	6.32	0.69	3868	7.56	5.22	0.69	4014
30	24	11.56	6.59	0.57	2857	11.45	6.52	0.57	2882	11.32	6.45	0.57	2908	11.18	6.37	0.57	2931	11.07	6.31	0.57	2945	10.95	6.24	0.57	3041	10.79	6.15	0.57	3172	10.60	6.04	0.57	3382	10.36	5.90	0.57	3535	10.05	5.73	0.57	3665	9.23	5.26	0.57	3889	7.61	4.34	0.57	4034
30	26	11.72	5.28	0.45	2880	11.61	5.22	0.45	2906	11.48	5.17	0.45	2932	11.33	5.10	0.45	2955	11.22	5.05	0.45	2969	11.10	4.99	0.45	3065	10.95	4.93	0.45	3196	10.75	4.84	0.45	3405	10.50	4.73	0.45	3558	10.19	4.59	0.45	3688	9.36	4.21	0.45	3912	7.72	3.47	0.45	4058
31	18	11.14	9.69	0.87	2821	11.03	9.60	0.87	2847	10.91	9.49	0.87	2872	10.77	9.37	0.87	2896	10.66	9.28	0.87	2910	10.55	9.18	0.87	3007	10.40	9.05	0.87	3139	10.22	8.89	0.87	3351	9.98	8.68	0.87	3506	9.69	8.43	0.87	3637	8.89	7.74	0.87	3863	7.34	6.38	0.87	4010
31	20	11.37	9.66	0.85	2847	11.26	9.57	0.85	2873	11.13	9.46	0.85	2898	10.99	9.34	0.85	2922	10.88	9.25	0.85	2936	10.76	9.15	0.85	3033	10.61	9.02	0.85	3165	10.43	8.86	0.85	3377	10.18	8.65	0.85	3532	9.89	8.40	0.85	3663	9.08	7.71	0.85	3889	7.49	6.36	0.85	4036
31	22	11.60	8.46	0.73	2865	11.48	8.38	0.73	2890	11.36	8.29	0.73	2916	11.21	8.18	0.73	2939	11.10	8.10	0.73	2954	10.98	8.01	0.73	3051	10.83	7.90	0.73	3183	10.64	7.76	0.73	3395	10.39	7.58	0.73	3549	10.08	7.36	0.73	3681	9.26	6.76	0.73	3907	7.64	5.57	0.73	4054
31	24	11.68	7.12	0.61	2885	11.56	7.05	0.61	2911	11.44	6.98	0.61	2937	11.29	6.89	0.61	2960	11.18	6.82	0.61	2975	11.06	6.74	0.61	3071	10.90	6.65	0.61	3204	10.71	6.53	0.61	3415	10.46	6.38	0.61	3570	10.15	6.19	0.61	3701	9.32	5.69	0.61	3928	7.69	4.69	0.61	4075
31	26	11.84	5.80	0.49	2909	11.72	5.74	0.49	2935	11.60	5.68	0.49	2961	11.45	5.61	0.49	2984	11.33	5.55	0.49	2999	11.21	5.49	0.49	3095	11.06	5.42	0.49	3228	10.86	5.32	0.49	3439	10.61	5.20	0.49	3594	10.30	5.05	0.49	3725	9.45	4.63	0.49	3951	7.80	3.82	0.49	4099
32	18	11.25	9.79	0.87	2849	11.14	9.69	0.87	2875	11.02	9.59	0.87	2901	10.88	9.46	0.87	2925	10.77	9.37	0.87	2939	10.65	9.27	0.87	3037	10.51	9.14	0.87	3171	10.32	8.98	0.87	3384	10.08	8.77	0.87	3541	9.78	8.51	0.87	3673	8.98	7.81	0.87	3902	7.41	6.45	0.87	4050
32	20	11.48	9.99	0.87	2875	11.37	9.89	0.87	2901	11.24	9.78	0.87	2927	11.10	9.66	0.87	2951	10.99	9.56	0.87	2966	10.87	9.46	0.87	3063	10.72	9.33	0.87	3197	10.53	9.16	0.87	3411	10.28	8.95	0.87	3567	9.98	8.69	0.87	3700	9.17	7.97	0.87	3928	7.56	6.58	0.87	4077
32	22	11.71	9.02	0.77	2893	11.60	8.93	0.77	2919	11.47	8.83	0.77	2945	11.32	8.72	0.77	2969	11.21	8.63	0.77	2984	11.09	8.54	0.77	3081	10.93	8.42	0.77	3215	10.74	8.27	0.77	3429	10.49	8.08	0.77	3585	10.18	7.84	0.77	3717	9.35	7.20	0.77	3946	7.71	5.94	0.77	4094
32	24	11.79	7.67	0.65	2914	11.68	7.59	0.65	2940	11.55	7.51	0.65	2966	11.40	7.41	0.65	2990	11.29	7.34	0.65	3005	11.17	7.26	0.65	3102	11.01	7.16	0.65	3236	10.82	7.03	0.65	3450	10.56	6.87	0.65	3606	10.26	6.67	0.65	3738	9.41	6.12	0.65	3967	7.77	5.05	0.65	4116
32	26	11.96	6.34	0.53	2938	11.84	6.28	0.53	2964	11.71	6.21	0.53	2991	11.56	6.13	0.53	3014	11.45	6.07	0.53	3029	11.32	6.00	0.53	3126	11.17	5.92	0.53	3260	10.97	5.81	0.53	3474	10.71	5.68	0.53	3630	10.40	5.51	0.53	3763	9.55	5.06	0.53	3991	7.88	4.17	0.53	4140

**Remarks:**

**Q:** Total Heating / Cooling Capacity (Gross) kW

**INPUT:** Power Input (including the compressor, evap. fan motor & cond. **W DB:** Dry Bulb

Temperature

**WB:** Wet Bulb Temperature

**SHC:** Sensible Heat Capacity

**SHF:** Sensible Heat Factor

## 4. CAPACITIES AND SELECTION DATA

The following charts show the characteristics of outdoor unit capacity, which corresponds with the operating ambient temperature of outdoor unit. Conditions:

⑦ Pipe length / height difference: 5m / 0m ② Indoor fan speed at high fan speed ③ Capacity loss due to white frost and defrost operation is not included.

48K

PERFORMANCE DATA (Cooling Operation at Rated Frequency)																																																	
AUV-48UR6SNC5																																																	
CAPACITY: 13.5 kW SHF: 0.75 INPUT: 5510 W																																																	
ID DB (°C)	IN WB (°C)	OUTDOOR DB (°C)																																															
		-15		-5		0		5		10		15		20		25		30		35		40		45																									
		Q	SHC	SHF	IPT	Q	SHC	SHF	IPT	Q	SHC	SHF	IPT	Q	SHC	SHF	IPT	Q	SHC	SHF	IPT	Q	SHC	SHF	IPT	Q	SHC	SHF	IPT	Q	SHC	SHF	IPT	Q	SHC	SHF	IPT	Q	SHC	SHF	IPT								
21	18	13.07	7.45	0.57	4017	12.94	7.38	0.57	4054	12.80	7.30	0.57	4091	12.63	7.20	0.57	4124	12.51	7.13	0.57	4145	12.37	7.05	0.57	4282	12.20	6.96	0.57	4470	11.99	6.83	0.57	4771	11.71	6.67	0.57	4991	11.36	6.48	0.57	5178	10.43	5.95	0.57	5500	8.61	4.91	0.57	5709
21	20	13.61	6.12	0.45	4041	13.47	6.06	0.45	4077	13.33	6.00	0.45	4114	13.16	5.92	0.45	4147	13.02	5.86	0.45	4168	12.88	5.80	0.45	4306	12.71	5.72	0.45	4494	12.48	5.62	0.45	4795	12.19	5.48	0.45	5015	11.83	5.32	0.45	5202	10.86	4.89	0.45	5523	8.96	4.03	0.45	5733
22	18	13.47	8.22	0.61	4058	13.34	8.14	0.61	4095	13.19	8.05	0.61	4132	13.02	7.95	0.61	4166	12.90	7.87	0.61	4187	12.76	7.78	0.61	4325	12.58	7.67	0.61	4515	12.36	7.54	0.61	4820	12.07	7.36	0.61	5042	11.72	7.15	0.61	5230	10.76	6.56	0.61	5555	8.87	5.41	0.61	5767
22	20	13.89	6.80	0.49	4082	13.75	6.74	0.49	4119	13.60	6.66	0.49	4156	13.42	6.58	0.49	4189	13.29	6.51	0.49	4210	13.15	6.44	0.49	4349	12.96	6.35	0.49	4539	12.74	6.24	0.49	4843	12.44	6.09	0.49	5066	12.07	5.92	0.49	5254	11.08	5.43	0.49	5579	9.14	4.48	0.49	5791
22	22	14.12	5.22	0.37	4098	13.98	5.17	0.37	4135	13.83	5.12	0.37	4172	13.65	5.05	0.37	4206	13.52	5.00	0.37	4227	13.37	4.95	0.37	4365	13.19	4.88	0.37	4555	12.95	4.79	0.37	4859	12.65	4.68	0.37	5082	12.28	4.54	0.37	5270	11.27	4.17	0.37	5595	9.30	3.44	0.37	5807
23	18	13.75	8.94	0.65	4099	13.61	8.85	0.65	4136	13.46	8.75	0.65	4174	13.29	8.64	0.65	4208	13.16	8.55	0.65	4229	13.02	8.46	0.65	4369	12.84	8.34	0.65	4561	12.61	8.20	0.65	4868	12.31	8.00	0.65	5093	11.96	7.77	0.65	5283	10.97	7.13	0.65	5611	9.05	5.89	0.65	5825
23	20	14.17	7.51	0.53	4123	14.03	7.44	0.53	4160	13.88	7.35	0.53	4198	13.70	7.26	0.53	4232	13.56	7.19	0.53	4253	13.41	7.11	0.53	4393	13.23	7.01	0.53	4585	13.00	6.89	0.53	4892	12.69	6.73	0.53	5117	12.32	6.53	0.53	5307	11.31	5.99	0.53	5635	9.33	4.95	0.53	5849
23	22	14.41	5.91	0.41	4139	14.27	5.85	0.41	4177	14.11	5.79	0.41	4214	13.93	5.71	0.41	4248	13.79	5.65	0.41	4269	13.64	5.59	0.41	4409	13.45	5.52	0.41	4601	13.22	5.42	0.41	4909	12.91	5.29	0.41	5133	12.53	5.14	0.41	5324	11.50	4.72	0.41	5652	9.49	3.89	0.41	5865
24	18	14.03	9.68	0.69	4140	13.89	9.58	0.69	4178	13.74	9.48	0.69	4216	13.56	9.36	0.69	4250	13.43	9.27	0.69	4272	13.28	9.16	0.69	4413	13.10	9.04	0.69	4607	12.87	8.88	0.69	4917	12.57	8.67	0.69	5144	12.20	8.42	0.69	5337	11.20	7.73	0.69	5668	9.24	6.37	0.69	5884
24	20	14.46	8.24	0.57	4165	14.31	8.16	0.57	4202	14.16	8.07	0.57	4240	13.98	7.97	0.57	4274	13.84	7.89	0.57	4296	13.69	7.80	0.57	4437	13.50	7.69	0.57	4631	13.26	7.56	0.57	4942	12.95	7.38	0.57	5168	12.57	7.17	0.57	5361	11.54	6.58	0.57	5692	9.52	5.43	0.57	5908
24	22	14.70	6.62	0.45	4181	14.56	6.55	0.45	4219	14.40	6.48	0.45	4257	14.21	6.40	0.45	4291	14.07	6.33	0.45	4312	13.92	6.26	0.45	4454	13.73	6.18	0.45	4648	13.49	6.07	0.45	4958	13.17	5.93	0.45	5185	12.79	5.75	0.45	5377	11.74	5.28	0.45	5709	9.68	4.36	0.45	5925
24	24	14.91	4.92	0.33	4201	14.76	4.87	0.33	4238	14.60	4.82	0.33	4276	14.41	4.76	0.33	4310	14.27	4.71	0.33	4332	14.12	4.66	0.33	4473	13.92	4.59	0.33	4667	13.67	4.51	0.33	4978	13.35	4.41	0.33	5204	12.97	4.28	0.33	5397	11.90	3.93	0.33	5728	9.82	3.24	0.33	5944
25	18	14.46	10.56	0.73	4182	14.32	10.45	0.73	4220	14.16	10.34	0.73	4259	13.98	10.21	0.73	4293	13.84	10.11	0.73	4315	13.69	10.00	0.73	4458	13.50	9.86	0.73	4654	13.26	9.68	0.73	4967	12.95	9.46	0.73	5196	12.58	9.18	0.73	5391	11.55	8.43	0.73	5725	9.52	6.95	0.73	5943
25	20	14.90	9.09	0.61	4207	14.76	9.00	0.61	4245	14.60	8.90	0.61	4283	14.41	8.79	0.61	4318	14.27	8.70	0.61	4339	14.11	8.61	0.61	4482	13.92	8.49	0.61	4678	13.67	8.34	0.61	4992	13.35	8.14	0.61	5221	12.96	7.91	0.61	5415	11.90	7.26	0.61	5750	9.82	5.99	0.61	5968
25	22	15.16	7.43	0.49	4223	15.01	7.35	0.49	4261	14.84	7.27	0.49	4300	14.65	7.18	0.49	4334	14.51	7.11	0.49	4356	14.35	7.03	0.49	4499	14.15	6.94	0.49	4695	13.90	6.81	0.49	5008	13.58	6.65	0.49	5237	13.18	6.46	0.49	5432	12.10	5.93	0.49	5767	9.98	4.89	0.49	5984
25	24	15.37	5.69	0.37	4243	15.22	5.63	0.37	4281	15.05	5.57	0.37	4319	14.86	5.50	0.37	4354	14.71	5.44	0.37	4375	14.55	5.38	0.37	4518	14.35	5.31	0.37	4714	14.10	5.22	0.37	5028	13.77	5.09	0.37	5257	13.37	4.95	0.37	5451	12.27	4.54	0.37	5786	10.12	3.75	0.37	6004
26	18	14.91	11.48	0.77	4224	14.76	11.37	0.77	4263	14.60	11.24	0.77	4302	14.41	11.10	0.77	4336	14.27	10.99	0.77	4358	14.12	10.87	0.77	4503	13.92	10.72	0.77	4701	13.67	10.53	0.77	5017	13.35	10.28	0.77	5249	12.97	9.98	0.77	5445	11.90	9.16	0.77	5783	9.82	7.56	0.77	6003
26	20	15.37	9.99	0.65	4249	15.21	9.89	0.65	4288	15.05	9.78	0.65	4326	14.86	9.66	0.65	4361	14.71	9.56	0.65	4383	14.55	9.46	0.65	4527	14.35	9.33	0.65	4725	14.09	9.16	0.65	5042	13.76	8.95	0.65	5273	13.36	8.69	0.65	5470	12.27	7.97	0.65	5808	10.12	6.58	0.65	6028
26	22	15.63	8.28	0.53	4266	15.47	8.20	0.53	4304	15.30	8.11	0.53	4343	15.11	8.01	0.53	4378	14.96	7.93	0.53	4400	14.80	7.84	0.53	4544	14.59	7.73	0.53	4742	14.33	7.60	0.53	5059	14.00	7.42	0.53	5290	13.59	7.20	0.53	5487	12.48	6.61	0.53	5825	10.29	5.45	0.53	6045
26	24	15.85	6.50	0.41	4286	15.69	6.43	0.41	4324	15.52	6.36	0.41	4363	15.32	6.28	0.41	4398	15.17	6.22	0.41	4420	15.00	6.15	0.41	4564	14.80	6.07	0.41	4762	14.53	5.96	0.41	5079	14.19	5.82	0.41	5310	13.78	5.65	0.41	5506	12.65	5.19	0.41	5845	10.44	4.28	0.41	6065
26	26	16.10	4.67	0.29	4309	15.94	4.62	0.29	4347	15.77	4.57	0.29	4386	15.56	4.51	0.29	4421	15.41	4.47	0.29	4442	15.24	4.42	0.29	4587	15.03	4.36	0.29	4785	14.77	4.28	0.29	5101	14.42	4.18	0.29	5333	14.00	4.06	0.29	5529	12.85	3.73	0.29	5867	10.60	3.07	0.29	6087
27	18	15.21	12.32	0.81	4267	15.06	12.20	0.81	4306	14.90	12.07	0.81	4345	14.71	11.91	0.81	4380	14.56	11.80	0.81	4402	14.40	11.67	0.81	4548	14.21	11.51	0.81	4748	13.95	11.30	0.81	5068	13.63	11.04	0.81	5302	13.23	10.72	0.81	5500	12.15	9.84	0.81	5842	10.02	8.12	0.81	6064
27	20	15.52	11.64	0.75	4277	15.37	11.53	0.75	4316	15.20	11.40	0.75	4355	15.01	11.26	0.75	4390	14.86	11.14	0.75	4412	14.70	11.02	0.75	4558	14.50	10.87	0.75	4758	14.24	10.68	0.75	5078	13.91	10.43	0.75	5312	13.50	10.13	0.75	5510	12.39	9.29	0.75	5852	10.22	7.67	0.75	6074
27	22	15.68	10.82	0.69	4292	15.52	10.71	0.69	4331	15.36	10.60	0.69	4370	15.16	10.46	0.69	4405	15.01	10.36	0.69	4427	14.84	10.24	0.69	4573	14.64	10.10	0.69	4773	14.38	9.92	0.69	5093	14.04	9.69	0.69	5327	13.64	9.41	0.69	5525	12.52	8.64	0.69	5867	10.33	7.13	0.69	6089
27	24	15.95	9.09	0.57	4309	15.79	9.00	0.57	4348	15.62	8.90	0.57	4387	15.42	8.79	0.57	4422	15.26	8.70	0.57	4444	15.10	8.61	0.57	4590	14.89	8.49	0.57	4790	14.63	8.34	0.57	5110	14.28	8.14	0.57	5344	13.87	7.90	0.57	5542	12.73	7.26	0.57	5				

## 4. CAPACITIES AND SELECTION DATA

PERFORMANCE DATA (Cooling Operation at Rated Frequency)																																																	
AUV-48UR6SNC5																																																	
CAPACITY: 13.5 kW SHF: 0.75 INPUT: 5510 W																																																	
ID DB (°C)	IN WB (°C)	OUTDOOR DB (°C)																																															
		-15		-5		0		5		10		15		20		25		30		35		40		45																									
		Q	SHC	SHF	IPT	Q	SHC	SHF	IPT	Q	SHC	SHF	IPT	Q	SHC	SHF	IPT	Q	SHC	SHF	IPT	Q	SHC	SHF	IPT	Q	SHC	SHF	IPT	Q	SHC	SHF	IPT	Q	SHC	SHF	IPT	Q	SHC	SHF	IPT								
29	18	15.52	13.50	0.87	4353	15.37	13.37	0.87	4392	15.20	13.22	0.87	4432	15.00	13.05	0.87	4468	14.86	12.92	0.87	4491	14.69	12.78	0.87	4640	14.49	12.61	0.87	4843	14.23	12.38	0.87	5170	13.90	12.09	0.87	5408	13.50	11.74	0.87	5611	12.39	10.78	0.87	5959	10.22	8.89	0.87	6186
29	20	15.84	12.19	0.77	4378	15.68	12.07	0.77	4418	15.51	11.94	0.77	4458	15.31	11.79	0.77	4494	15.16	11.67	0.77	4516	14.99	11.54	0.77	4665	14.79	11.39	0.77	4869	14.52	11.18	0.77	5195	14.18	10.92	0.77	5434	13.77	10.60	0.77	5636	12.64	9.73	0.77	5985	10.43	8.03	0.77	6211
29	22	16.15	10.50	0.65	4396	15.99	10.40	0.65	4435	15.82	10.28	0.65	4475	15.62	10.15	0.65	4511	15.46	10.05	0.65	4534	15.29	9.94	0.65	4682	15.08	9.80	0.65	4886	14.82	9.63	0.65	5213	14.47	9.40	0.65	5451	14.05	9.13	0.65	5653	12.89	8.38	0.65	6002	10.64	6.91	0.65	6229
29	24	16.27	8.62	0.53	4416	16.11	8.54	0.53	4456	15.93	8.44	0.53	4496	15.73	8.33	0.53	4532	15.57	8.25	0.53	4554	15.40	8.16	0.53	4703	15.19	8.05	0.53	4907	14.92	7.91	0.53	5233	14.57	7.72	0.53	5471	14.15	7.50	0.53	5674	12.99	6.88	0.53	6022	10.71	5.68	0.53	6249
29	26	16.49	6.76	0.41	4440	16.33	6.70	0.41	4479	16.15	6.62	0.41	4519	15.95	6.54	0.41	4555	15.79	6.47	0.41	4578	15.62	6.40	0.41	4726	15.40	6.31	0.41	4930	15.13	6.20	0.41	5257	14.77	6.06	0.41	5495	14.34	5.88	0.41	5697	13.17	5.40	0.41	6046	10.86	4.45	0.41	6273
30	18	15.67	13.64	0.87	4396	15.52	13.50	0.87	4436	15.35	13.36	0.87	4477	15.15	13.18	0.87	4513	15.00	13.05	0.87	4536	14.84	12.91	0.87	4686	14.64	12.73	0.87	4892	14.38	12.51	0.87	5221	14.04	12.21	0.87	5462	13.63	11.86	0.87	5667	12.51	10.89	0.87	6019	10.32	8.98	0.87	6248
30	20	15.99	12.96	0.81	4422	15.84	12.83	0.81	4462	15.66	12.69	0.81	4503	15.46	12.53	0.81	4539	15.31	12.40	0.81	4561	15.14	12.27	0.81	4712	14.93	12.10	0.81	4918	14.67	11.88	0.81	5247	14.33	11.60	0.81	5488	13.91	11.27	0.81	5692	12.77	10.34	0.81	6044	10.53	8.53	0.81	6273
30	22	16.31	11.26	0.69	4440	16.15	11.15	0.69	4480	15.98	11.02	0.69	4520	15.77	10.88	0.69	4556	15.62	10.78	0.69	4579	15.45	10.66	0.69	4729	15.23	10.51	0.69	4935	14.96	10.32	0.69	5265	14.61	10.08	0.69	5506	14.19	9.79	0.69	5710	13.02	8.99	0.69	6062	10.74	7.41	0.69	6291
30	24	16.43	9.36	0.57	4460	16.27	9.27	0.57	4500	16.09	9.17	0.57	4541	15.88	9.05	0.57	4577	15.73	8.96	0.57	4600	15.55	8.87	0.57	4750	15.34	8.74	0.57	4956	15.07	8.59	0.57	5285	14.72	8.39	0.57	5526	14.29	8.14	0.57	5731	13.12	7.48	0.57	6083	10.82	6.17	0.57	6312
30	26	16.66	7.50	0.45	4484	16.49	7.42	0.45	4524	16.31	7.34	0.45	4564	16.11	7.25	0.45	4601	15.95	7.18	0.45	4623	15.77	7.10	0.45	4774	15.55	7.00	0.45	4979	15.28	6.88	0.45	5309	14.92	6.71	0.45	5550	14.49	6.52	0.45	5754	13.30	5.98	0.45	6106	10.97	4.94	0.45	6335
31	18	15.83	13.77	0.87	4440	15.67	13.64	0.87	4481	15.50	13.49	0.87	4522	15.31	13.32	0.87	4558	15.15	13.18	0.87	4581	14.99	13.04	0.87	4733	14.78	12.86	0.87	4941	14.52	12.63	0.87	5274	14.18	12.34	0.87	5517	13.77	11.98	0.87	5723	12.64	11.00	0.87	6079	10.43	9.07	0.87	6310
31	20	16.15	13.73	0.85	4466	15.99	13.60	0.85	4507	15.82	13.45	0.85	4548	15.62	13.27	0.85	4584	15.46	13.14	0.85	4607	15.29	13.00	0.85	4759	15.08	12.82	0.85	4967	14.82	12.59	0.85	5300	14.47	12.30	0.85	5543	14.05	11.94	0.85	5749	12.90	10.96	0.85	6105	10.64	9.04	0.85	6336
31	22	16.48	12.03	0.73	4484	16.31	11.91	0.73	4524	16.14	11.78	0.73	4565	15.93	11.63	0.73	4602	15.77	11.51	0.73	4625	15.60	11.39	0.73	4777	15.39	11.23	0.73	4985	15.11	11.03	0.73	5317	14.76	10.77	0.73	5561	14.33	10.46	0.73	5767	13.15	9.60	0.73	6123	10.85	7.92	0.73	6354
31	24	16.59	10.12	0.61	4505	16.43	10.02	0.61	4545	16.25	9.91	0.61	4586	16.04	9.79	0.61	4623	15.88	9.69	0.61	4646	15.71	9.58	0.61	4797	15.49	9.45	0.61	5005	15.22	9.28	0.61	5338	14.86	9.07	0.61	5581	14.43	8.80	0.61	5788	13.25	8.08	0.61	6143	10.93	6.67	0.61	6375
31	26	16.83	8.24	0.49	4529	16.66	8.16	0.49	4569	16.48	8.07	0.49	4610	16.27	7.97	0.49	4647	16.11	7.89	0.49	4670	15.93	7.81	0.49	4821	15.71	7.70	0.49	5029	15.43	7.56	0.49	5362	15.07	7.38	0.49	5605	14.63	7.17	0.49	5812	13.43	6.58	0.49	6167	11.08	5.43	0.49	6399
32	18	15.99	13.91	0.87	4485	15.83	13.77	0.87	4526	15.66	13.62	0.87	4567	15.46	13.45	0.87	4604	15.31	13.32	0.87	4627	15.14	13.17	0.87	4780	14.93	12.99	0.87	4990	14.67	12.76	0.87	5326	14.32	12.46	0.87	5572	13.90	12.10	0.87	5781	12.76	11.11	0.87	6140	10.53	9.16	0.87	6373
32	20	16.32	14.20	0.87	4511	16.15	14.05	0.87	4552	15.98	13.90	0.87	4593	15.77	13.72	0.87	4630	15.62	13.59	0.87	4653	15.45	13.44	0.87	4806	15.23	13.25	0.87	5016	14.97	13.02	0.87	5353	14.61	12.71	0.87	5598	14.19	12.34	0.87	5807	13.03	11.33	0.87	6166	10.75	9.35	0.87	6400
32	22	16.64	12.81	0.77	4529	16.48	12.69	0.77	4570	16.30	12.55	0.77	4611	16.09	12.39	0.77	4648	15.93	12.27	0.77	4671	15.76	12.13	0.77	4824	15.54	11.97	0.77	5034	15.26	11.75	0.77	5371	14.91	11.48	0.77	5616	14.47	11.14	0.77	5825	13.29	10.23	0.77	6184	10.96	8.44	0.77	6417
32	24	16.76	10.89	0.65	4550	16.59	10.79	0.65	4591	16.41	10.67	0.65	4632	16.20	10.53	0.65	4669	16.04	10.43	0.65	4692	15.87	10.31	0.65	4845	15.65	10.17	0.65	5055	15.37	9.99	0.65	5392	15.01	9.76	0.65	5637	14.57	9.47	0.65	5846	13.38	8.70	0.65	6205	11.04	7.17	0.65	6438
32	26	16.99	9.01	0.53	4574	16.83	8.92	0.53	4615	16.64	8.82	0.53	4656	16.43	8.71	0.53	4693	16.27	8.62	0.53	4716	16.09	8.53	0.53	4870	15.87	8.41	0.53	5080	15.59	8.26	0.53	5416	15.22	8.07	0.53	5661	14.78	7.83	0.53	5870	13.57	7.19	0.53	6229	11.19	5.93	0.53	6463

**Remarks:**

**Q:** Total Heating / Cooling Capacity (Gross) kW

**INPUT:** Power Input (including the compressor, evap. fan motor & cond. **W DB:** Dry Bulb

Temperature

**WB:** Wet Bulb Temperature

**SHC:** Sensible Heat Capacity

**SHF:** Sensible Heat Factor



## 4. CAPACITIES AND SELECTION DATA

The following charts show the characteristics of outdoor unit capacity, which corresponds with the operating ambient temperature of outdoor unit. Conditions:

⑧ Pipe length / height difference: 5m / 0m ② Indoor fan speed at high fan speed ③ Capacity loss due to white frost and defrost operation is not included.

60K

PERFORMANCE DATA (Cooling Operation at Rated Frequency)																																																	
AUV-60UR6SNC5																																																	
CAPACITY: 15.5 kW SHF: 0.75 INPUT: 6330 W																																																	
ID DB (°C)	IN WB (°C)	OUTDOOR DB (°C)																																															
		-15				-5				0				5				10				15				20				25				30				35				40				45			
		Q	SHC	SHF	IPT	Q	SHC	SHF	IPT	Q	SHC	SHF	IPT	Q	SHC	SHF	IPT	Q	SHC	SHF	IPT	Q	SHC	SHF	IPT	Q	SHC	SHF	IPT	Q	SHC	SHF	IPT	Q	SHC	SHF	IPT	Q	SHC	SHF	IPT	Q	SHC	SHF	IPT	Q	SHC	SHF	IPT
21	18	15.00	8.55	0.57	4617	14.86	8.47	0.57	4659	14.69	8.38	0.57	4701	14.51	8.27	0.57	4739	14.36	8.19	0.57	4763	14.21	8.10	0.57	4921	14.01	7.99	0.57	5137	13.76	7.84	0.57	5483	13.44	7.66	0.57	5736	13.05	7.44	0.57	5950	11.98	6.83	0.57	6320	9.88	5.63	0.57	6560
21	20	15.62	7.03	0.45	4640	15.47	6.96	0.45	4682	15.30	6.89	0.45	4725	15.10	6.80	0.45	4763	14.95	6.73	0.45	4786	14.79	6.66	0.45	4944	14.59	6.56	0.45	5160	14.33	6.45	0.45	5506	13.99	6.30	0.45	5759	13.59	6.11	0.45	5974	12.47	5.61	0.45	6343	10.29	4.63	0.45	6584
22	18	15.47	9.44	0.61	4663	15.32	9.34	0.61	4706	15.15	9.24	0.61	4749	14.95	9.12	0.61	4787	14.81	9.03	0.61	4811	14.65	8.93	0.61	4970	14.44	8.81	0.61	5189	14.19	8.65	0.61	5538	13.86	8.45	0.61	5794	13.45	8.21	0.61	6010	12.35	7.53	0.61	6383	10.19	6.21	0.61	6626
22	20	15.94	7.81	0.49	4687	15.78	7.73	0.49	4730	15.61	7.65	0.49	4772	15.41	7.55	0.49	4811	15.26	7.48	0.49	4835	15.09	7.40	0.49	4994	14.89	7.29	0.49	5212	14.62	7.16	0.49	5562	14.28	7.00	0.49	5817	13.86	6.79	0.49	6034	12.73	6.24	0.49	6407	10.50	5.14	0.49	6650
22	22	16.21	6.00	0.37	4703	16.05	5.94	0.37	4746	15.88	5.87	0.37	4788	15.67	5.80	0.37	4827	15.52	5.74	0.37	4851	15.35	5.68	0.37	5010	15.14	5.60	0.37	5229	14.87	5.50	0.37	5578	14.52	5.37	0.37	5833	14.10	5.22	0.37	6050	12.94	4.79	0.37	6423	10.68	3.95	0.37	6666
23	18	15.78	10.26	0.65	4710	15.63	10.16	0.65	4753	15.46	10.05	0.65	4797	15.26	9.92	0.65	4835	15.11	9.82	0.65	4860	14.94	9.71	0.65	5021	14.74	9.58	0.65	5241	14.48	9.41	0.65	5594	14.14	9.19	0.65	5852	13.73	8.92	0.65	6071	12.60	8.19	0.65	6448	10.40	6.76	0.65	6693
23	20	16.27	8.62	0.53	4734	16.11	8.54	0.53	4777	15.93	8.44	0.53	4821	15.73	8.34	0.53	4859	15.57	8.25	0.53	4884	15.40	8.16	0.53	5045	15.19	8.05	0.53	5265	14.92	7.91	0.53	5618	14.57	7.72	0.53	5876	14.15	7.50	0.53	6095	12.99	6.88	0.53	6472	10.71	5.68	0.53	6717
23	22	16.54	6.78	0.41	4751	16.38	6.72	0.41	4794	16.20	6.64	0.41	4837	15.99	6.56	0.41	4876	15.84	6.49	0.41	4900	15.66	6.42	0.41	5061	15.45	6.33	0.41	5281	15.17	6.22	0.41	5634	14.82	6.08	0.41	5892	14.39	5.90	0.41	6111	13.21	5.41	0.41	6488	10.90	4.47	0.41	6734
24	18	16.11	11.11	0.69	4758	15.95	11.00	0.69	4801	15.77	10.88	0.69	4845	15.57	10.74	0.69	4884	15.42	10.64	0.69	4909	15.25	10.52	0.69	5071	15.04	10.38	0.69	5294	14.77	10.19	0.69	5651	14.43	9.95	0.69	5911	14.01	9.66	0.69	6132	12.86	8.87	0.69	6513	10.61	7.32	0.69	6761
24	20	16.60	9.46	0.57	4782	16.44	9.37	0.57	4826	16.26	9.27	0.57	4869	16.05	9.15	0.57	4908	15.89	9.06	0.57	4933	15.72	8.96	0.57	5096	15.50	8.83	0.57	5318	15.23	8.68	0.57	5675	14.87	8.47	0.57	5935	14.44	8.23	0.57	6157	13.25	7.55	0.57	6537	10.93	6.23	0.57	6785
24	22	16.88	7.60	0.45	4799	16.71	7.52	0.45	4842	16.53	7.44	0.45	4886	16.32	7.34	0.45	4925	16.16	7.27	0.45	4949	15.98	7.19	0.45	5112	15.76	7.09	0.45	5335	15.48	6.97	0.45	5691	15.12	6.80	0.45	5952	14.68	6.61	0.45	6173	13.48	6.06	0.45	6554	11.12	5.00	0.45	6802
24	24	17.12	5.65	0.33	4818	16.95	5.59	0.33	4861	16.76	5.53	0.33	4905	16.55	5.46	0.33	4944	16.39	5.41	0.33	4969	16.21	5.35	0.33	5131	15.98	5.27	0.33	5354	15.70	5.18	0.33	5711	15.33	5.06	0.33	5971	14.89	4.91	0.33	6192	13.67	4.51	0.33	6573	11.27	3.72	0.33	6821
25	18	16.60	12.12	0.73	4806	16.44	12.00	0.73	4850	16.26	11.87	0.73	4894	16.05	11.72	0.73	4933	15.89	11.60	0.73	4958	15.72	11.48	0.73	5123	15.50	11.32	0.73	5348	15.23	11.12	0.73	5708	14.87	10.86	0.73	5971	14.44	10.54	0.73	6194	13.26	9.68	0.73	6579	10.94	7.98	0.73	6829
25	20	17.11	10.44	0.61	4831	16.94	10.34	0.61	4874	16.76	10.22	0.61	4918	16.54	10.09	0.61	4958	16.38	9.99	0.61	4983	16.20	9.88	0.61	5147	15.98	9.75	0.61	5372	15.70	9.57	0.61	5732	15.33	9.35	0.61	5995	14.88	9.08	0.61	6219	13.66	8.33	0.61	6603	11.27	6.88	0.61	6854
25	22	17.40	8.53	0.49	4847	17.23	8.44	0.49	4891	17.04	8.35	0.49	4935	16.83	8.24	0.49	4975	16.66	8.16	0.49	4999	16.48	8.07	0.49	5164	16.25	7.96	0.49	5389	15.96	7.82	0.49	5749	15.59	7.64	0.49	6012	15.13	7.42	0.49	6235	13.89	6.81	0.49	6620	11.46	5.62	0.49	6870
25	24	17.65	6.53	0.37	4867	17.47	6.46	0.37	4911	17.28	6.39	0.37	4955	17.06	6.31	0.37	4994	16.89	6.25	0.37	5019	16.71	6.18	0.37	5183	16.48	6.10	0.37	5408	16.19	5.99	0.37	5769	15.81	5.85	0.37	6032	15.35	5.68	0.37	6255	14.09	5.21	0.37	6640	11.62	4.30	0.37	6890
26	18	17.12	13.18	0.77	4855	16.95	13.05	0.77	4899	16.76	12.91	0.77	4943	16.55	12.74	0.77	4983	16.39	12.62	0.77	5008	16.21	12.48	0.77	5174	15.98	12.31	0.77	5402	15.70	12.09	0.77	5765	15.33	11.81	0.77	6031	14.89	11.46	0.77	6257	13.67	10.52	0.77	6645	11.27	8.68	0.77	6898
26	20	17.64	11.47	0.65	4879	17.47	11.35	0.65	4924	17.28	11.23	0.65	4968	17.06	11.09	0.65	5008	16.89	10.98	0.65	5033	16.70	10.86	0.65	5199	16.47	10.71	0.65	5426	16.18	10.52	0.65	5790	15.80	10.27	0.65	6056	15.34	9.97	0.65	6282	14.08	9.15	0.65	6670	11.62	7.55	0.65	6923
26	22	17.94	9.51	0.53	4896	17.76	9.42	0.53	4940	17.57	9.31	0.53	4985	17.35	9.19	0.53	5025	17.17	9.10	0.53	5050	16.99	9.00	0.53	5216	16.75	8.88	0.53	5443	16.46	8.72	0.53	5807	16.07	8.52	0.53	6073	15.60	8.27	0.53	6298	14.32	7.59	0.53	6687	11.82	6.26	0.53	6940
26	24	18.19	7.46	0.41	4916	18.01	7.39	0.41	4960	17.82	7.31	0.41	5005	17.59	7.21	0.41	5045	17.41	7.14	0.41	5070	17.23	7.06	0.41	5236	16.99	6.96	0.41	5463	16.69	6.84	0.41	5827	16.30	6.68	0.41	6093	15.82	6.49	0.41	6318	14.52	5.95	0.41	6707	11.98	4.91	0.41	6960
26	26	18.48	5.36	0.29	4939	18.30	5.31	0.29	4983	18.10	5.25	0.29	5027	17.87	5.18	0.29	5067	17.69	5.13	0.29	5093	17.50	5.08	0.29	5258	17.26	5.01	0.29	5486	16.95	4.92	0.29	5850	16.56	4.80	0.29	6115	16.07	4.66	0.29	6341	14.76	4.28	0.29	6729	12.17	3.53	0.29	6982
27	18	17.47	14.15	0.81	4904	17.29	14.01	0.81	4948	17.11	13.86	0.81	4993	16.89	13.68	0.81	5034	16.72	13.54	0.81	5059	16.54	13.40	0.81	5227	16.31	13.21	0.81	5456	16.02	12.98	0.81	5824	15.65	12.67	0.81	6092	15.19	12.30	0.81	6320	13.94	11.29	0.81	6712	11.50	9.32	0.81	6968
27	19	17.82	13.37	0.75	4914	17.65	13.24	0.75	4958	17.46	13.09	0.75	5003	17.23	12.92	0.75	5044	17.06	12.80	0.75	5069	16.88	12.66	0.75	5237	16.64	12.48	0.75	5466	16.35	12.26	0.75	5834	15.97	11.97	0.75	6102	15.50	11.63	0.75	6330	14.23	10.67	0.75	6722	11.74	8.80	0.75	6978
27	20	18.00	12.42	0.69	4929	17.82	12.30	0.69	4973	17.63	12.16	0.69	5018	17.40	12.01	0.69	5059	17.23	11.89	0.69	5084	17.04	11.76	0.69	5252	16.81	11.60	0.69	5481	16.51	11.39	0.69	5849	16.12	11.13	0.69	6117	15.66	10.80	0.69	6345	14.37	9.92	0.69	6737	11.86	8.18	0.69	6993
27	22	18.31	10.44	0.57	4946	18.13	10.33	0.57	4990	17.93	10.22	0.57	5035	17.70	10.09	0.57	5076	17.52	9.99	0.57	5101	17.33	9.88	0.57	5269	17.09	9.74	0.57	5498	16.79	9.57	0.57	5866																

## 4. CAPACITIES AND SELECTION DATA

**PERFORMANCE DATA (Cooling Operation at Rated Frequency)**

**AUV-60UR6SNC5**

**CAPACITY: 15.5 kW SHF: 0.75 INPUT: 6330 W**

**OUTDOOR DB (°C)**

ID DB (°C)	IN WB (°C)	OUTDOOR DB (°C)																																															
		-15				-5				0				5				10				15				20				25				30				35				40				45			
		Q	SHC	SHF	IPT	Q	SHC	SHF	IPT	Q	SHC	SHF	IPT	Q	SHC	SHF	IPT	Q	SHC	SHF	IPT	Q	SHC	SHF	IPT	Q	SHC	SHF	IPT	Q	SHC	SHF	IPT	Q	SHC	SHF	IPT	Q	SHC	SHF	IPT	Q	SHC	SHF	IPT	Q	SHC	SHF	IPT
29	18	17.82	15.50	0.87	5002	17.64	15.35	0.87	5048	17.45	15.18	0.87	5094	17.23	14.99	0.87	5135	17.06	14.84	0.87	5161	16.87	14.68	0.87	5332	16.64	14.47	0.87	5566	16.34	14.22	0.87	5941	15.96	13.89	0.87	6215	15.50	13.48	0.87	6447	14.22	12.38	0.87	6847	11.74	10.21	0.87	7108
29	20	18.18	14.00	0.77	5028	18.00	13.86	0.77	5073	17.81	13.71	0.77	5119	17.58	13.54	0.77	5160	17.40	13.40	0.77	5186	17.21	13.26	0.77	5357	16.98	13.07	0.77	5591	16.68	12.84	0.77	5966	16.29	12.54	0.77	6240	15.81	12.17	0.77	6473	14.52	11.18	0.77	6873	11.97	9.22	0.77	7133
29	22	18.55	12.05	0.65	5045	18.36	11.94	0.65	5091	18.16	11.81	0.65	5136	17.93	11.65	0.65	5178	17.75	11.54	0.65	5203	17.56	11.41	0.65	5374	17.32	11.26	0.65	5609	17.01	11.06	0.65	5984	16.61	10.80	0.65	6257	16.13	10.48	0.65	6490	14.81	9.62	0.65	6890	12.21	7.94	0.65	7151
29	24	18.68	9.90	0.53	5065	18.49	9.80	0.53	5111	18.29	9.69	0.53	5157	18.06	9.57	0.53	5198	17.88	9.47	0.53	5224	17.68	9.37	0.53	5395	17.44	9.24	0.53	5629	17.13	9.08	0.53	6004	16.73	8.87	0.53	6278	16.24	8.61	0.53	6510	14.91	7.90	0.53	6911	12.30	6.52	0.53	7171
29	26	18.94	7.76	0.41	5089	18.75	7.69	0.41	5134	18.55	7.60	0.41	5180	18.31	7.51	0.41	5222	18.13	7.43	0.41	5247	17.93	7.35	0.41	5418	17.68	7.25	0.41	5652	17.37	7.12	0.41	6027	16.96	6.95	0.41	6301	16.47	6.75	0.41	6534	15.12	6.20	0.41	6934	12.47	5.11	0.41	7195
30	18	18.00	15.66	0.87	5052	17.82	15.50	0.87	5098	17.62	15.33	0.87	5145	17.40	15.14	0.87	5186	17.23	14.99	0.87	5212	17.04	14.82	0.87	5385	16.80	14.62	0.87	5621	16.51	14.36	0.87	6000	16.12	14.02	0.87	6277	15.65	13.62	0.87	6512	14.37	12.50	0.87	6916	11.85	10.31	0.87	7179
30	20	18.36	14.88	0.81	5078	18.18	14.73	0.81	5124	17.98	14.57	0.81	5170	17.75	14.38	0.81	5212	17.58	14.24	0.81	5238	17.39	14.08	0.81	5411	17.15	13.89	0.81	5647	16.84	13.64	0.81	6026	16.45	13.32	0.81	6302	15.97	12.94	0.81	6537	14.66	11.87	0.81	6942	12.09	9.80	0.81	7205
30	22	18.73	12.92	0.69	5095	18.55	12.80	0.69	5141	18.34	12.66	0.69	5188	18.11	12.50	0.69	5229	17.93	12.37	0.69	5256	17.73	12.24	0.69	5428	17.49	12.07	0.69	5665	17.18	11.85	0.69	6043	16.78	11.58	0.69	6320	16.29	11.24	0.69	6555	14.95	10.32	0.69	6959	12.34	8.51	0.69	7222
30	24	18.86	10.75	0.57	5116	18.68	10.65	0.57	5162	18.47	10.53	0.57	5208	18.24	10.39	0.57	5250	18.06	10.29	0.57	5276	17.86	10.18	0.57	5449	17.61	10.04	0.57	5685	17.30	9.86	0.57	6064	16.90	9.63	0.57	6341	16.40	9.35	0.57	6575	15.06	8.58	0.57	6980	12.42	7.08	0.57	7243
30	26	19.13	8.61	0.45	5140	18.94	8.52	0.45	5186	18.73	8.43	0.45	5232	18.49	8.32	0.45	5274	18.31	8.24	0.45	5300	18.11	8.15	0.45	5472	17.86	8.04	0.45	5709	17.54	7.89	0.45	6088	17.13	7.71	0.45	6364	16.63	7.48	0.45	6599	15.27	6.87	0.45	7003	12.60	5.67	0.45	7267
31	18	18.18	15.81	0.87	5103	18.00	15.66	0.87	5149	17.80	15.49	0.87	5196	17.57	15.29	0.87	5238	17.40	15.14	0.87	5264	17.21	14.97	0.87	5439	16.97	14.77	0.87	5678	16.67	14.50	0.87	6060	16.28	14.16	0.87	6339	15.81	13.75	0.87	6577	14.51	12.62	0.87	6985	11.97	10.41	0.87	7251
31	20	18.55	15.77	0.85	5129	18.36	15.61	0.85	5175	18.16	15.44	0.85	5222	17.93	15.24	0.85	5264	17.75	15.09	0.85	5290	17.56	14.93	0.85	5465	17.32	14.72	0.85	5704	17.01	14.46	0.85	6086	16.61	14.12	0.85	6365	16.13	13.71	0.85	6603	14.81	12.59	0.85	7011	12.22	10.38	0.85	7277
31	22	18.92	13.81	0.73	5146	18.73	13.67	0.73	5193	18.53	13.53	0.73	5240	18.29	13.35	0.73	5282	18.11	13.22	0.73	5308	17.91	13.08	0.73	5482	17.66	12.90	0.73	5721	17.35	12.67	0.73	6104	16.95	12.37	0.73	6383	16.45	12.01	0.73	6620	15.10	11.03	0.73	7029	12.46	9.10	0.73	7295
31	24	19.05	11.62	0.61	5167	18.86	11.51	0.61	5214	18.66	11.38	0.61	5261	18.42	11.24	0.61	5303	18.24	11.12	0.61	5329	18.04	11.00	0.61	5503	17.79	10.85	0.61	5742	17.47	10.66	0.61	6125	17.06	10.41	0.61	6404	16.57	10.11	0.61	6641	15.21	9.28	0.61	7050	12.55	7.65	0.61	7315
31	26	19.32	9.47	0.49	5191	19.13	9.37	0.49	5238	18.92	9.27	0.49	5284	18.68	9.15	0.49	5326	18.49	9.06	0.49	5353	18.29	8.96	0.49	5527	18.04	8.84	0.49	5766	17.72	8.68	0.49	6149	17.30	8.48	0.49	6428	16.80	8.23	0.49	6665	15.42	7.56	0.49	7073	12.72	6.23	0.49	7339
32	18	18.36	15.97	0.87	5154	18.18	15.81	0.87	5201	17.98	15.64	0.87	5248	17.75	15.44	0.87	5290	17.57	15.29	0.87	5317	17.38	15.12	0.87	5493	17.14	14.91	0.87	5734	16.84	14.65	0.87	6121	16.44	14.31	0.87	6403	15.96	13.89	0.87	6642	14.66	12.75	0.87	7055	12.09	10.52	0.87	7323
32	20	18.73	16.30	0.87	5180	18.55	16.14	0.87	5227	18.35	15.96	0.87	5274	18.11	15.76	0.87	5317	17.93	15.60	0.87	5343	17.74	15.43	0.87	5519	17.49	15.22	0.87	5761	17.18	14.95	0.87	6147	16.78	14.60	0.87	6429	16.29	14.17	0.87	6669	14.95	13.01	0.87	7081	12.34	10.73	0.87	7350
32	22	19.11	14.71	0.77	5198	18.92	14.57	0.77	5245	18.71	14.41	0.77	5292	18.47	14.22	0.77	5335	18.29	14.08	0.77	5361	18.09	13.93	0.77	5537	17.84	13.74	0.77	5779	17.53	13.49	0.77	6165	17.11	13.18	0.77	6447	16.62	12.79	0.77	6687	15.25	11.75	0.77	7099	12.58	9.69	0.77	7367
32	24	19.24	12.51	0.65	5219	19.05	12.38	0.65	5266	18.84	12.25	0.65	5313	18.60	12.09	0.65	5356	18.42	11.97	0.65	5382	18.22	11.84	0.65	5558	17.97	11.68	0.65	5800	17.65	11.47	0.65	6186	17.24	11.20	0.65	6468	16.73	10.88	0.65	6708	15.36	9.98	0.65	7120	12.67	8.24	0.65	7389
32	26	19.51	10.34	0.53	5243	19.32	10.24	0.53	5290	19.11	10.13	0.53	5337	18.86	10.00	0.53	5380	18.68	9.90	0.53	5406	18.47	9.79	0.53	5582	18.22	9.66	0.53	5824	17.90	9.48	0.53	6210	17.48	9.26	0.53	6492	16.97	8.99	0.53	6732	15.58	8.26	0.53	7144	12.85	6.81	0.53	7413

**Remarks:**

**Q:** Total Heating / Cooling Capacity (Gross) kW

**INPUT:** Power Input (including the compressor, evap. fan motor & cond. **W DB:** Dry Bulb

Temperature

**WB:** Wet Bulb Temperature

**SHC:** Sensible Heat Capacity

**SHF:** Sensible Heat Factor

The following charts show the characteristics of outdoor unit capacity, which corresponds with the operating ambient temperature of outdoor unit. Conditions:

- ① Pipe length / height difference: 5m/ 0m
- ② Indoor fan speed at high fan speed
- ③ Capacity loss due to white frost and defrost operation is not included.

## 4. CAPACITIES AND SELECTION DATA

The following charts show the characteristics of outdoor unit capacity, which corresponds with the operating ambient temperature of outdoor unit. Conditions:

- ① Pipe length / height difference: 5m / 0m ② Indoor fan speed at high fan speed ③ Capacity loss due to white frost and defrost operation is not included.

### Ducted 18K

		PERFORMANCE DATA (Cooling Operation at Rated Frequency)																																															
		AUD-18UX4SSCL5																																															
		CAPACITY: 5.0 kW SHF: 0.75 INPUT: 1535 W																																															
ID DB (°C)	IN WB (°C)	OUTDOOR DB (°C)																																															
		-15				-5				0				5				10				15				20				25				30				35				40				45			
		Q	SHC	SHF	IPT	Q	SHC	SHF	IPT	Q	SHC	SHF	IPT	Q	SHC	SHF	IPT	Q	SHC	SHF	IPT	Q	SHC	SHF	IPT	Q	SHC	SHF	IPT	Q	SHC	SHF	IPT	Q	SHC	SHF	IPT	Q	SHC	SHF	IPT	Q	SHC	SHF	IPT	Q	SHC	SHF	IPT
21	18	4.84	2.76	0.57	1112	4.79	2.73	0.57	1123	4.74	2.70	0.57	1133	4.68	2.67	0.57	1142	4.63	2.64	0.57	1148	4.58	2.61	0.57	1186	4.52	2.58	0.57	1239	4.44	2.53	0.57	1322	4.34	2.47	0.57	1384	4.21	2.40	0.57	1436	3.86	2.20	0.57	1525	3.19	1.82	0.57	1584
21	20	5.04	2.27	0.45	1136	4.99	2.25	0.45	1146	4.94	2.22	0.45	1156	4.87	2.19	0.45	1166	4.82	2.17	0.45	1171	4.77	2.15	0.45	1210	4.71	2.12	0.45	1262	4.62	2.08	0.45	1346	4.51	2.03	0.45	1407	4.38	1.97	0.45	1459	4.02	1.81	0.45	1549	3.32	1.49	0.45	1607
22	18	4.99	3.04	0.61	1124	4.94	3.01	0.61	1134	4.89	2.98	0.61	1144	4.82	2.94	0.61	1154	4.78	2.91	0.61	1159	4.72	2.88	0.61	1198	4.66	2.84	0.61	1251	4.58	2.79	0.61	1336	4.47	2.73	0.61	1398	4.34	2.65	0.61	1450	3.98	2.43	0.61	1541	3.29	2.00	0.61	1600
22	20	5.14	2.52	0.49	1147	5.09	2.49	0.49	1158	5.04	2.47	0.49	1168	4.97	2.44	0.49	1177	4.92	2.41	0.49	1183	4.87	2.39	0.49	1222	4.80	2.35	0.49	1275	4.72	2.31	0.49	1360	4.61	2.26	0.49	1421	4.47	2.19	0.49	1474	4.11	2.01	0.49	1565	3.39	1.66	0.49	1623
22	22	5.23	1.94	0.37	1164	5.18	1.92	0.37	1174	5.12	1.90	0.37	1184	5.06	1.87	0.37	1194	5.01	1.85	0.37	1199	4.95	1.83	0.37	1238	4.88	1.81	0.37	1291	4.80	1.77	0.37	1376	4.68	1.73	0.37	1438	4.55	1.68	0.37	1490	4.18	1.54	0.37	1581	3.44	1.27	0.37	1640
23	18	5.09	3.31	0.65	1135	5.04	3.28	0.65	1145	4.99	3.24	0.65	1156	4.92	3.20	0.65	1165	4.87	3.17	0.65	1171	4.82	3.13	0.65	1210	4.75	3.09	0.65	1264	4.67	3.04	0.65	1349	4.56	2.96	0.65	1412	4.43	2.88	0.65	1465	4.06	2.64	0.65	1556	3.35	2.18	0.65	1616
23	20	5.25	2.78	0.53	1159	5.20	2.75	0.53	1169	5.14	2.72	0.53	1180	5.07	2.69	0.53	1189	5.02	2.66	0.53	1195	4.97	2.63	0.53	1234	4.90	2.60	0.53	1288	4.81	2.55	0.53	1373	4.70	2.49	0.53	1436	4.56	2.42	0.53	1489	4.19	2.22	0.53	1580	3.46	1.83	0.53	1640
23	22	5.34	2.19	0.41	1175	5.28	2.17	0.41	1186	5.23	2.14	0.41	1196	5.16	2.12	0.41	1206	5.11	2.09	0.41	1212	5.05	2.07	0.41	1251	4.98	2.04	0.41	1304	4.89	2.01	0.41	1390	4.78	1.96	0.41	1452	4.64	1.90	0.41	1505	4.26	1.75	0.41	1597	3.51	1.44	0.41	1656
24	18	5.20	3.59	0.69	1146	5.14	3.55	0.69	1157	5.09	3.51	0.69	1168	5.02	3.47	0.69	1177	4.97	3.43	0.69	1183	4.92	3.39	0.69	1222	4.85	3.35	0.69	1276	4.77	3.29	0.69	1363	4.65	3.21	0.69	1426	4.52	3.12	0.69	1480	4.15	2.86	0.69	1572	3.42	2.36	0.69	1632
24	20	5.35	3.05	0.57	1171	5.30	3.02	0.57	1181	5.24	2.99	0.57	1192	5.18	2.95	0.57	1201	5.13	2.92	0.57	1207	5.07	2.89	0.57	1247	5.00	2.85	0.57	1301	4.91	2.80	0.57	1387	4.80	2.73	0.57	1450	4.66	2.65	0.57	1504	4.27	2.44	0.57	1596	3.53	2.01	0.57	1656
24	22	5.45	2.45	0.45	1187	5.39	2.43	0.45	1198	5.33	2.40	0.45	1208	5.26	2.37	0.45	1218	5.21	2.35	0.45	1224	5.16	2.32	0.45	1263	5.08	2.29	0.45	1317	4.99	2.25	0.45	1404	4.88	2.19	0.45	1467	4.74	2.13	0.45	1520	4.35	1.96	0.45	1613	3.59	1.61	0.45	1673
24	24	5.52	1.82	0.33	1207	5.47	1.80	0.33	1217	5.41	1.78	0.33	1228	5.34	1.76	0.33	1237	5.29	1.74	0.33	1243	5.23	1.73	0.33	1283	5.16	1.70	0.33	1337	5.06	1.67	0.33	1423	4.95	1.63	0.33	1486	4.80	1.58	0.33	1540	4.41	1.45	0.33	1632	3.64	1.20	0.33	1692
25	18	5.36	3.91	0.73	1158	5.30	3.87	0.73	1169	5.25	3.83	0.73	1179	5.18	3.78	0.73	1189	5.13	3.74	0.73	1195	5.07	3.70	0.73	1235	5.00	3.65	0.73	1289	4.91	3.59	0.73	1377	4.80	3.50	0.73	1440	4.66	3.40	0.73	1495	4.28	3.12	0.73	1588	3.53	2.58	0.73	1649
25	20	5.52	3.37	0.61	1183	5.47	3.33	0.61	1193	5.41	3.30	0.61	1204	5.34	3.26	0.61	1213	5.28	3.22	0.61	1219	5.23	3.19	0.61	1259	5.15	3.14	0.61	1314	5.06	3.09	0.61	1401	4.94	3.02	0.61	1465	4.80	2.93	0.61	1519	4.41	2.69	0.61	1612	3.64	2.22	0.61	1673
25	22	5.61	2.75	0.49	1199	5.56	2.72	0.49	1210	5.50	2.69	0.49	1220	5.43	2.66	0.49	1230	5.37	2.63	0.49	1236	5.32	2.60	0.49	1276	5.24	2.57	0.49	1330	5.15	2.52	0.49	1418	5.03	2.46	0.49	1482	4.88	2.39	0.49	1536	4.48	2.20	0.49	1629	3.70	1.81	0.49	1690
25	24	5.69	2.11	0.37	1219	5.64	2.09	0.37	1229	5.58	2.06	0.37	1240	5.50	2.04	0.37	1250	5.45	2.02	0.37	1256	5.39	1.99	0.37	1296	5.32	1.97	0.37	1350	5.22	1.93	0.37	1437	5.10	1.89	0.37	1501	4.95	1.83	0.37	1555	4.54	1.68	0.37	1649	3.75	1.39	0.37	1709
26	18	5.52	4.25	0.77	1170	5.47	4.21	0.77	1180	5.41	4.16	0.77	1191	5.34	4.11	0.77	1201	5.29	4.07	0.77	1207	5.23	4.03	0.77	1247	5.16	3.97	0.77	1302	5.06	3.90	0.77	1391	4.95	3.81	0.77	1455	4.80	3.70	0.77	1510	4.41	3.39	0.77	1604	3.64	2.80	0.77	1665
26	20	5.69	3.70	0.65	1194	5.63	3.66	0.65	1205	5.57	3.62	0.65	1216	5.50	3.58	0.65	1226	5.45	3.54	0.65	1232	5.39	3.50	0.65	1272	5.31	3.45	0.65	1327	5.22	3.39	0.65	1415	5.10	3.31	0.65	1480	4.95	3.22	0.65	1535	4.54	2.95	0.65	1629	3.75	2.44	0.65	1690
26	22	5.79	3.07	0.53	1211	5.73	3.04	0.53	1222	5.67	3.00	0.53	1233	5.60	2.97	0.53	1243	5.54	2.94	0.53	1249	5.48	2.90	0.53	1289	5.40	2.86	0.53	1344	5.31	2.81	0.53	1432	5.18	2.75	0.53	1497	5.03	2.67	0.53	1551	4.62	2.45	0.53	1646	3.81	2.02	0.53	1707
26	24	5.87	2.41	0.41	1231	5.81	2.38	0.41	1242	5.75	2.36	0.41	1253	5.67	2.33	0.41	1262	5.62	2.30	0.41	1268	5.56	2.28	0.41	1309	5.48	2.25	0.41	1364	5.38	2.21	0.41	1452	5.26	2.16	0.41	1516	5.10	2.09	0.41	1571	4.69	1.92	0.41	1665	3.87	1.58	0.41	1727
26	26	5.96	1.73	0.29	1254	5.90	1.71	0.29	1265	5.84	1.69	0.29	1275	5.76	1.67	0.29	1285	5.71	1.66	0.29	1291	5.65	1.64	0.29	1331	5.57	1.61	0.29	1387	5.47	1.59	0.29	1475	5.34	1.55	0.29	1539	5.19	1.50	0.29	1594	4.76	1.38	0.29	1688	3.93	1.14	0.29	1749
27	18	5.63	4.56	0.81	1182	5.58	4.52	0.81	1192	5.52	4.47	0.81	1203	5.45	4.41	0.81	1213	5.39	4.37	0.81	1219	5.33	4.32	0.81	1260	5.26	4.26	0.81	1316	5.17	4.19	0.81	1405	5.05	4.09	0.81	1470	4.90	3.97	0.81	1525	4.50	3.64	0.81	1620	3.71	3.01	0.81	1682
27	19	5.75	4.31	0.75	1192	5.69	4.27	0.75	1202	5.63	4.22	0.75	1213	5.56	4.17	0.75	1223	5.50	4.13	0.75	1229	5.44	4.08	0.75	1270	5.37	4.03	0.75	1326	5.27	3.96	0.75	1415	5.15	3.86	0.75	1480	5.00	3.75	0.75	1535	4.59	3.44	0.75	1630	3.79	2.84	0.75	1692
27	20	5.81	4.01	0.69	1207	5.75	3.97	0.69	1217	5.69	3.92	0.69	1228	5.61	3.87	0.69	1238	5.56	3.84	0.69	1244	5.50	3.79	0.69	1285	5.42	3.74	0.69	1341	5.33	3.68	0.69	1430	5.20	3.59	0.69	1495	5.05	3.48	0.69	1550	4.64	3.20	0.69	1645	3.82	2.64	0.69	1707
27	22	5.91	3.37	0.57	1224	5.85	3.33	0.57	1234	5.78	3.30	0.57	1245	5.71	3.25	0.57	1255	5.65	3.22	0.57	1261	5.59	3.19	0.57	1302	5.51	3.14	0.57	1358	5.42	3.09	0.57	1447	5.29	3.02	0.57	1512	5.14	2.93	0.57	1567	4.71	2.69	0.57	1662	3.89	2.22	0.57	1724
27	24	5.99	2.69	0.45	1244	5.93	2.67	0.45	1254	5.86	2.64	0.45	1265	5.79	2.61	0.45	1275	5.73	2.58	0.45	1281</																												

## 4. CAPACITIES AND SELECTION DATA

### PERFORMANCE DATA (Cooling Operation at Rated Frequency)

AUD-18UX4SSCL5

CAPACITY: 5.0 kW SHF: 0.75 INPUT: 1535 W

#### OUTDOOR DB (°C)

ID DB (°C)	IN WB (°C)	OUTDOOR DB (°C)																																															
		-15				-5				0				5				10				15				20				25				30				35				40				45			
		Q	SHC	SHF	IPT	Q	SHC	SHF	IPT	Q	SHC	SHF	IPT	Q	SHC	SHF	IPT	Q	SHC	SHF	IPT	Q	SHC	SHF	IPT	Q	SHC	SHF	IPT	Q	SHC	SHF	IPT	Q	SHC	SHF	IPT	Q	SHC	SHF	IPT	Q	SHC	SHF	IPT	Q	SHC	SHF	IPT
29	18	5.75	5.00	0.87	1205	5.69	4.95	0.87	1216	5.63	4.90	0.87	1227	5.56	4.83	0.87	1237	5.50	4.79	0.87	1244	5.44	4.73	0.87	1285	5.37	4.67	0.87	1342	5.27	4.59	0.87	1433	5.15	4.48	0.87	1499	5.00	4.35	0.87	1556	4.59	3.99	0.87	1653	3.79	3.29	0.87	1716
29	20	5.87	4.52	0.77	1231	5.81	4.47	0.77	1242	5.74	4.42	0.77	1253	5.67	4.37	0.77	1263	5.61	4.32	0.77	1269	5.55	4.28	0.77	1311	5.48	4.22	0.77	1367	5.38	4.14	0.77	1458	5.25	4.05	0.77	1525	5.10	3.93	0.77	1581	4.68	3.61	0.77	1678	3.86	2.97	0.77	1741
29	22	5.98	3.89	0.65	1248	5.92	3.85	0.65	1259	5.86	3.81	0.65	1270	5.78	3.76	0.65	1280	5.73	3.72	0.65	1287	5.66	3.68	0.65	1328	5.59	3.63	0.65	1385	5.49	3.57	0.65	1476	5.36	3.48	0.65	1542	5.20	3.38	0.65	1598	4.78	3.10	0.65	1696	3.94	2.56	0.65	1759
29	24	6.02	3.19	0.53	1269	5.97	3.16	0.53	1280	5.90	3.13	0.53	1291	5.82	3.09	0.53	1301	5.77	3.06	0.53	1307	5.70	3.02	0.53	1348	5.63	2.98	0.53	1405	5.53	2.93	0.53	1496	5.40	2.86	0.53	1563	5.24	2.78	0.53	1619	4.81	2.55	0.53	1716	3.97	2.10	0.53	1779
29	26	6.11	2.50	0.41	1292	6.05	2.48	0.41	1303	5.98	2.45	0.41	1314	5.91	2.42	0.41	1324	5.85	2.40	0.41	1330	5.78	2.37	0.41	1372	5.70	2.34	0.41	1429	5.60	2.30	0.41	1520	5.47	2.24	0.41	1586	5.31	2.18	0.41	1642	4.88	2.00	0.41	1739	4.02	1.65	0.41	1803
30	18	5.81	5.05	0.87	1217	5.75	5.00	0.87	1228	5.69	4.95	0.87	1240	5.61	4.88	0.87	1250	5.56	4.83	0.87	1256	5.50	4.78	0.87	1298	5.42	4.72	0.87	1355	5.32	4.63	0.87	1447	5.20	4.52	0.87	1514	5.05	4.39	0.87	1571	4.63	4.03	0.87	1669	3.82	3.33	0.87	1733
30	20	5.92	4.80	0.81	1243	5.87	4.75	0.81	1254	5.80	4.70	0.81	1265	5.73	4.64	0.81	1276	5.67	4.59	0.81	1282	5.61	4.54	0.81	1324	5.53	4.48	0.81	1381	5.43	4.40	0.81	1473	5.31	4.30	0.81	1540	5.15	4.17	0.81	1597	4.73	3.83	0.81	1695	3.90	3.16	0.81	1759
30	22	6.04	4.17	0.69	1261	5.98	4.13	0.69	1272	5.92	4.08	0.69	1283	5.84	4.03	0.69	1293	5.78	3.99	0.69	1299	5.72	3.95	0.69	1341	5.64	3.89	0.69	1399	5.54	3.82	0.69	1490	5.41	3.73	0.69	1558	5.25	3.63	0.69	1614	4.82	3.33	0.69	1713	3.98	2.75	0.69	1776
30	24	6.08	3.47	0.57	1281	6.02	3.43	0.57	1292	5.96	3.40	0.57	1304	5.88	3.35	0.57	1314	5.82	3.32	0.57	1320	5.76	3.28	0.57	1362	5.68	3.24	0.57	1419	5.58	3.18	0.57	1511	5.45	3.11	0.57	1578	5.29	3.02	0.57	1635	4.86	2.77	0.57	1733	4.01	2.28	0.57	1797
30	26	6.17	2.78	0.45	1305	6.11	2.75	0.45	1316	6.04	2.72	0.45	1327	5.96	2.68	0.45	1337	5.91	2.66	0.45	1344	5.84	2.63	0.45	1386	5.76	2.59	0.45	1443	5.66	2.55	0.45	1535	5.53	2.49	0.45	1602	5.37	2.41	0.45	1659	4.93	2.22	0.45	1757	4.06	1.83	0.45	1821
31	18	5.86	5.10	0.87	1230	5.81	5.05	0.87	1241	5.74	5.00	0.87	1252	5.67	4.93	0.87	1262	5.61	4.88	0.87	1269	5.55	4.83	0.87	1311	5.47	4.76	0.87	1369	5.38	4.68	0.87	1462	5.25	4.57	0.87	1529	5.10	4.44	0.87	1587	4.68	4.07	0.87	1686	3.86	3.36	0.87	1750
31	20	5.98	5.09	0.85	1256	5.92	5.04	0.85	1267	5.86	4.98	0.85	1278	5.78	4.92	0.85	1288	5.73	4.87	0.85	1295	5.66	4.82	0.85	1337	5.59	4.75	0.85	1395	5.49	4.66	0.85	1488	5.36	4.56	0.85	1555	5.20	4.42	0.85	1613	4.78	4.06	0.85	1712	3.94	3.35	0.85	1776
31	22	6.10	4.46	0.73	1273	6.04	4.41	0.73	1284	5.98	4.36	0.73	1296	5.90	4.31	0.73	1306	5.84	4.26	0.73	1312	5.78	4.22	0.73	1355	5.70	4.16	0.73	1413	5.60	4.09	0.73	1505	5.47	3.99	0.73	1573	5.31	3.87	0.73	1631	4.87	3.56	0.73	1730	4.02	2.93	0.73	1794
31	24	6.15	3.75	0.61	1294	6.08	3.71	0.61	1305	6.02	3.67	0.61	1317	5.94	3.62	0.61	1327	5.88	3.59	0.61	1333	5.82	3.55	0.61	1376	5.74	3.50	0.61	1433	5.64	3.44	0.61	1526	5.50	3.36	0.61	1594	5.34	3.26	0.61	1651	4.91	2.99	0.61	1750	4.05	2.47	0.61	1815
31	26	6.23	3.05	0.49	1318	6.17	3.02	0.49	1329	6.10	2.99	0.49	1341	6.02	2.95	0.49	1351	5.96	2.92	0.49	1357	5.90	2.89	0.49	1399	5.82	2.85	0.49	1457	5.72	2.80	0.49	1550	5.58	2.74	0.49	1618	5.42	2.66	0.49	1675	4.97	2.44	0.49	1774	4.10	2.01	0.49	1839
32	18	5.92	5.15	0.87	1242	5.86	5.10	0.87	1253	5.80	5.05	0.87	1265	5.73	4.98	0.87	1275	5.67	4.93	0.87	1281	5.61	4.88	0.87	1324	5.53	4.81	0.87	1383	5.43	4.73	0.87	1476	5.30	4.61	0.87	1545	5.15	4.48	0.87	1603	4.73	4.11	0.87	1703	3.90	3.39	0.87	1768
32	20	6.04	5.26	0.87	1268	5.98	5.21	0.87	1279	5.92	5.15	0.87	1291	5.84	5.08	0.87	1301	5.78	5.03	0.87	1308	5.72	4.98	0.87	1350	5.64	4.91	0.87	1409	5.54	4.82	0.87	1503	5.41	4.71	0.87	1571	5.26	4.57	0.87	1629	4.82	4.20	0.87	1729	3.98	3.46	0.87	1794
32	22	6.16	4.75	0.77	1286	6.10	4.70	0.77	1297	6.04	4.65	0.77	1309	5.96	4.59	0.77	1319	5.90	4.54	0.77	1326	5.84	4.49	0.77	1368	5.76	4.43	0.77	1427	5.65	4.35	0.77	1520	5.52	4.25	0.77	1589	5.36	4.13	0.77	1647	4.92	3.79	0.77	1747	4.06	3.13	0.77	1812
32	24	6.21	4.03	0.65	1307	6.15	3.99	0.65	1318	6.08	3.95	0.65	1330	6.00	3.90	0.65	1340	5.94	3.86	0.65	1347	5.88	3.82	0.65	1389	5.80	3.77	0.65	1448	5.69	3.70	0.65	1541	5.56	3.61	0.65	1610	5.40	3.51	0.65	1668	4.96	3.22	0.65	1768	4.09	2.66	0.65	1833
32	26	6.29	3.34	0.53	1331	6.23	3.30	0.53	1343	6.16	3.27	0.53	1354	6.08	3.22	0.53	1364	6.02	3.19	0.53	1371	5.96	3.16	0.53	1413	5.88	3.11	0.53	1472	5.77	3.06	0.53	1566	5.64	2.99	0.53	1634	5.47	2.90	0.53	1692	5.02	2.66	0.53	1792	4.15	2.20	0.53	1857

**Remarks:**

**Q:** Total Heating / Cooling Capacity (Gross) kW

**INPUT:** Power Input (including the compressor, evap. fan motor & cond. **W DB:** Dry Bulb

Temperature

**WB:** Wet Bulb Temperature

**SHC:** Sensible Heat Capacity

**SHF:** Sensible Heat Factor

## 4. CAPACITIES AND SELECTION DATA

The following charts show the characteristics of outdoor unit capacity, which corresponds with the operating ambient temperature of outdoor unit. Conditions:

① Pipe length / height difference: 5m / 0m ② Indoor fan speed at high fan speed ③ Capacity loss due to white frost and defrost operation is not included.

24K

PERFORMANCE DATA (Cooling Operation at Rated Frequency)																																																	
AUD-24UX4SJLL5																																																	
CAPACITY: 7.0 kW SHF: 0.75 INPUT: 2215 W																																																	
ID DB (°C)	IN WB (°C)	OUTDOOR DB (°C)																																															
		-15		-5		0		5		10		15		20		25		30		35		40		45																									
		Q	SHC	SHF	IPT	Q	SHC	SHF	IPT	Q	SHC	SHF	IPT	Q	SHC	SHF	IPT	Q	SHC	SHF	IPT	Q	SHC	SHF	IPT	Q	SHC	SHF	IPT	Q	SHC	SHF	IPT	Q	SHC	SHF	IPT	Q	SHC	SHF	IPT								
21	18	6.78	3.86	0.57	1609	6.71	3.82	0.57	1624	6.64	3.78	0.57	1639	6.55	3.73	0.57	1652	6.49	3.70	0.57	1661	6.42	3.66	0.57	1716	6.33	3.61	0.57	1791	6.22	3.54	0.57	1912	6.07	3.46	0.57	2001	5.89	3.36	0.57	2076	5.41	3.08	0.57	2205	4.46	2.54	0.57	2289
21	20	7.06	3.18	0.45	1633	6.99	3.14	0.45	1648	6.91	3.11	0.45	1662	6.82	3.07	0.45	1676	6.75	3.04	0.45	1684	6.68	3.01	0.45	1739	6.59	2.96	0.45	1815	6.47	2.91	0.45	1936	6.32	2.84	0.45	2024	6.14	2.76	0.45	2100	5.63	2.53	0.45	2229	4.65	2.09	0.45	2313
22	18	6.99	4.26	0.61	1626	6.92	4.22	0.61	1640	6.84	4.17	0.61	1655	6.75	4.12	0.61	1669	6.69	4.08	0.61	1677	6.61	4.03	0.61	1733	6.52	3.98	0.61	1809	6.41	3.91	0.61	1932	6.26	3.82	0.61	2021	6.07	3.71	0.61	2097	5.58	3.40	0.61	2228	4.60	2.81	0.61	2313
22	20	7.20	3.53	0.49	1649	7.13	3.49	0.49	1664	7.05	3.45	0.49	1679	6.96	3.41	0.49	1693	6.89	3.38	0.49	1701	6.82	3.34	0.49	1757	6.72	3.29	0.49	1833	6.60	3.24	0.49	1956	6.45	3.16	0.49	2045	6.26	3.07	0.49	2121	5.75	2.82	0.49	2251	4.74	2.32	0.49	2336
22	22	7.32	2.71	0.37	1666	7.25	2.68	0.37	1680	7.17	2.65	0.37	1695	7.08	2.62	0.37	1709	7.01	2.59	0.37	1717	6.93	2.56	0.37	1773	6.84	2.53	0.37	1849	6.72	2.48	0.37	1972	6.56	2.43	0.37	2061	6.37	2.36	0.37	2137	5.85	2.16	0.37	2267	4.82	1.78	0.37	2352
23	18	7.13	4.63	0.65	1642	7.06	4.59	0.65	1657	6.98	4.54	0.65	1672	6.89	4.48	0.65	1686	6.82	4.44	0.65	1694	6.75	4.39	0.65	1751	6.66	4.33	0.65	1828	6.54	4.25	0.65	1951	6.38	4.15	0.65	2042	6.20	4.03	0.65	2118	5.69	3.70	0.65	2250	4.69	3.05	0.65	2336
23	20	7.35	3.89	0.53	1666	7.27	3.86	0.53	1681	7.19	3.81	0.53	1696	7.10	3.76	0.53	1710	7.03	3.73	0.53	1718	6.96	3.69	0.53	1775	6.86	3.64	0.53	1852	6.74	3.57	0.53	1975	6.58	3.49	0.53	2066	6.39	3.39	0.53	2142	5.86	3.11	0.53	2274	4.84	2.56	0.53	2360
23	22	7.47	3.06	0.41	1682	7.40	3.03	0.41	1697	7.32	3.00	0.41	1713	7.22	2.96	0.41	1726	7.15	2.93	0.41	1735	7.07	2.90	0.41	1791	6.98	2.86	0.41	1868	6.85	2.81	0.41	1992	6.69	2.74	0.41	2082	6.50	2.66	0.41	2158	5.96	2.45	0.41	2290	4.92	2.02	0.41	2376
24	18	7.27	5.02	0.69	1659	7.20	4.97	0.69	1674	7.12	4.92	0.69	1689	7.03	4.85	0.69	1703	6.96	4.80	0.69	1711	6.89	4.75	0.69	1768	6.79	4.69	0.69	1846	6.67	4.60	0.69	1971	6.52	4.50	0.69	2062	6.33	4.36	0.69	2140	5.81	4.01	0.69	2273	4.79	3.31	0.69	2359
24	20	7.50	4.27	0.57	1683	7.42	4.23	0.57	1698	7.34	4.18	0.57	1713	7.25	4.13	0.57	1727	7.18	4.09	0.57	1736	7.10	4.05	0.57	1793	7.00	3.99	0.57	1870	6.88	3.92	0.57	1995	6.71	3.83	0.57	2086	6.52	3.72	0.57	2164	5.98	3.41	0.57	2297	4.94	2.81	0.57	2384
24	22	7.62	3.43	0.45	1699	7.55	3.40	0.45	1715	7.47	3.36	0.45	1730	7.37	3.32	0.45	1743	7.30	3.28	0.45	1752	7.22	3.25	0.45	1809	7.12	3.20	0.45	1887	6.99	3.15	0.45	2012	6.83	3.07	0.45	2103	6.63	2.98	0.45	2180	6.09	2.74	0.45	2314	5.02	2.26	0.45	2400
24	24	7.73	2.55	0.33	1719	7.65	2.53	0.33	1734	7.57	2.50	0.33	1749	7.47	2.47	0.33	1763	7.40	2.44	0.33	1772	7.32	2.42	0.33	1828	7.22	2.38	0.33	1906	7.09	2.34	0.33	2031	6.92	2.29	0.33	2122	6.72	2.22	0.33	2200	6.17	2.04	0.33	2333	5.09	1.68	0.33	2420
25	18	7.50	5.47	0.73	1675	7.42	5.42	0.73	1691	7.34	5.36	0.73	1706	7.25	5.29	0.73	1720	7.18	5.24	0.73	1729	7.10	5.18	0.73	1786	7.00	5.11	0.73	1865	6.88	5.02	0.73	1991	6.72	4.90	0.73	2083	6.52	4.76	0.73	2161	5.99	4.37	0.73	2296	4.94	3.61	0.73	2383
25	20	7.73	4.71	0.61	1700	7.65	4.67	0.61	1715	7.57	4.62	0.61	1731	7.47	4.56	0.61	1744	7.40	4.51	0.61	1753	7.32	4.46	0.61	1811	7.22	4.40	0.61	1889	7.09	4.32	0.61	2015	6.92	4.22	0.61	2107	6.72	4.10	0.61	2186	6.17	3.76	0.61	2320	5.09	3.10	0.61	2408
25	22	7.86	3.85	0.49	1717	7.78	3.81	0.49	1732	7.70	3.77	0.49	1747	7.60	3.72	0.49	1761	7.52	3.69	0.49	1770	7.44	3.65	0.49	1827	7.34	3.60	0.49	1906	7.21	3.53	0.49	2032	7.04	3.45	0.49	2124	6.83	3.35	0.49	2202	6.27	3.07	0.49	2337	5.18	2.54	0.49	2424
25	24	7.97	2.95	0.37	1736	7.89	2.92	0.37	1751	7.81	2.89	0.37	1767	7.70	2.85	0.37	1781	7.63	2.82	0.37	1789	7.55	2.79	0.37	1847	7.44	2.75	0.37	1926	7.31	2.70	0.37	2052	7.14	2.64	0.37	2144	6.93	2.56	0.37	2222	6.36	2.35	0.37	2356	5.25	1.94	0.37	2444
26	18	7.73	5.95	0.77	1692	7.65	5.89	0.77	1708	7.57	5.83	0.77	1723	7.47	5.75	0.77	1737	7.40	5.70	0.77	1746	7.32	5.64	0.77	1804	7.22	5.56	0.77	1884	7.09	5.46	0.77	2011	6.92	5.33	0.77	2104	6.72	5.18	0.77	2183	6.17	4.75	0.77	2319	5.09	3.92	0.77	2407
26	20	7.97	5.18	0.65	1717	7.89	5.13	0.65	1732	7.80	5.07	0.65	1748	7.70	5.01	0.65	1762	7.63	4.96	0.65	1771	7.54	4.90	0.65	1829	7.44	4.84	0.65	1908	7.31	4.75	0.65	2036	7.14	4.64	0.65	2129	6.93	4.50	0.65	2208	6.36	4.13	0.65	2344	5.25	3.41	0.65	2432
26	22	8.10	4.29	0.53	1734	8.02	4.25	0.53	1749	7.94	4.21	0.53	1765	7.83	4.15	0.53	1779	7.76	4.11	0.53	1788	7.67	4.07	0.53	1846	7.57	4.01	0.53	1925	7.43	3.94	0.53	2053	7.26	3.85	0.53	2146	7.05	3.73	0.53	2225	6.47	3.43	0.53	2360	5.34	2.83	0.53	2449
26	24	8.22	3.37	0.41	1754	8.14	3.34	0.41	1769	8.05	3.30	0.41	1785	7.94	3.26	0.41	1799	7.86	3.22	0.41	1807	7.78	3.19	0.41	1866	7.67	3.15	0.41	1945	7.54	3.09	0.41	2072	7.36	3.02	0.41	2165	7.15	2.93	0.41	2244	6.56	2.69	0.41	2380	5.41	2.22	0.41	2469
26	26	8.35	2.42	0.29	1776	8.27	2.40	0.29	1792	8.18	2.37	0.29	1807	8.07	2.34	0.29	1821	7.99	2.32	0.29	1830	7.90	2.29	0.29	1888	7.79	2.26	0.29	1968	7.66	2.22	0.29	2095	7.48	2.17	0.29	2188	7.26	2.11	0.29	2267	6.66	1.93	0.29	2403	5.50	1.59	0.29	2492
27	18	7.89	6.39	0.81	1709	7.81	6.33	0.81	1725	7.73	6.26	0.81	1741	7.63	6.18	0.81	1755	7.55	6.12	0.81	1764	7.47	6.05	0.81	1822	7.37	5.97	0.81	1903	7.24	5.86	0.81	2031	7.07	5.72	0.81	2125	6.86	5.56	0.81	2205	6.30	5.10	0.81	2342	5.20	4.21	0.81	2432
27	20	8.05	6.04	0.75	1719	7.97	5.98	0.75	1735	7.88	5.91	0.75	1751	7.78	5.84	0.75	1765	7.70	5.78	0.75	1774	7.62	5.72	0.75	1832	7.52	5.64	0.75	1913	7.38	5.54	0.75	2041	7.21	5.41	0.75	2135	7.00	5.25	0.75	2215	6.43	4.82	0.75	2352	5.30	3.98	0.75	2442
27	22	8.13	5.61	0.69	1734	8.05	5.55	0.69	1750	7.96	5.49	0.69	1766	7.86	5.42	0.69	1780	7.78	5.37	0.69	1789	7.70	5.31	0.69	1847	7.59	5.24	0.69	1928	7.46	5.15	0.69	2056	7.28	5.02	0.69	2150	7.07	4.88	0.69	2230	6.49	4.48	0.69	2367	5.35	3.69	0.69	2457
27	24	8.27	4.71	0.57	1751	8.19	4.67	0.57	1767	8.10	4.62	0.57	1783	7.99	4.56	0.57	1797	7.91	4.51	0.57	1806	7.83	4.46	0.57	1864	7.72	4.40	0.57	1945	7.58	4.32	0.57	2073	7.41	4.22	0.57	2167	7.19	4.10	0.57	2247	6.60	3.76	0.57	2384	5.45	3.10	0.57	2474
27	26	8.38	3.77	0.45	1771	8.30	3.74	0.45	1787	8.21	3.69	0.45	1803	8.11	3.65	0.45	1817	8.03	3.61	0.45	1826	7.94	3.57	0.45	1884	7.83	3.52	0.45	1965	7.69	3.4																		

## 4. CAPACITIES AND SELECTION DATA

PERFORMANCE DATA (Cooling Operation at Rated Frequency)																																																	
AUD-24UX4SJLL5																																																	
CAPACITY: 7.0 kW SHF: 0.75 INPUT: 2215 W																																																	
ID DB (°C)	IN WB (°C)	OUTDOOR DB (°C)																																															
		-15		-5		0		5		10		15		20		25		30		35		40		45																									
		Q	SHC	SHF	IPT	Q	SHC	SHF	IPT	Q	SHC	SHF	IPT	Q	SHC	SHF	IPT	Q	SHC	SHF	IPT	Q	SHC	SHF	IPT	Q	SHC	SHF	IPT	Q	SHC	SHF	IPT	Q	SHC	SHF	IPT	Q	SHC	SHF	IPT								
29	18	8.05	7.00	0.87	1744	7.97	6.93	0.87	1760	7.88	6.86	0.87	1776	7.78	6.77	0.87	1790	7.70	6.70	0.87	1799	7.62	6.63	0.87	1859	7.51	6.54	0.87	1941	7.38	6.42	0.87	2072	7.21	6.27	0.87	2168	7.00	6.09	0.87	2249	6.42	5.59	0.87	2389	5.30	4.61	0.87	2481
29	20	8.21	6.32	0.77	1769	8.13	6.26	0.77	1785	8.04	6.19	0.77	1801	7.94	6.11	0.77	1816	7.86	6.05	0.77	1825	7.77	5.99	0.77	1885	7.67	5.90	0.77	1966	7.53	5.80	0.77	2098	7.35	5.66	0.77	2193	7.14	5.50	0.77	2275	6.56	5.05	0.77	2415	5.41	4.16	0.77	2506
29	22	8.38	5.44	0.65	1787	8.29	5.39	0.65	1803	8.20	5.33	0.65	1819	8.10	5.26	0.65	1833	8.02	5.21	0.65	1842	7.93	5.15	0.65	1902	7.82	5.08	0.65	1984	7.68	4.99	0.65	2115	7.50	4.88	0.65	2211	7.28	4.73	0.65	2292	6.69	4.35	0.65	2432	5.52	3.59	0.65	2523
29	24	8.43	4.47	0.53	1807	8.35	4.43	0.53	1823	8.26	4.38	0.53	1839	8.15	4.32	0.53	1853	8.07	4.28	0.53	1862	7.99	4.23	0.53	1922	7.88	4.17	0.53	2004	7.74	4.10	0.53	2135	7.55	4.00	0.53	2231	7.33	3.89	0.53	2313	6.73	3.57	0.53	2453	5.55	2.94	0.53	2544
29	26	8.55	3.51	0.41	1830	8.47	3.47	0.41	1846	8.38	3.43	0.41	1862	8.27	3.39	0.41	1877	8.19	3.36	0.41	1886	8.10	3.32	0.41	1946	7.99	3.27	0.41	2028	7.84	3.22	0.41	2159	7.66	3.14	0.41	2255	7.44	3.05	0.41	2336	6.83	2.80	0.41	2476	5.63	2.31	0.41	2567
30	18	8.13	7.07	0.87	1761	8.05	7.00	0.87	1777	7.96	6.92	0.87	1793	7.86	6.84	0.87	1808	7.78	6.77	0.87	1817	7.70	6.69	0.87	1878	7.59	6.60	0.87	1960	7.45	6.49	0.87	2093	7.28	6.33	0.87	2190	7.07	6.15	0.87	2272	6.49	5.64	0.87	2413	5.35	4.66	0.87	2505
30	20	8.29	6.72	0.81	1787	8.21	6.65	0.81	1803	8.12	6.58	0.81	1819	8.02	6.49	0.81	1834	7.94	6.43	0.81	1843	7.85	6.36	0.81	1903	7.74	6.27	0.81	1986	7.61	6.16	0.81	2119	7.43	6.02	0.81	2215	7.21	5.84	0.81	2298	6.62	5.36	0.81	2439	5.46	4.42	0.81	2531
30	22	8.46	5.84	0.69	1804	8.38	5.78	0.69	1821	8.28	5.72	0.69	1837	8.18	5.64	0.69	1851	8.10	5.59	0.69	1860	8.01	5.53	0.69	1921	7.90	5.45	0.69	2004	7.76	5.35	0.69	2136	7.58	5.23	0.69	2233	7.36	5.08	0.69	2315	6.75	4.66	0.69	2457	5.57	3.84	0.69	2549
30	24	8.52	4.86	0.57	1825	8.43	4.81	0.57	1841	8.34	4.76	0.57	1857	8.24	4.69	0.57	1872	8.15	4.65	0.57	1881	8.07	4.60	0.57	1941	7.95	4.53	0.57	2024	7.81	4.45	0.57	2157	7.63	4.35	0.57	2254	7.41	4.22	0.57	2336	6.80	3.88	0.57	2477	5.61	3.20	0.57	2569
30	26	8.64	3.89	0.45	1849	8.55	3.85	0.45	1865	8.46	3.81	0.45	1881	8.35	3.76	0.45	1896	8.27	3.72	0.45	1905	8.18	3.68	0.45	1965	8.07	3.63	0.45	2048	7.92	3.57	0.45	2180	7.74	3.48	0.45	2277	7.51	3.38	0.45	2359	6.90	3.10	0.45	2501	5.69	2.56	0.45	2593
31	18	8.21	7.14	0.87	1779	8.13	7.07	0.87	1795	8.04	6.99	0.87	1811	7.94	6.90	0.87	1826	7.86	6.84	0.87	1835	7.77	6.76	0.87	1896	7.66	6.67	0.87	1980	7.53	6.55	0.87	2114	7.35	6.40	0.87	2212	7.14	6.21	0.87	2295	6.55	5.70	0.87	2437	5.41	4.70	0.87	2530
31	20	8.38	7.12	0.85	1805	8.29	7.05	0.85	1821	8.20	6.97	0.85	1837	8.10	6.88	0.85	1852	8.02	6.82	0.85	1861	7.93	6.74	0.85	1922	7.82	6.65	0.85	2006	7.68	6.53	0.85	2140	7.50	6.38	0.85	2238	7.28	6.19	0.85	2321	6.69	5.68	0.85	2463	5.52	4.69	0.85	2556
31	22	8.54	6.24	0.73	1822	8.46	6.18	0.73	1839	8.37	6.11	0.73	1855	8.26	6.03	0.73	1870	8.18	5.97	0.73	1879	8.09	5.91	0.73	1940	7.98	5.82	0.73	2024	7.84	5.72	0.73	2157	7.65	5.59	0.73	2255	7.43	5.42	0.73	2338	6.82	4.98	0.73	2481	5.63	4.11	0.73	2574
31	24	8.60	5.25	0.61	1843	8.52	5.20	0.61	1860	8.43	5.14	0.61	1876	8.32	5.07	0.61	1891	8.24	5.02	0.61	1900	8.15	4.97	0.61	1961	8.03	4.90	0.61	2044	7.89	4.81	0.61	2178	7.71	4.70	0.61	2276	7.48	4.56	0.61	2359	6.87	4.19	0.61	2502	5.67	3.46	0.61	2595
31	26	8.72	4.28	0.49	1867	8.64	4.23	0.49	1883	8.54	4.19	0.49	1900	8.43	4.13	0.49	1915	8.35	4.09	0.49	1924	8.26	4.05	0.49	1985	8.15	3.99	0.49	2068	8.00	3.92	0.49	2202	7.81	3.83	0.49	2300	7.59	3.72	0.49	2383	6.96	3.41	0.49	2526	5.75	2.82	0.49	2619
32	18	8.29	7.21	0.87	1797	8.21	7.14	0.87	1813	8.12	7.06	0.87	1830	8.02	6.97	0.87	1844	7.94	6.90	0.87	1854	7.85	6.83	0.87	1915	7.74	6.73	0.87	2000	7.60	6.62	0.87	2135	7.43	6.46	0.87	2234	7.21	6.27	0.87	2317	6.62	5.76	0.87	2462	5.46	4.75	0.87	2556
32	20	8.46	7.36	0.87	1823	8.38	7.29	0.87	1839	8.29	7.21	0.87	1856	8.18	7.12	0.87	1871	8.10	7.05	0.87	1880	8.01	6.97	0.87	1942	7.90	6.87	0.87	2026	7.76	6.75	0.87	2161	7.58	6.59	0.87	2260	7.36	6.40	0.87	2344	6.75	5.88	0.87	2488	5.57	4.85	0.87	2582
32	22	8.63	6.64	0.77	1841	8.54	6.58	0.77	1857	8.45	6.51	0.77	1874	8.34	6.42	0.77	1889	8.26	6.36	0.77	1898	8.17	6.29	0.77	1959	8.06	6.20	0.77	2044	7.91	6.09	0.77	2179	7.73	5.95	0.77	2278	7.50	5.78	0.77	2362	6.89	5.30	0.77	2506	5.68	4.38	0.77	2600
32	24	8.69	5.65	0.65	1862	8.60	5.59	0.65	1878	8.51	5.53	0.65	1895	8.40	5.46	0.65	1910	8.32	5.41	0.65	1919	8.23	5.35	0.65	1980	8.11	5.27	0.65	2065	7.97	5.18	0.65	2200	7.78	5.06	0.65	2299	7.56	4.91	0.65	2383	6.94	4.51	0.65	2527	5.72	3.72	0.65	2621
32	26	8.81	4.67	0.53	1886	8.72	4.62	0.53	1902	8.63	4.57	0.53	1919	8.52	4.51	0.53	1934	8.43	4.47	0.53	1943	8.34	4.42	0.53	2005	8.23	4.36	0.53	2089	8.08	4.28	0.53	2224	7.89	4.18	0.53	2323	7.66	4.06	0.53	2407	7.03	3.73	0.53	2551	5.80	3.08	0.53	2645

**Remarks:**

**Q:** Total Heating / Cooling Capacity (Gross) kW

**INPUT:** Power Input (including the compressor, evap. fan motor & cond. W **DB:** Dry Bulb

Temperature

**WB:** Wet Bulb Temperature

**SHC:** Sensible Heat Capacity

**SHF:** Sensible Heat Factor

## 4. CAPACITIES AND SELECTION DAA

The following charts show the characteristics of outdoor unit capacity, which corresponds with the operating ambient temperature of outdoor unit. Conditions:

① Pipe length / height difference: 5m / 0m ② Indoor fan speed at high fan speed ③ Capacity loss due to white frost and defrost operation is not included.

36K

PERFORMANCE DATA (Cooling Operation at Rated Frequency)																																																	
AUD-36UX4SNEH5																																																	
CAPACITY: 10.0 kW SHF: 0.75 INPUT: 3575 W																																																	
ID DB (°C)	IN WB (°C)	OUTDOOR DB (°C)																																															
		-15				-5				0				5				10				15				20				25				30				35				40				45			
		Q	SHC	SHF	IPT	Q	SHC	SHF	IPT	Q	SHC	SHF	IPT	Q	SHC	SHF	IPT	Q	SHC	SHF	IPT	Q	SHC	SHF	IPT	Q	SHC	SHF	IPT	Q	SHC	SHF	IPT	Q	SHC	SHF	IPT	Q	SHC	SHF	IPT	Q	SHC	SHF	IPT	Q	SHC	SHF	IPT
21	18	9.68	5.52	0.57	2603	9.58	5.46	0.57	2627	9.48	5.40	0.57	2651	9.36	5.33	0.57	2672	9.27	5.28	0.57	2686	9.17	5.22	0.57	2775	9.04	5.15	0.57	2897	8.88	5.06	0.57	3092	8.67	4.94	0.57	3235	8.42	4.80	0.57	3356	7.73	4.40	0.57	3565	6.38	3.63	0.57	3701
21	20	10.08	4.54	0.45	2627	9.98	4.49	0.45	2651	9.87	4.44	0.45	2674	9.74	4.39	0.45	2696	9.65	4.34	0.45	2709	9.54	4.29	0.45	2798	9.41	4.24	0.45	2921	9.24	4.16	0.45	3116	9.03	4.06	0.45	3259	8.77	3.94	0.45	3380	8.05	3.62	0.45	3589	6.64	2.99	0.45	3724
22	18	9.98	6.09	0.61	2630	9.88	6.03	0.61	2654	9.77	5.96	0.61	2678	9.65	5.89	0.61	2699	9.55	5.83	0.61	2713	9.45	5.76	0.61	2803	9.32	5.68	0.61	2926	9.15	5.58	0.61	3124	8.94	5.45	0.61	3268	8.68	5.29	0.61	3390	7.97	4.86	0.61	3601	6.57	4.01	0.61	3738
22	20	10.29	5.04	0.49	2653	10.18	4.99	0.49	2677	10.07	4.94	0.49	2701	9.94	4.87	0.49	2723	9.85	4.82	0.49	2737	9.74	4.77	0.49	2827	9.60	4.71	0.49	2950	9.43	4.62	0.49	3147	9.21	4.51	0.49	3292	8.94	4.38	0.49	3414	8.21	4.02	0.49	3625	6.77	3.32	0.49	3762
22	22	10.46	3.87	0.37	2669	10.36	3.83	0.37	2693	10.24	3.79	0.37	2718	10.11	3.74	0.37	2739	10.01	3.70	0.37	2753	9.90	3.66	0.37	2843	9.77	3.61	0.37	2966	9.59	3.55	0.37	3164	9.37	3.47	0.37	3308	9.10	3.37	0.37	3430	8.35	3.09	0.37	3641	6.89	2.55	0.37	3778
23	18	10.18	6.62	0.65	2656	10.08	6.55	0.65	2680	9.97	6.48	0.65	2705	9.85	6.40	0.65	2727	9.75	6.34	0.65	2740	9.64	6.27	0.65	2831	9.51	6.18	0.65	2956	9.34	6.07	0.65	3155	9.12	5.93	0.65	3301	8.86	5.76	0.65	3425	8.13	5.28	0.65	3637	6.71	4.36	0.65	3776
23	20	10.50	5.56	0.53	2680	10.39	5.51	0.53	2704	10.28	5.45	0.53	2729	10.15	5.38	0.53	2751	10.05	5.32	0.53	2764	9.94	5.27	0.53	2855	9.80	5.19	0.53	2980	9.63	5.10	0.53	3179	9.40	4.98	0.53	3325	9.13	4.84	0.53	3449	8.38	4.44	0.53	3661	6.91	3.66	0.53	3800
23	22	10.67	4.38	0.41	2696	10.57	4.33	0.41	2721	10.45	4.29	0.41	2745	10.32	4.23	0.41	2767	10.22	4.19	0.41	2781	10.11	4.14	0.41	2872	9.97	4.09	0.41	2996	9.79	4.01	0.41	3196	9.56	3.92	0.41	3341	9.28	3.81	0.41	3465	8.52	3.49	0.41	3678	7.03	2.88	0.41	3816
24	18	10.39	7.17	0.69	2683	10.29	7.10	0.69	2707	10.18	7.02	0.69	2732	10.05	6.93	0.69	2754	9.95	6.86	0.69	2768	9.84	6.79	0.69	2860	9.70	6.69	0.69	2986	9.53	6.58	0.69	3187	9.31	6.42	0.69	3334	9.04	6.24	0.69	3459	8.30	5.72	0.69	3674	6.84	4.72	0.69	3814
24	20	10.71	6.10	0.57	2707	10.60	6.04	0.57	2732	10.49	5.98	0.57	2756	10.35	5.90	0.57	2778	10.25	5.84	0.57	2792	10.14	5.78	0.57	2884	10.00	5.70	0.57	3010	9.82	5.60	0.57	3211	9.59	5.47	0.57	3358	9.31	5.31	0.57	3483	8.55	4.87	0.57	3698	7.05	4.02	0.57	3838
24	22	10.89	4.90	0.45	2724	10.78	4.85	0.45	2748	10.67	4.80	0.45	2773	10.53	4.74	0.45	2795	10.43	4.69	0.45	2809	10.31	4.64	0.45	2901	10.17	4.58	0.45	3026	9.99	4.50	0.45	3228	9.76	4.39	0.45	3375	9.47	4.26	0.45	3500	8.69	3.91	0.45	3715	7.17	3.23	0.45	3855
24	24	11.04	3.64	0.33	2743	10.93	3.61	0.33	2768	10.82	3.57	0.33	2792	10.68	3.52	0.33	2814	10.57	3.49	0.33	2828	10.46	3.45	0.33	2920	10.31	3.40	0.33	3046	10.13	3.34	0.33	3247	9.89	3.26	0.33	3394	9.60	3.17	0.33	3519	8.82	2.91	0.33	3734	7.27	2.40	0.33	3874
25	18	10.71	7.82	0.73	2710	10.61	7.74	0.73	2735	10.49	7.66	0.73	2760	10.36	7.56	0.73	2782	10.25	7.49	0.73	2796	10.14	7.40	0.73	2889	10.00	7.30	0.73	3016	9.83	7.17	0.73	3219	9.60	7.00	0.73	3368	9.32	6.80	0.73	3494	8.55	6.24	0.73	3711	7.06	5.15	0.73	3853
25	20	11.04	6.73	0.61	2735	10.93	6.67	0.61	2759	10.81	6.60	0.61	2784	10.67	6.51	0.61	2807	10.57	6.45	0.61	2821	10.45	6.38	0.61	2913	10.31	6.29	0.61	3040	10.13	6.18	0.61	3244	9.89	6.03	0.61	3392	9.60	5.86	0.61	3519	8.81	5.38	0.61	3736	7.27	4.44	0.61	3877
25	22	11.23	5.50	0.49	2751	11.12	5.45	0.49	2776	11.00	5.39	0.49	2801	10.86	5.32	0.49	2823	10.75	5.27	0.49	2837	10.63	5.21	0.49	2930	10.48	5.14	0.49	3057	10.30	5.05	0.49	3260	10.06	4.93	0.49	3409	9.76	4.78	0.49	3535	8.96	4.39	0.49	3752	7.39	3.62	0.49	3894
25	24	11.39	4.21	0.37	2771	11.27	4.17	0.37	2796	11.15	4.13	0.37	2820	11.01	4.07	0.37	2843	10.90	4.03	0.37	2857	10.78	3.99	0.37	2950	10.63	3.93	0.37	3077	10.44	3.86	0.37	3280	10.20	3.77	0.37	3429	9.90	3.66	0.37	3555	9.09	3.36	0.37	3772	7.50	2.77	0.37	3913
26	18	11.04	8.50	0.77	2737	10.93	8.42	0.77	2762	10.82	8.33	0.77	2788	10.68	8.22	0.77	2810	10.57	8.14	0.77	2824	10.46	8.05	0.77	2918	10.31	7.94	0.77	3046	10.13	7.80	0.77	3252	9.89	7.62	0.77	3402	9.60	7.40	0.77	3529	8.82	6.79	0.77	3749	7.27	5.60	0.77	3892
26	20	11.38	7.40	0.65	2762	11.27	7.33	0.65	2787	11.15	7.25	0.65	2812	11.00	7.15	0.65	2835	10.89	7.08	0.65	2849	10.78	7.00	0.65	2943	10.63	6.91	0.65	3071	10.44	6.79	0.65	3277	10.19	6.63	0.65	3427	9.90	6.43	0.65	3554	9.09	5.91	0.65	3774	7.50	4.87	0.65	3916
26	22	11.58	6.14	0.53	2779	11.46	6.07	0.53	2804	11.34	6.01	0.53	2829	11.19	5.93	0.53	2852	11.08	5.87	0.53	2866	10.96	5.81	0.53	2960	10.81	5.73	0.53	3088	10.62	5.63	0.53	3293	10.37	5.50	0.53	3444	10.07	5.34	0.53	3571	9.24	4.90	0.53	3790	7.62	4.04	0.53	3933
26	24	11.74	4.81	0.41	2799	11.62	4.76	0.41	2824	11.50	4.71	0.41	2849	11.35	4.65	0.41	2871	11.24	4.61	0.41	2886	11.11	4.56	0.41	2979	10.96	4.49	0.41	3108	10.77	4.41	0.41	3313	10.51	4.31	0.41	3463	10.21	4.18	0.41	3591	9.37	3.84	0.41	3810	7.73	3.17	0.41	3953
26	26	11.93	3.46	0.29	2822	11.81	3.42	0.29	2847	11.68	3.39	0.29	2872	11.53	3.34	0.29	2894	11.41	3.31	0.29	2908	11.29	3.27	0.29	3002	11.13	3.23	0.29	3130	10.94	3.17	0.29	3336	10.68	3.10	0.29	3486	10.37	3.01	0.29	3614	9.52	2.76	0.29	3833	7.85	2.28	0.29	3976
27	18	11.27	9.13	0.81	2765	11.16	9.04	0.81	2790	11.04	8.94	0.81	2816	10.89	8.82	0.81	2838	10.79	8.74	0.81	2853	10.67	8.64	0.81	2947	10.52	8.52	0.81	3077	10.34	8.37	0.81	3285	10.09	8.18	0.81	3436	9.80	7.94	0.81	3565	9.00	7.29	0.81	3787	7.42	6.01	0.81	3931
27	20	11.50	8.62	0.75	2775	11.39	8.54	0.75	2800	11.26	8.45	0.75	2826	11.12	8.34	0.75	2848	11.01	8.26	0.75	2863	10.89	8.17	0.75	2957	10.74	8.05	0.75	3087	10.55	7.91	0.75	3295	10.30	7.73	0.75	3446	10.00	7.50	0.75	3575	9.18	6.89	0.75	3797	7.57	5.68	0.75	3941
27	22	11.61	8.01	0.69	2790	11.50	7.93	0.69	2815	11.37	7.85	0.69	2841	11.23	7.75	0.69	2863	11.12	7.67	0.69	2878	11.00	7.59	0.69	2972	10.84	7.48	0.69	3102	10.65	7.35	0.69	3310	10.40	7.18	0.69	3461	10.10	6.97	0.69	3590	9.27	6.40	0.69	3812	7.65	5.28	0.69	3956
27	24	11.81	6.73	0.57	2807	11.69	6.67	0.57	2832	11.57	6.59	0.57	2858	11.42	6.51	0.57	2880	11.31	6.44	0.57	2895	11.18	6.37	0.57	2989	11.03	6.29	0.57	3119	10.83	6.18	0.57	3327	10.58	6.03	0.57	3478	10.27	5.85	0.57	3607	9.43	5.37	0.57	3829	7.78	4.43	0.57	3973
27	26	11.98	5.39	0.45	2827	11.																																											

## 4. CAPACITIES AND SELECTION DATA

		PERFORMANCE DATA (Cooling Operation at Rated Frequency)																																															
		AUD-36UX4SNEH5																																															
		CAPACITY: 10.0 kW SHF: 0.75 INPUT: 3575 W																																															
ID DB (°C)	IN WB (°C)	OUTDOOR DB (°C)																																															
		-15		-5		0		5		10		15		20		25		30		35		40		45																									
		Q	SHC	SHF	IPT	Q	SHC	SHF	IPT	Q	SHC	SHF	IPT	Q	SHC	SHF	IPT	Q	SHC	SHF	IPT	Q	SHC	SHF	IPT	Q	SHC	SHF	IPT	Q	SHC	SHF	IPT	Q	SHC	SHF	IPT	Q	SHC	SHF	IPT	Q	SHC	SHF	IPT				
29	18	11.50	10.00	0.87	2821	11.38	9.90	0.87	2846	11.26	9.79	0.87	2872	11.11	9.67	0.87	2896	11.00	9.57	0.87	2910	10.88	9.47	0.87	3007	10.73	9.34	0.87	3139	10.54	9.17	0.87	3351	10.30	8.96	0.87	3505	10.00	8.70	0.87	3637	9.18	7.98	0.87	3863	7.57	6.59	0.87	4010
29	20	11.73	9.03	0.77	2846	11.61	8.94	0.77	2872	11.49	8.85	0.77	2898	11.34	8.73	0.77	2921	11.23	8.65	0.77	2936	11.11	8.55	0.77	3032	10.95	8.43	0.77	3164	10.76	8.28	0.77	3376	10.51	8.09	0.77	3531	10.20	7.85	0.77	3662	9.36	7.21	0.77	3888	7.73	5.95	0.77	4035
29	22	11.97	7.78	0.65	2863	11.85	7.70	0.65	2889	11.72	7.62	0.65	2915	11.57	7.52	0.65	2938	11.45	7.44	0.65	2953	11.33	7.36	0.65	3050	11.17	7.26	0.65	3182	10.97	7.13	0.65	3394	10.72	6.97	0.65	3548	10.41	6.76	0.65	3680	9.55	6.21	0.65	3906	7.88	5.12	0.65	4053
29	24	12.05	6.39	0.53	2884	11.93	6.32	0.53	2910	11.80	6.25	0.53	2936	11.65	6.17	0.53	2959	11.53	6.11	0.53	2973	11.41	6.05	0.53	3070	11.25	5.96	0.53	3202	11.05	5.86	0.53	3414	10.79	5.72	0.53	3569	10.48	5.55	0.53	3700	9.62	5.10	0.53	3926	7.94	4.21	0.53	4073
29	26	12.22	5.01	0.41	2907	12.10	4.96	0.41	2933	11.97	4.91	0.41	2959	11.81	4.84	0.41	2982	11.69	4.79	0.41	2997	11.57	4.74	0.41	3093	11.41	4.68	0.41	3226	11.21	4.59	0.41	3437	10.94	4.49	0.41	3592	10.62	4.36	0.41	3723	9.75	4.00	0.41	3949	8.05	3.30	0.41	4097
30	18	11.61	10.10	0.87	2849	11.50	10.00	0.87	2875	11.37	9.89	0.87	2901	11.22	9.77	0.87	2924	11.11	9.67	0.87	2939	10.99	9.56	0.87	3037	10.84	9.43	0.87	3170	10.65	9.27	0.87	3384	10.40	9.05	0.87	3540	10.10	8.78	0.87	3673	9.27	8.06	0.87	3901	7.65	6.65	0.87	4050
30	20	11.85	9.60	0.81	2875	11.73	9.50	0.81	2901	11.60	9.40	0.81	2927	11.45	9.28	0.81	2950	11.34	9.19	0.81	2965	11.22	9.09	0.81	3063	11.06	8.96	0.81	3196	10.87	8.80	0.81	3410	10.61	8.60	0.81	3566	10.30	8.35	0.81	3699	9.46	7.66	0.81	3927	7.80	6.32	0.81	4076
30	22	12.08	8.34	0.69	2892	11.97	8.26	0.69	2918	11.84	8.17	0.69	2944	11.68	8.06	0.69	2968	11.57	7.98	0.69	2983	11.44	7.89	0.69	3080	11.28	7.79	0.69	3214	11.08	7.65	0.69	3427	10.82	7.47	0.69	3584	10.51	7.25	0.69	3716	9.65	6.66	0.69	3945	7.96	5.49	0.69	4093
30	24	12.17	6.94	0.57	2913	12.05	6.87	0.57	2939	11.92	6.79	0.57	2965	11.77	6.71	0.57	2988	11.65	6.64	0.57	3003	11.52	6.57	0.57	3101	11.36	6.48	0.57	3234	11.16	6.36	0.57	3448	10.90	6.21	0.57	3604	10.58	6.03	0.57	3737	9.72	5.54	0.57	3965	8.01	4.57	0.57	4114
30	26	12.34	5.55	0.45	2936	12.22	5.50	0.45	2962	12.09	5.44	0.45	2989	11.93	5.37	0.45	3012	11.81	5.32	0.45	3027	11.68	5.26	0.45	3124	11.52	5.18	0.45	3258	11.32	5.09	0.45	3472	11.05	4.97	0.45	3628	10.73	4.83	0.45	3761	9.85	4.43	0.45	3989	8.13	3.66	0.45	4138
31	18	11.73	10.20	0.87	2877	11.61	10.10	0.87	2904	11.48	9.99	0.87	2930	11.34	9.86	0.87	2954	11.22	9.77	0.87	2969	11.10	9.66	0.87	3067	10.95	9.53	0.87	3202	10.76	9.36	0.87	3418	10.50	9.14	0.87	3576	10.20	8.87	0.87	3710	9.36	8.14	0.87	3940	7.72	6.72	0.87	4091
31	20	11.97	10.17	0.85	2903	11.85	10.07	0.85	2930	11.72	9.96	0.85	2956	11.57	9.83	0.85	2980	11.45	9.74	0.85	2995	11.33	9.63	0.85	3093	11.17	9.50	0.85	3228	10.98	9.33	0.85	3444	10.72	9.11	0.85	3602	10.41	8.85	0.85	3736	9.55	8.12	0.85	3966	7.88	6.70	0.85	4117
31	22	12.21	8.91	0.73	2921	12.08	8.82	0.73	2947	11.95	8.73	0.73	2974	11.80	8.61	0.73	2997	11.68	8.53	0.73	3012	11.56	8.44	0.73	3111	11.40	8.32	0.73	3246	11.19	8.17	0.73	3462	10.93	7.98	0.73	3620	10.61	7.75	0.73	3753	9.74	7.11	0.73	3984	8.04	5.87	0.73	4134
31	24	12.29	7.50	0.61	2942	12.17	7.42	0.61	2968	12.04	7.34	0.61	2995	11.88	7.25	0.61	3018	11.77	7.18	0.61	3033	11.64	7.10	0.61	3132	11.48	7.00	0.61	3267	11.27	6.88	0.61	3483	11.01	6.72	0.61	3640	10.69	6.52	0.61	3774	9.81	5.99	0.61	4005	8.10	4.94	0.61	4155
31	26	12.46	6.11	0.49	2966	12.34	6.05	0.49	2992	12.21	5.98	0.49	3018	12.05	5.90	0.49	3042	11.93	5.85	0.49	3057	11.80	5.78	0.49	3156	11.64	5.70	0.49	3290	11.43	5.60	0.49	3506	11.16	5.47	0.49	3664	10.84	5.31	0.49	3798	9.95	4.88	0.49	4029	8.21	4.02	0.49	4179
32	18	11.84	10.30	0.87	2906	11.73	10.20	0.87	2933	11.60	10.09	0.87	2959	11.45	9.96	0.87	2983	11.34	9.86	0.87	2998	11.21	9.76	0.87	3098	11.06	9.62	0.87	3234	10.86	9.45	0.87	3452	10.61	9.23	0.87	3612	10.30	8.96	0.87	3747	9.46	8.23	0.87	3980	7.80	6.79	0.87	4131
32	20	12.09	10.51	0.87	2932	11.97	10.41	0.87	2959	11.84	10.30	0.87	2986	11.68	10.17	0.87	3010	11.57	10.06	0.87	3025	11.44	9.96	0.87	3124	11.28	9.82	0.87	3260	11.09	9.64	0.87	3478	10.83	9.42	0.87	3638	10.51	9.14	0.87	3773	9.65	8.39	0.87	4006	7.96	6.93	0.87	4158
32	22	12.33	9.49	0.77	2950	12.21	9.40	0.77	2977	12.07	9.30	0.77	3003	11.92	9.18	0.77	3027	11.80	9.09	0.77	3042	11.67	8.99	0.77	3142	11.51	8.86	0.77	3278	11.31	8.71	0.77	3496	11.04	8.50	0.77	3656	10.72	8.25	0.77	3791	9.84	7.58	0.77	4024	8.12	6.25	0.77	4176
32	24	12.41	8.07	0.65	2971	12.29	7.99	0.65	2998	12.16	7.90	0.65	3024	12.00	7.80	0.65	3048	11.88	7.72	0.65	3063	11.75	7.64	0.65	3163	11.59	7.53	0.65	3299	11.39	7.40	0.65	3517	11.12	7.23	0.65	3677	10.80	7.02	0.65	3812	9.91	6.44	0.65	4045	8.18	5.31	0.65	4197
32	26	12.59	6.67	0.53	2995	12.46	6.61	0.53	3022	12.33	6.53	0.53	3049	12.17	6.45	0.53	3073	12.05	6.39	0.53	3088	11.92	6.32	0.53	3187	11.75	6.23	0.53	3323	11.55	6.12	0.53	3542	11.28	5.98	0.53	3701	10.95	5.80	0.53	3836	10.05	5.33	0.53	4069	8.29	4.39	0.53	4221

**Remarks:**

**Q:** Total Heating / Cooling Capacity (Gross) kW

**INPUT:** Power Input (including the compressor, evap. fan motor & cond. **W DB:** Dry Bulb

Temperature

**WB:** Wet Bulb Temperature

**SHC:** Sensible Heat Capacity

**SHF:** Sensible Heat Factor



## 4. CAPACITIES AND SELECTION DATA

The following charts show the characteristics of outdoor unit capacity, which corresponds with the operating ambient temperature of outdoor unit. Conditions:

① Pipe length / height difference: 5m / 0m ② Indoor fan speed at high fan speed ③ Capacity loss due to white frost and defrost operation is not included.

48K

PERFORMANCE DATA (Cooling Operation at Rated Frequency)																																																	
AUD-48UX6SNEH5																																																	
CAPACITY: 13.5 kW SHF: 0.75 INPUT: 5400 W																																																	
ID DB (°C)	IN WB (°C)	OUTDOOR DB (°C)																																															
		-15		-5		0		5		10		15		20		25		30		35		40		45																									
		Q	SHC	SHF	IPT	Q	SHC	SHF	IPT	Q	SHC	SHF	IPT	Q	SHC	SHF	IPT	Q	SHC	SHF	IPT	Q	SHC	SHF	IPT	Q	SHC	SHF	IPT	Q	SHC	SHF	IPT	Q	SHC	SHF	IPT	Q	SHC	SHF	IPT								
21	18	13.07	7.45	0.57	3937	12.94	7.38	0.57	3973	12.80	7.30	0.57	4009	12.63	7.20	0.57	4041	12.51	7.13	0.57	4062	12.37	7.05	0.57	4196	12.20	6.96	0.57	4381	11.99	6.83	0.57	4676	11.71	6.67	0.57	4892	11.36	6.48	0.57	5075	10.43	5.95	0.57	5390	8.61	4.91	0.57	5595
21	20	13.61	6.12	0.45	3961	13.47	6.06	0.45	3996	13.33	6.00	0.45	4033	13.16	5.92	0.45	4065	13.02	5.86	0.45	4085	12.88	5.80	0.45	4220	12.71	5.72	0.45	4404	12.48	5.62	0.45	4699	12.19	5.48	0.45	4915	11.83	5.32	0.45	5098	10.86	4.89	0.45	5413	8.96	4.03	0.45	5618
22	18	13.47	8.22	0.61	3977	13.34	8.14	0.61	4013	13.19	8.05	0.61	4049	13.02	7.95	0.61	4082	12.90	7.87	0.61	4103	12.76	7.78	0.61	4239	12.58	7.67	0.61	4425	12.36	7.54	0.61	4723	12.07	7.36	0.61	4941	11.72	7.15	0.61	5126	10.76	6.56	0.61	5444	8.87	5.41	0.61	5651
22	20	13.89	6.80	0.49	4001	13.75	6.74	0.49	4037	13.60	6.66	0.49	4073	13.42	6.58	0.49	4106	13.29	6.51	0.49	4127	13.15	6.44	0.49	4263	12.96	6.35	0.49	4449	12.74	6.24	0.49	4747	12.44	6.09	0.49	4965	12.07	5.92	0.49	5150	11.08	5.43	0.49	5468	9.14	4.48	0.49	5675
22	22	14.12	5.22	0.37	4017	13.98	5.17	0.37	4053	13.83	5.12	0.37	4089	13.65	5.05	0.37	4122	13.52	5.00	0.37	4143	13.37	4.95	0.37	4279	13.19	4.88	0.37	4465	12.95	4.79	0.37	4763	12.65	4.68	0.37	4981	12.28	4.54	0.37	5166	11.27	4.17	0.37	5484	9.30	3.44	0.37	5691
23	18	13.75	8.94	0.65	4017	13.61	8.85	0.65	4054	13.46	8.75	0.65	4090	13.29	8.64	0.65	4123	13.16	8.55	0.65	4144	13.02	8.46	0.65	4282	12.84	8.34	0.65	4470	12.61	8.20	0.65	4771	12.31	8.00	0.65	4991	11.96	7.77	0.65	5178	10.97	7.13	0.65	5499	9.05	5.89	0.65	5709
23	20	14.17	7.51	0.53	4041	14.03	7.44	0.53	4078	13.88	7.35	0.53	4114	13.70	7.26	0.53	4147	13.56	7.19	0.53	4168	13.41	7.11	0.53	4306	13.23	7.01	0.53	4494	13.00	6.89	0.53	4795	12.69	6.73	0.53	5015	12.32	6.53	0.53	5202	11.31	5.99	0.53	5523	9.33	4.95	0.53	5733
23	22	14.41	5.91	0.41	4057	14.27	5.85	0.41	4094	14.11	5.79	0.41	4131	13.93	5.71	0.41	4164	13.79	5.65	0.41	4185	13.64	5.59	0.41	4322	13.45	5.52	0.41	4510	13.22	5.42	0.41	4811	12.91	5.29	0.41	5031	12.53	5.14	0.41	5218	11.50	4.72	0.41	5540	9.49	3.89	0.41	5749
24	18	14.03	9.68	0.69	4058	13.89	9.58	0.69	4094	13.74	9.48	0.69	4132	13.56	9.36	0.69	4165	13.43	9.27	0.69	4186	13.28	9.16	0.69	4325	13.10	9.04	0.69	4515	12.87	8.88	0.69	4819	12.57	8.67	0.69	5041	12.20	8.42	0.69	5230	11.20	7.73	0.69	5555	9.24	6.37	0.69	5766
24	20	14.46	8.24	0.57	4082	14.31	8.16	0.57	4119	14.16	8.07	0.57	4156	13.98	7.97	0.57	4189	13.84	7.89	0.57	4210	13.69	7.80	0.57	4349	13.50	7.69	0.57	4539	13.26	7.56	0.57	4843	12.95	7.38	0.57	5066	12.57	7.17	0.57	5254	11.54	6.58	0.57	5579	9.52	5.43	0.57	5790
24	22	14.70	6.62	0.45	4098	14.56	6.55	0.45	4135	14.40	6.48	0.45	4172	14.21	6.40	0.45	4206	14.07	6.33	0.45	4227	13.92	6.26	0.45	4366	13.73	6.18	0.45	4556	13.49	6.07	0.45	4860	13.17	5.93	0.45	5082	12.79	5.75	0.45	5271	11.74	5.28	0.45	5596	9.68	4.36	0.45	5807
24	24	14.91	4.92	0.33	4118	14.76	4.87	0.33	4155	14.60	4.82	0.33	4192	14.41	4.76	0.33	4225	14.27	4.71	0.33	4246	14.12	4.66	0.33	4385	13.92	4.59	0.33	4575	13.67	4.51	0.33	4879	13.35	4.41	0.33	5101	12.97	4.28	0.33	5290	11.90	3.93	0.33	5615	9.82	3.24	0.33	5826
25	18	14.46	10.56	0.73	4098	14.32	10.45	0.73	4136	14.16	10.34	0.73	4173	13.98	10.21	0.73	4207	13.84	10.11	0.73	4228	13.69	10.00	0.73	4368	13.50	9.86	0.73	4560	13.26	9.68	0.73	4868	12.95	9.46	0.73	5092	12.58	9.18	0.73	5283	11.55	8.43	0.73	5611	9.52	6.95	0.73	5824
25	20	14.90	9.09	0.61	4123	14.76	9.00	0.61	4160	14.60	8.90	0.61	4198	14.41	8.79	0.61	4232	14.27	8.70	0.61	4253	14.11	8.61	0.61	4393	13.92	8.49	0.61	4585	13.67	8.34	0.61	4892	13.35	8.14	0.61	5117	12.96	7.91	0.61	5307	11.90	7.26	0.61	5635	9.82	5.99	0.61	5849
25	22	15.16	7.43	0.49	4140	15.01	7.35	0.49	4177	14.84	7.27	0.49	4215	14.65	7.18	0.49	4248	14.51	7.11	0.49	4270	14.35	7.03	0.49	4410	14.15	6.94	0.49	4602	13.90	6.81	0.49	4909	13.58	6.65	0.49	5133	13.18	6.46	0.49	5324	12.10	5.93	0.49	5652	9.98	4.89	0.49	5866
25	24	15.37	5.69	0.37	4159	15.22	5.63	0.37	4197	15.05	5.57	0.37	4234	14.86	5.50	0.37	4268	14.71	5.44	0.37	4289	14.55	5.38	0.37	4429	14.35	5.31	0.37	4621	14.10	5.22	0.37	4928	13.77	5.09	0.37	5153	13.37	4.95	0.37	5344	12.27	4.54	0.37	5672	10.12	3.75	0.37	5885
26	18	14.91	11.48	0.77	4140	14.76	11.37	0.77	4178	14.60	11.24	0.77	4216	14.41	11.10	0.77	4250	14.27	10.99	0.77	4271	14.12	10.87	0.77	4413	13.92	10.72	0.77	4607	13.67	10.53	0.77	4917	13.35	10.28	0.77	5144	12.97	9.98	0.77	5336	11.90	9.16	0.77	5668	9.82	7.56	0.77	5883
26	20	15.37	9.99	0.65	4165	15.21	9.89	0.65	4202	15.05	9.78	0.65	4240	14.86	9.66	0.65	4274	14.71	9.56	0.65	4296	14.55	9.46	0.65	4437	14.35	9.33	0.65	4631	14.09	9.16	0.65	4942	13.76	8.95	0.65	5168	13.36	8.69	0.65	5361	12.27	7.97	0.65	5692	10.12	6.58	0.65	5908
26	22	15.63	8.28	0.53	4181	15.47	8.20	0.53	4219	15.30	8.11	0.53	4257	15.11	8.01	0.53	4291	14.96	7.93	0.53	4313	14.80	7.84	0.53	4454	14.59	7.73	0.53	4648	14.33	7.60	0.53	4958	14.00	7.42	0.53	5185	13.59	7.20	0.53	5378	12.48	6.61	0.53	5709	10.29	5.45	0.53	5925
26	24	15.85	6.50	0.41	4201	15.69	6.43	0.41	4239	15.52	6.36	0.41	4277	15.32	6.28	0.41	4311	15.17	6.22	0.41	4332	15.00	6.15	0.41	4474	14.80	6.07	0.41	4668	14.53	5.96	0.41	4978	14.19	5.82	0.41	5205	13.78	5.65	0.41	5397	12.65	5.19	0.41	5729	10.44	4.28	0.41	5945
26	26	16.10	4.67	0.29	4224	15.94	4.62	0.29	4262	15.77	4.57	0.29	4300	15.56	4.51	0.29	4334	15.41	4.47	0.29	4355	15.24	4.42	0.29	4497	15.03	4.36	0.29	4691	14.77	4.28	0.29	5001	14.42	4.18	0.29	5228	14.00	4.06	0.29	5420	12.85	3.73	0.29	5752	10.60	3.07	0.29	5967
27	18	15.21	12.32	0.81	4182	15.06	12.20	0.81	4220	14.90	12.07	0.81	4258	14.71	11.91	0.81	4293	14.56	11.80	0.81	4314	14.40	11.67	0.81	4457	14.21	11.51	0.81	4653	13.95	11.30	0.81	4967	13.63	11.04	0.81	5196	13.23	10.72	0.81	5390	12.15	9.84	0.81	5725	10.02	8.12	0.81	5943
27	20	15.52	11.64	0.75	4192	15.37	11.53	0.75	4230	15.20	11.40	0.75	4268	15.01	11.26	0.75	4303	14.86	11.14	0.75	4324	14.70	11.02	0.75	4467	14.50	10.87	0.75	4663	14.24	10.68	0.75	4977	13.91	10.43	0.75	5206	13.50	10.13	0.75	5400	12.39	9.29	0.75	5735	10.22	7.67	0.75	5953
27	22	15.68	10.82	0.69	4207	15.52	10.71	0.69	4245	15.36	10.60	0.69	4283	15.16	10.46	0.69	4318	15.01	10.36	0.69	4339	14.84	10.24	0.69	4482	14.64	10.10	0.69	4678	14.38	9.92	0.69	4992	14.04	9.69	0.69	5221	13.64	9.41	0.69	5415	12.52	8.64	0.69	5750	10.33	7.13	0.69	5968
27	24	15.95	9.09	0.57	4224	15.79	9.00	0.57	4262	15.62	8.90	0.57	4300	15.42	8.79	0.57	4335	15.26	8.70	0.57	4356	15.10	8.61	0.57	4499	14.89	8.49	0.57	4695	14.63	8.34	0.57	5009	14.28	8.14	0.57	5238	13.87	7.90	0.57	5432	12.73	7.26	0.57	5				

## 4. CAPACITIES AND SELECTION DATA

PERFORMANCE DATA (Cooling Operation at Rated Frequency)																																																	
AUD-48UX6SNEH5																																																	
CAPACITY: 13.5 kW SHF: 0.75 INPUT: 5400 W																																																	
ID DB (°C)	IN WB (°C)	OUTDOOR DB (°C)																																															
		-15		-5		0		5		10		15		20		25		30		35		40		45																									
		Q	SHC	SHF	IPT	Q	SHC	SHF	IPT	Q	SHC	SHF	IPT	Q	SHC	SHF	IPT	Q	SHC	SHF	IPT	Q	SHC	SHF	IPT	Q	SHC	SHF	IPT	Q	SHC	SHF	IPT	Q	SHC	SHF	IPT	Q	SHC	SHF	IPT								
29	18	15.52	13.50	0.87	4266	15.37	13.37	0.87	4305	15.20	13.22	0.87	4344	15.00	13.05	0.87	4379	14.86	12.92	0.87	4401	14.69	12.78	0.87	4547	14.49	12.61	0.87	4747	14.23	12.38	0.87	5066	13.90	12.09	0.87	5300	13.50	11.74	0.87	5498	12.39	10.78	0.87	5840	10.22	8.89	0.87	6062
29	20	15.84	12.19	0.77	4291	15.68	12.07	0.77	4330	15.51	11.94	0.77	4369	15.31	11.79	0.77	4404	15.16	11.67	0.77	4426	14.99	11.54	0.77	4572	14.79	11.39	0.77	4772	14.52	11.18	0.77	5092	14.18	10.92	0.77	5326	13.77	10.60	0.77	5524	12.64	9.73	0.77	5865	10.43	8.03	0.77	6088
29	22	16.15	10.50	0.65	4309	15.99	10.40	0.65	4347	15.82	10.28	0.65	4387	15.62	10.15	0.65	4422	15.46	10.05	0.65	4444	15.29	9.94	0.65	4590	15.08	9.80	0.65	4789	14.82	9.63	0.65	5109	14.47	9.40	0.65	5343	14.05	9.13	0.65	5541	12.89	8.38	0.65	5883	10.64	6.91	0.65	6105
29	24	16.27	8.62	0.53	4329	16.11	8.54	0.53	4368	15.93	8.44	0.53	4407	15.73	8.33	0.53	4442	15.57	8.25	0.53	4464	15.40	8.16	0.53	4610	15.19	8.05	0.53	4810	14.92	7.91	0.53	5130	14.57	7.72	0.53	5363	14.15	7.50	0.53	5562	12.99	6.88	0.53	5903	10.71	5.68	0.53	6125
29	26	16.49	6.76	0.41	4352	16.33	6.70	0.41	4391	16.15	6.62	0.41	4430	15.95	6.54	0.41	4466	15.79	6.47	0.41	4488	15.62	6.40	0.41	4633	15.40	6.31	0.41	4833	15.13	6.20	0.41	5153	14.77	6.06	0.41	5387	14.34	5.88	0.41	5585	13.17	5.40	0.41	5927	10.86	4.45	0.41	6149
30	18	15.67	13.64	0.87	4308	15.52	13.50	0.87	4348	15.35	13.36	0.87	4387	15.15	13.18	0.87	4423	15.00	13.05	0.87	4445	14.84	12.91	0.87	4592	14.64	12.73	0.87	4794	14.38	12.51	0.87	5117	14.04	12.21	0.87	5353	13.63	11.86	0.87	5553	12.51	10.89	0.87	5898	10.32	8.98	0.87	6123
30	20	15.99	12.96	0.81	4334	15.84	12.83	0.81	4373	15.66	12.69	0.81	4413	15.46	12.53	0.81	4448	15.31	12.40	0.81	4471	15.14	12.27	0.81	4618	14.93	12.10	0.81	4820	14.67	11.88	0.81	5143	14.33	11.60	0.81	5379	13.91	11.27	0.81	5579	12.77	10.34	0.81	5924	10.53	8.53	0.81	6149
30	22	16.31	11.26	0.69	4352	16.15	11.15	0.69	4391	15.98	11.02	0.69	4430	15.77	10.88	0.69	4466	15.62	10.78	0.69	4488	15.45	10.66	0.69	4636	15.23	10.51	0.69	4837	14.96	10.32	0.69	5160	14.61	10.08	0.69	5396	14.19	9.79	0.69	5597	13.02	8.99	0.69	5942	10.74	7.41	0.69	6166
30	24	16.43	9.36	0.57	4372	16.27	9.27	0.57	4412	16.09	9.17	0.57	4451	15.88	9.05	0.57	4487	15.73	8.96	0.57	4509	15.55	8.87	0.57	4656	15.34	8.74	0.57	4858	15.07	8.59	0.57	5181	14.72	8.39	0.57	5417	14.29	8.14	0.57	5617	13.12	7.48	0.57	5962	10.82	6.17	0.57	6187
30	26	16.66	7.50	0.45	4396	16.49	7.42	0.45	4435	16.31	7.34	0.45	4475	16.11	7.25	0.45	4510	15.95	7.18	0.45	4533	15.77	7.10	0.45	4680	15.55	7.00	0.45	4882	15.28	6.88	0.45	5205	14.92	6.71	0.45	5441	14.49	6.52	0.45	5641	13.30	5.98	0.45	5986	10.97	4.94	0.45	6210
31	18	15.83	13.77	0.87	4352	15.67	13.64	0.87	4391	15.50	13.49	0.87	4431	15.31	13.32	0.87	4467	15.15	13.18	0.87	4489	14.99	13.04	0.87	4638	14.78	12.86	0.87	4842	14.52	12.63	0.87	5168	14.18	12.34	0.87	5407	13.77	11.98	0.87	5609	12.64	11.00	0.87	5957	10.43	9.07	0.87	6184
31	20	16.15	13.73	0.85	4378	15.99	13.60	0.85	4417	15.82	13.45	0.85	4457	15.62	13.27	0.85	4493	15.46	13.14	0.85	4515	15.29	13.00	0.85	4664	15.08	12.82	0.85	4868	14.82	12.59	0.85	5194	14.47	12.30	0.85	5433	14.05	11.94	0.85	5635	12.90	10.96	0.85	5983	10.64	9.04	0.85	6210
31	22	16.48	12.03	0.73	4395	16.31	11.91	0.73	4435	16.14	11.78	0.73	4475	15.93	11.63	0.73	4511	15.77	11.51	0.73	4533	15.60	11.39	0.73	4682	15.39	11.23	0.73	4886	15.11	11.03	0.73	5212	14.76	10.77	0.73	5450	14.33	10.46	0.73	5653	13.15	9.60	0.73	6001	10.85	7.92	0.73	6228
31	24	16.59	10.12	0.61	4416	16.43	10.02	0.61	4456	16.25	9.91	0.61	4496	16.04	9.79	0.61	4531	15.88	9.69	0.61	4554	15.71	9.58	0.61	4703	15.49	9.45	0.61	4906	15.22	9.28	0.61	5233	14.86	9.07	0.61	5471	14.43	8.80	0.61	5673	13.25	8.08	0.61	6022	10.93	6.67	0.61	6249
31	26	16.83	8.24	0.49	4440	16.66	8.16	0.49	4480	16.48	8.07	0.49	4520	16.27	7.97	0.49	4555	16.11	7.89	0.49	4578	15.93	7.81	0.49	4727	15.71	7.70	0.49	4930	15.43	7.56	0.49	5257	15.07	7.38	0.49	5495	14.63	7.17	0.49	5697	13.43	6.58	0.49	6046	11.08	5.43	0.49	6272
32	18	15.99	13.91	0.87	4395	15.83	13.77	0.87	4435	15.66	13.62	0.87	4475	15.46	13.45	0.87	4512	15.31	13.32	0.87	4534	15.14	13.17	0.87	4685	14.93	12.99	0.87	4890	14.67	12.76	0.87	5220	14.32	12.46	0.87	5461	13.90	12.10	0.87	5665	12.76	11.11	0.87	6017	10.53	9.16	0.87	6246
32	20	16.32	14.20	0.87	4421	16.15	14.05	0.87	4461	15.98	13.90	0.87	4502	15.77	13.72	0.87	4538	15.62	13.59	0.87	4561	15.45	13.44	0.87	4711	15.23	13.25	0.87	4917	14.97	13.02	0.87	5246	14.61	12.71	0.87	5487	14.19	12.34	0.87	5691	13.03	11.33	0.87	6043	10.75	9.35	0.87	6272
32	22	16.64	12.81	0.77	4439	16.48	12.69	0.77	4479	16.30	12.55	0.77	4520	16.09	12.39	0.77	4556	15.93	12.27	0.77	4578	15.76	12.13	0.77	4729	15.54	11.97	0.77	4935	15.26	11.75	0.77	5264	14.91	11.48	0.77	5505	14.47	11.14	0.77	5709	13.29	10.23	0.77	6061	10.96	8.44	0.77	6290
32	24	16.76	10.89	0.65	4460	16.59	10.79	0.65	4500	16.41	10.67	0.65	4541	16.20	10.53	0.65	4577	16.04	10.43	0.65	4599	15.87	10.31	0.65	4750	15.65	10.17	0.65	4956	15.37	9.99	0.65	5285	15.01	9.76	0.65	5526	14.57	9.47	0.65	5730	13.38	8.70	0.65	6082	11.04	7.17	0.65	6311
32	26	16.99	9.01	0.53	4484	16.83	8.92	0.53	4524	16.64	8.82	0.53	4565	16.43	8.71	0.53	4601	16.27	8.62	0.53	4624	16.09	8.53	0.53	4774	15.87	8.41	0.53	4980	15.59	8.26	0.53	5309	15.22	8.07	0.53	5550	14.78	7.83	0.53	5754	13.57	7.19	0.53	6106	11.19	5.93	0.53	6335

**Remarks:**

**Q:** Total Heating / Cooling Capacity (Gross) kW

**INPUT:** Power Input (including the compressor, evap. fan motor & cond. **W DB:** Dry Bulb

Temperature

**WB:** Wet Bulb Temperature

**SHC:** Sensible Heat Capacity

**SHF:** Sensible Heat Factor

## 4. CAPACITIES AND SELECTION DATA

The following charts show the characteristics of outdoor unit capacity, which corresponds with the operating ambient temperature of outdoor unit. Conditions:

⑬ Pipe length / height difference: 5m / 0m ⑭ Indoor fan speed at high fan speed ⑮ Capacity loss due to white frost and defrost operation is not included.

60K

		PERFORMANCE DATA (Cooling Operation at Rated Frequency)																																															
		AUD-60UX6SNEH5																																															
		CAPACITY: 15.5 kW SHF: 0.75 INPUT: 6330 W																																															
ID DB (°C)	IN WB (°C)	OUTDOOR DB (°C)																																															
		-15				-5				0				5				10				15				20				25				30				35				40				45			
		Q	SHC	SHF	IPT	Q	SHC	SHF	IPT	Q	SHC	SHF	IPT	Q	SHC	SHF	IPT	Q	SHC	SHF	IPT	Q	SHC	SHF	IPT	Q	SHC	SHF	IPT	Q	SHC	SHF	IPT	Q	SHC	SHF	IPT	Q	SHC	SHF	IPT	Q	SHC	SHF	IPT	Q	SHC	SHF	IPT
21	18	15.00	8.55	0.57	4617	14.86	8.47	0.57	4659	14.69	8.38	0.57	4701	14.51	8.27	0.57	4739	14.36	8.19	0.57	4763	14.21	8.10	0.57	4921	14.01	7.99	0.57	5137	13.76	7.84	0.57	5483	13.44	7.66	0.57	5736	13.05	7.44	0.57	5950	11.98	6.83	0.57	6320	9.88	5.63	0.57	6560
21	20	15.62	7.03	0.45	4640	15.47	6.96	0.45	4682	15.30	6.89	0.45	4725	15.10	6.80	0.45	4763	14.95	6.73	0.45	4786	14.79	6.66	0.45	4944	14.59	6.56	0.45	5160	14.33	6.45	0.45	5506	13.99	6.30	0.45	5759	13.59	6.11	0.45	5974	12.47	5.61	0.45	6343	10.29	4.63	0.45	6584
22	18	15.47	9.44	0.61	4663	15.32	9.34	0.61	4706	15.15	9.24	0.61	4749	14.95	9.12	0.61	4787	14.81	9.03	0.61	4811	14.65	8.93	0.61	4970	14.44	8.81	0.61	5189	14.19	8.65	0.61	5538	13.86	8.45	0.61	5794	13.45	8.21	0.61	6010	12.35	7.53	0.61	6383	10.19	6.21	0.61	6626
22	20	15.94	7.81	0.49	4687	15.78	7.73	0.49	4730	15.61	7.65	0.49	4772	15.41	7.55	0.49	4811	15.26	7.48	0.49	4835	15.09	7.40	0.49	4994	14.89	7.29	0.49	5212	14.62	7.16	0.49	5562	14.28	7.00	0.49	5817	13.86	6.79	0.49	6034	12.73	6.24	0.49	6407	10.50	5.14	0.49	6650
22	22	16.21	6.00	0.37	4703	16.05	5.94	0.37	4746	15.88	5.87	0.37	4788	15.67	5.80	0.37	4827	15.52	5.74	0.37	4851	15.35	5.68	0.37	5010	15.14	5.60	0.37	5229	14.87	5.50	0.37	5578	14.52	5.37	0.37	5833	14.10	5.22	0.37	6050	12.94	4.79	0.37	6423	10.68	3.95	0.37	6666
23	18	15.78	10.26	0.65	4710	15.63	10.16	0.65	4753	15.46	10.05	0.65	4797	15.26	9.92	0.65	4835	15.11	9.82	0.65	4860	14.94	9.71	0.65	5021	14.74	9.58	0.65	5241	14.48	9.41	0.65	5594	14.14	9.19	0.65	5852	13.73	8.92	0.65	6071	12.60	8.19	0.65	6448	10.40	6.76	0.65	6693
23	20	16.27	8.62	0.53	4734	16.11	8.54	0.53	4777	15.93	8.44	0.53	4821	15.73	8.34	0.53	4859	15.57	8.25	0.53	4884	15.40	8.16	0.53	5045	15.19	8.05	0.53	5265	14.92	7.91	0.53	5618	14.57	7.72	0.53	5876	14.15	7.50	0.53	6095	12.99	6.88	0.53	6472	10.71	5.68	0.53	6717
23	22	16.54	6.78	0.41	4751	16.38	6.72	0.41	4794	16.20	6.64	0.41	4837	15.99	6.56	0.41	4876	15.84	6.49	0.41	4900	15.66	6.42	0.41	5061	15.45	6.33	0.41	5281	15.17	6.22	0.41	5634	14.82	6.08	0.41	5892	14.39	5.90	0.41	6111	13.21	5.41	0.41	6488	10.90	4.47	0.41	6734
24	18	16.11	11.11	0.69	4758	15.95	11.00	0.69	4801	15.77	10.88	0.69	4845	15.57	10.74	0.69	4884	15.42	10.64	0.69	4909	15.25	10.52	0.69	5071	15.04	10.38	0.69	5294	14.77	10.19	0.69	5651	14.43	9.95	0.69	5911	14.01	9.66	0.69	6132	12.86	8.87	0.69	6513	10.61	7.32	0.69	6761
24	20	16.60	9.46	0.57	4782	16.44	9.37	0.57	4826	16.26	9.27	0.57	4869	16.05	9.15	0.57	4908	15.89	9.06	0.57	4933	15.72	8.96	0.57	5096	15.50	8.83	0.57	5318	15.23	8.68	0.57	5675	14.87	8.47	0.57	5935	14.44	8.23	0.57	6157	13.25	7.55	0.57	6537	10.93	6.23	0.57	6785
24	22	16.88	7.60	0.45	4799	16.71	7.52	0.45	4842	16.53	7.44	0.45	4886	16.32	7.34	0.45	4925	16.16	7.27	0.45	4949	15.98	7.19	0.45	5112	15.76	7.09	0.45	5335	15.48	6.97	0.45	5691	15.12	6.80	0.45	5952	14.68	6.61	0.45	6173	13.48	6.06	0.45	6554	11.12	5.00	0.45	6802
24	24	17.12	5.65	0.33	4818	16.95	5.59	0.33	4861	16.76	5.53	0.33	4905	16.55	5.46	0.33	4944	16.39	5.41	0.33	4969	16.21	5.35	0.33	5131	15.98	5.27	0.33	5354	15.70	5.18	0.33	5711	15.33	5.06	0.33	5971	14.89	4.91	0.33	6192	13.67	4.51	0.33	6573	11.27	3.72	0.33	6821
25	18	16.60	12.12	0.73	4806	16.44	12.00	0.73	4850	16.26	11.87	0.73	4894	16.05	11.72	0.73	4933	15.89	11.60	0.73	4958	15.72	11.48	0.73	5123	15.50	11.32	0.73	5348	15.23	11.12	0.73	5708	14.87	10.86	0.73	5971	14.44	10.54	0.73	6194	13.26	9.68	0.73	6579	10.94	7.98	0.73	6829
25	20	17.11	10.44	0.61	4831	16.94	10.34	0.61	4874	16.76	10.22	0.61	4918	16.54	10.09	0.61	4958	16.38	9.99	0.61	4983	16.20	9.88	0.61	5147	15.98	9.75	0.61	5372	15.70	9.57	0.61	5732	15.33	9.35	0.61	5995	14.88	9.08	0.61	6219	13.66	8.33	0.61	6603	11.27	6.88	0.61	6854
25	22	17.40	8.53	0.49	4847	17.23	8.44	0.49	4891	17.04	8.35	0.49	4935	16.83	8.24	0.49	4975	16.66	8.16	0.49	4999	16.48	8.07	0.49	5164	16.25	7.96	0.49	5389	15.96	7.82	0.49	5749	15.59	7.64	0.49	6012	15.13	7.42	0.49	6235	13.89	6.81	0.49	6620	11.46	5.62	0.49	6870
25	24	17.65	6.53	0.37	4867	17.47	6.46	0.37	4911	17.28	6.39	0.37	4955	17.06	6.31	0.37	4994	16.89	6.25	0.37	5019	16.71	6.18	0.37	5183	16.48	6.10	0.37	5408	16.19	5.99	0.37	5769	15.81	5.85	0.37	6032	15.35	5.68	0.37	6255	14.09	5.21	0.37	6640	11.62	4.30	0.37	6890
26	18	17.12	13.18	0.77	4855	16.95	13.05	0.77	4899	16.76	12.91	0.77	4943	16.55	12.74	0.77	4983	16.39	12.62	0.77	5008	16.21	12.48	0.77	5174	15.98	12.31	0.77	5402	15.70	12.09	0.77	5765	15.33	11.81	0.77	6031	14.89	11.46	0.77	6257	13.67	10.52	0.77	6645	11.27	8.68	0.77	6898
26	20	17.64	11.47	0.65	4879	17.47	11.35	0.65	4924	17.28	11.23	0.65	4968	17.06	11.09	0.65	5008	16.89	10.98	0.65	5033	16.70	10.86	0.65	5199	16.47	10.71	0.65	5426	16.18	10.52	0.65	5790	15.80	10.27	0.65	6056	15.34	9.97	0.65	6282	14.08	9.15	0.65	6670	11.62	7.55	0.65	6923
26	22	17.94	9.51	0.53	4896	17.76	9.42	0.53	4940	17.57	9.31	0.53	4985	17.35	9.19	0.53	5025	17.17	9.10	0.53	5050	16.99	9.00	0.53	5216	16.75	8.88	0.53	5443	16.46	8.72	0.53	5807	16.07	8.52	0.53	6073	15.60	8.27	0.53	6298	14.32	7.59	0.53	6687	11.82	6.26	0.53	6940
26	24	18.19	7.46	0.41	4916	18.01	7.39	0.41	4960	17.82	7.31	0.41	5005	17.59	7.21	0.41	5045	17.41	7.14	0.41	5070	17.23	7.06	0.41	5236	16.99	6.96	0.41	5463	16.69	6.84	0.41	5827	16.30	6.68	0.41	6093	15.82	6.49	0.41	6318	14.52	5.95	0.41	6707	11.98	4.91	0.41	6960
26	26	18.48	5.36	0.29	4939	18.30	5.31	0.29	4983	18.10	5.25	0.29	5027	17.87	5.18	0.29	5067	17.69	5.13	0.29	5093	17.50	5.08	0.29	5258	17.26	5.01	0.29	5486	16.95	4.92	0.29	5850	16.56	4.80	0.29	6115	16.07	4.66	0.29	6341	14.76	4.28	0.29	6729	12.17	3.53	0.29	6982
27	18	17.47	14.15	0.81	4904	17.29	14.01	0.81	4948	17.11	13.86	0.81	4993	16.89	13.68	0.81	5034	16.72	13.54	0.81	5059	16.54	13.40	0.81	5227	16.31	13.21	0.81	5456	16.02	12.98	0.81	5824	15.65	12.67	0.81	6092	15.19	12.30	0.81	6320	13.94	11.29	0.81	6712	11.50	9.32	0.81	6968
27	19	17.82	13.37	0.75	4914	17.65	13.24	0.75	4958	17.46	13.09	0.75	5003	17.23	12.92	0.75	5044	17.06	12.80	0.75	5069	16.88	12.66	0.75	5237	16.64	12.48	0.75	5466	16.35	12.26	0.75	5834	15.97	11.97	0.75	6102	15.50	11.63	0.75	6330	14.23	10.67	0.75	6722	11.74	8.80	0.75	6978
27	20	18.00	12.42	0.69	4929	17.82	12.30	0.69	4973	17.63	12.16	0.69	5018	17.40	12.01	0.69	5059	17.23	11.89	0.69	5084	17.04	11.76	0.69	5252	16.81	11.60	0.69	5481	16.51	11.39	0.69	5849	16.12	11.13	0.69	6117	15.66	10.80	0.69	6345	14.37	9.92	0.69	6737	11.86	8.18	0.69	6993
27	22	18.31	10.44	0.57	4946	18.13	10.33	0.57	4990	17.93	10.22	0.57	5035	17.70	10.09	0.57	5076	17.52	9.99	0.57	5101	17.33	9.88	0.57	5269	17.09	9.74	0.57	5498	16.79																			

## 4. CAPACITIES AND SELECTION DATA

PERFORMANCE DATA (Cooling Operation at Rated Frequency)																																																	
AUD-60UX6SNEH5																																																	
CAPACITY: 15.5 kW SHF: 0.75 INPUT: 6330 W																																																	
ID DB (°C)	IN WB (°C)	OUTDOOR DB (°C)																																															
		-15		-5		0		5		10		15		20		25		30		35		40		45																									
		Q	SHC	SHF	IPT	Q	SHC	SHF	IPT	Q	SHC	SHF	IPT	Q	SHC	SHF	IPT	Q	SHC	SHF	IPT	Q	SHC	SHF	IPT	Q	SHC	SHF	IPT	Q	SHC	SHF	IPT	Q	SHC	SHF	IPT	Q	SHC	SHF	IPT								
29	18	17.82	15.50	0.87	5002	17.64	15.35	0.87	5048	17.45	15.18	0.87	5094	17.23	14.99	0.87	5135	17.06	14.84	0.87	5161	16.87	14.68	0.87	5332	16.64	14.47	0.87	5566	16.34	14.22	0.87	5941	15.96	13.89	0.87	6215	15.50	13.48	0.87	6447	14.22	12.38	0.87	6847	11.74	10.21	0.87	7108
29	20	18.18	14.00	0.77	5028	18.00	13.86	0.77	5073	17.81	13.71	0.77	5119	17.58	13.54	0.77	5160	17.40	13.40	0.77	5186	17.21	13.26	0.77	5357	16.98	13.07	0.77	5591	16.68	12.84	0.77	5966	16.29	12.54	0.77	6240	15.81	12.17	0.77	6473	14.52	11.18	0.77	6873	11.97	9.22	0.77	7133
29	22	18.55	12.05	0.65	5045	18.36	11.94	0.65	5091	18.16	11.81	0.65	5136	17.93	11.65	0.65	5178	17.75	11.54	0.65	5203	17.56	11.41	0.65	5374	17.32	11.26	0.65	5609	17.01	11.06	0.65	5984	16.61	10.80	0.65	6257	16.13	10.48	0.65	6490	14.81	9.62	0.65	6890	12.21	7.94	0.65	7151
29	24	18.68	9.90	0.53	5065	18.49	9.80	0.53	5111	18.29	9.69	0.53	5157	18.06	9.57	0.53	5198	17.88	9.47	0.53	5224	17.68	9.37	0.53	5395	17.44	9.24	0.53	5629	17.13	9.08	0.53	6004	16.73	8.87	0.53	6278	16.24	8.61	0.53	6510	14.91	7.90	0.53	6911	12.30	6.52	0.53	7171
29	26	18.94	7.76	0.41	5089	18.75	7.69	0.41	5134	18.55	7.60	0.41	5180	18.31	7.51	0.41	5222	18.13	7.43	0.41	5247	17.93	7.35	0.41	5418	17.68	7.25	0.41	5652	17.37	7.12	0.41	6027	16.96	6.95	0.41	6301	16.47	6.75	0.41	6534	15.12	6.20	0.41	6934	12.47	5.11	0.41	7195
30	18	18.00	15.66	0.87	5052	17.82	15.50	0.87	5098	17.62	15.33	0.87	5145	17.40	15.14	0.87	5186	17.23	14.99	0.87	5212	17.04	14.82	0.87	5385	16.80	14.62	0.87	5621	16.51	14.36	0.87	6000	16.12	14.02	0.87	6277	15.65	13.62	0.87	6512	14.37	12.50	0.87	6916	11.85	10.31	0.87	7179
30	20	18.36	14.88	0.81	5078	18.18	14.73	0.81	5124	17.98	14.57	0.81	5170	17.75	14.38	0.81	5212	17.58	14.24	0.81	5238	17.39	14.08	0.81	5411	17.15	13.89	0.81	5647	16.84	13.64	0.81	6026	16.45	13.32	0.81	6302	15.97	12.94	0.81	6537	14.66	11.87	0.81	6942	12.09	9.80	0.81	7205
30	22	18.73	12.92	0.69	5095	18.55	12.80	0.69	5141	18.34	12.66	0.69	5188	18.11	12.50	0.69	5229	17.93	12.37	0.69	5256	17.73	12.24	0.69	5428	17.49	12.07	0.69	5665	17.18	11.85	0.69	6043	16.78	11.58	0.69	6320	16.29	11.24	0.69	6555	14.95	10.32	0.69	6959	12.34	8.51	0.69	7222
30	24	18.86	10.75	0.57	5116	18.68	10.65	0.57	5162	18.47	10.53	0.57	5208	18.24	10.39	0.57	5250	18.06	10.29	0.57	5276	17.86	10.18	0.57	5449	17.61	10.04	0.57	5685	17.30	9.86	0.57	6064	16.90	9.63	0.57	6341	16.40	9.35	0.57	6575	15.06	8.58	0.57	6980	12.42	7.08	0.57	7243
30	26	19.13	8.61	0.45	5140	18.94	8.52	0.45	5186	18.73	8.43	0.45	5232	18.49	8.32	0.45	5274	18.31	8.24	0.45	5300	18.11	8.15	0.45	5472	17.86	8.04	0.45	5709	17.54	7.89	0.45	6088	17.13	7.71	0.45	6364	16.63	7.48	0.45	6599	15.27	6.87	0.45	7003	12.60	5.67	0.45	7267
31	18	18.18	15.81	0.87	5103	18.00	15.66	0.87	5149	17.80	15.49	0.87	5196	17.57	15.29	0.87	5238	17.40	15.14	0.87	5264	17.21	14.97	0.87	5439	16.97	14.77	0.87	5678	16.67	14.50	0.87	6060	16.28	14.16	0.87	6339	15.81	13.75	0.87	6577	14.51	12.62	0.87	6985	11.97	10.41	0.87	7251
31	20	18.55	15.77	0.85	5129	18.36	15.61	0.85	5175	18.16	15.44	0.85	5222	17.93	15.24	0.85	5264	17.75	15.09	0.85	5290	17.56	14.93	0.85	5465	17.32	14.72	0.85	5704	17.01	14.46	0.85	6086	16.61	14.12	0.85	6365	16.13	13.71	0.85	6603	14.81	12.59	0.85	7011	12.22	10.38	0.85	7277
31	22	18.92	13.81	0.73	5146	18.73	13.67	0.73	5193	18.53	13.53	0.73	5240	18.29	13.35	0.73	5282	18.11	13.22	0.73	5308	17.91	13.08	0.73	5482	17.66	12.90	0.73	5721	17.35	12.67	0.73	6104	16.95	12.37	0.73	6383	16.45	12.01	0.73	6620	15.10	11.03	0.73	7029	12.46	9.10	0.73	7295
31	24	19.05	11.62	0.61	5167	18.86	11.51	0.61	5214	18.66	11.38	0.61	5261	18.42	11.24	0.61	5303	18.24	11.12	0.61	5329	18.04	11.00	0.61	5503	17.79	10.85	0.61	5742	17.47	10.66	0.61	6125	17.06	10.41	0.61	6404	16.57	10.11	0.61	6641	15.21	9.28	0.61	7050	12.55	7.65	0.61	7315
31	26	19.32	9.47	0.49	5191	19.13	9.37	0.49	5238	18.92	9.27	0.49	5284	18.68	9.15	0.49	5326	18.49	9.06	0.49	5353	18.29	8.96	0.49	5527	18.04	8.84	0.49	5766	17.72	8.68	0.49	6149	17.30	8.48	0.49	6428	16.80	8.23	0.49	6665	15.42	7.56	0.49	7073	12.72	6.23	0.49	7339
32	18	18.36	15.97	0.87	5154	18.18	15.81	0.87	5201	17.98	15.64	0.87	5248	17.75	15.44	0.87	5290	17.57	15.29	0.87	5317	17.38	15.12	0.87	5493	17.14	14.91	0.87	5734	16.84	14.65	0.87	6121	16.44	14.31	0.87	6403	15.96	13.89	0.87	6642	14.66	12.75	0.87	7055	12.09	10.52	0.87	7323
32	20	18.73	16.30	0.87	5180	18.55	16.14	0.87	5227	18.35	15.96	0.87	5274	18.11	15.76	0.87	5317	17.93	15.60	0.87	5343	17.74	15.43	0.87	5519	17.49	15.22	0.87	5761	17.18	14.95	0.87	6147	16.78	14.60	0.87	6429	16.29	14.17	0.87	6669	14.95	13.01	0.87	7081	12.34	10.73	0.87	7350
32	22	19.11	14.71	0.77	5198	18.92	14.57	0.77	5245	18.71	14.41	0.77	5292	18.47	14.22	0.77	5335	18.29	14.08	0.77	5361	18.09	13.93	0.77	5537	17.84	13.74	0.77	5779	17.53	13.49	0.77	6165	17.11	13.18	0.77	6447	16.62	12.79	0.77	6687	15.25	11.75	0.77	7099	12.58	9.69	0.77	7367
32	24	19.24	12.51	0.65	5219	19.05	12.38	0.65	5266	18.84	12.25	0.65	5313	18.60	12.09	0.65	5356	18.42	11.97	0.65	5382	18.22	11.84	0.65	5558	17.97	11.68	0.65	5800	17.65	11.47	0.65	6186	17.24	11.20	0.65	6468	16.73	10.88	0.65	6708	15.36	9.98	0.65	7120	12.67	8.24	0.65	7389
32	26	19.51	10.34	0.53	5243	19.32	10.24	0.53	5290	19.11	10.13	0.53	5337	18.86	10.00	0.53	5380	18.68	9.90	0.53	5406	18.47	9.79	0.53	5582	18.22	9.66	0.53	5824	17.90	9.48	0.53	6210	17.48	9.26	0.53	6492	16.97	8.99	0.53	6732	15.58	8.26	0.53	7144	12.85	6.81	0.53	7413

**Remarks:**

**Q:** Total Heating / Cooling Capacity (Gross) kW

**INPUT:** Power Input (including the compressor, evap. fan motor & cond. **W DB:** Dry Bulb

Temperature

**WB:** Wet Bulb Temperature

**SHC:** Sensible Heat Capacity

**SHF:** Sensible Heat Factor

## 4. CAPACITIES AND SELECTION DATA

### Cassette

#### 18K

PERFORMANCE DATA (Heating Operation at Rated Frequency)																
ACT-18UR4SSAC5																
CAPACITY: 5.5kW INPUT: 1895 W																
INDOOR DB(°C)	OUTDOOR DB(°C)															
	-15		-10		-5		0		5		10		15		20	
	Q	INPUT	Q	INPUT	Q	INPUT	Q	INPUT	Q	INPUT	Q	INPUT	Q	INPUT	Q	INPUT
10	4.13	1566	4.84	1594	5.99	1632	6.05	1678	6.12	1718	6.19	1838	6.25	1894	6.33	1933
12	4.00	1597	4.71	1629	5.69	1666	5.92	1709	5.99	1749	6.06	1865	6.13	1922	6.20	1964
14	3.87	1628	4.59	1663	5.14	1701	5.80	1741	5.86	1779	5.93	1892	6.00	1950	6.07	1995
16	3.75	1659	4.46	1697	5.01	1734	5.67	1772	5.74	1810	5.81	1920	5.87	1976	5.95	2025
18	3.62	1689	4.33	1731	4.88	1769	5.45	1804	5.50	1841	5.68	1947	5.75	2004	5.82	2056
20	3.49	1720	4.21	1765	4.76	1803	5.42	1835	5.48	1872	5.65	1974	5.62	2032	5.69	2087
22	3.37	1751	4.08	1800	4.63	1838	5.29	1866	5.36	1903	5.43	2001	5.55	2059	5.57	2118
24	3.24	1781	3.95	1834	4.50	1872	5.16	1897	5.23	1933	5.30	2028	5.37	2087	5.44	2149
26	3.11	1812	3.83	1868	4.38	1906	5.04	1928	5.10	1964	5.18	2056	5.24	2114	5.31	2180
28	2.99	1843	3.70	1903	4.25	1941	4.91	1959	4.98	1995	5.05	2083	5.12	2142	5.19	2211
30	2.86	1873	3.58	1937	4.13	1975	4.79	1991	4.85	2025	4.92	2110	4.99	2169	5.06	2242

#### 24K

PERFORMANCE DATA (Heating Operation at Rated Frequency)																
AUC-24UR4SJJC5																
CAPACITY: 8.0kW INPUT: 2285 W																
INDOOR DB(°C)	OUTDOOR DB(°C)															
	-15		-10		-5		0		5		10		15		20	
	Q	INPUT	Q	INPUT	Q	INPUT	Q	INPUT	Q	INPUT	Q	INPUT	Q	INPUT	Q	INPUT
10	6.00	1889	7.04	1922	8.71	1968	8.80	2024	8.90	2072	9.00	2216	9.10	2284	9.20	2331
12	5.82	1926	6.86	1964	8.28	2009	8.62	2061	8.71	2109	8.82	2248	8.91	2318	9.02	2368
14	5.63	1963	6.67	2005	7.47	2051	8.43	2099	8.53	2146	8.63	2281	8.73	2351	8.83	2406
16	5.45	2000	6.49	2046	7.29	2091	8.25	2137	8.34	2183	8.45	2315	8.54	2383	8.65	2442
18	5.26	2037	6.30	2087	7.10	2133	7.92	2175	8.00	2220	8.26	2348	8.36	2416	8.46	2479
20	5.08	2074	6.12	2129	6.92	2174	7.88	2212	7.98	2257	8.22	2381	8.18	2450	8.28	2517
22	4.90	2111	5.94	2170	6.74	2216	7.70	2250	7.79	2294	7.90	2413	8.07	2483	8.10	2554
24	4.71	2148	5.75	2211	6.55	2257	7.51	2288	7.61	2331	7.71	2446	7.81	2516	7.91	2591
26	4.53	2185	5.57	2253	6.37	2299	7.33	2325	7.42	2368	7.53	2479	7.62	2549	7.73	2629
28	4.34	2222	5.38	2294	6.18	2340	7.14	2363	7.24	2405	7.34	2511	7.44	2583	7.54	2666
30	4.16	2259	5.20	2336	6.00	2381	6.96	2400	7.06	2442	7.16	2544	7.26	2616	7.36	2703

#### 36K

PERFORMANCE DATA (Heating Operation at Rated Frequency)																
AUC-36UR4SKKC5																
CAPACITY: 11.0kW INPUT: 3025 W																
INDOOR DB(°C)	OUTDOOR DB(°C)															
	-15		-10		-5		0		5		10		15		20	
	Q	INPUT	Q	INPUT	Q	INPUT	Q	INPUT	Q	INPUT	Q	INPUT	Q	INPUT	Q	INPUT
10	8.25	2500	9.68	2545	11.98	2605	12.10	2679	12.23	2742	12.38	2934	12.51	3024	12.65	3086
12	8.00	2549	9.43	2600	11.39	2660	11.85	2729	11.98	2791	12.12	2977	12.25	3068	12.40	3135
14	7.74	2598	9.17	2655	10.27	2715	11.59	2778	11.73	2840	11.87	3020	12.00	3112	12.14	3185
16	7.49	2647	8.92	2708	10.02	2769	11.34	2829	11.47	2890	11.62	3065	11.75	3155	11.89	3233
18	7.24	2696	8.67	2763	9.77	2824	10.89	2879	11.00	2939	11.36	3108	11.50	3199	11.64	3282
20	6.99	2745	8.42	2818	9.52	2878	10.84	2929	10.97	2988	11.31	3152	11.24	3243	11.39	3332
22	6.73	2794	8.16	2873	9.26	2933	10.58	2979	10.71	3037	10.86	3195	11.10	3287	11.13	3381
24	6.48	2844	7.91	2928	9.01	2988	10.33	3028	10.46	3086	10.60	3238	10.74	3331	10.88	3430
26	6.23	2893	7.66	2983	8.76	3043	10.08	3078	10.21	3135	10.35	3281	10.48	3375	10.63	3480
28	5.97	2942	7.40	3037	8.50	3098	9.82	3128	9.96	3184	10.10	3325	10.23	3419	10.37	3529
30	5.72	2991	7.15	3092	8.25	3153	9.57	3178	9.70	3233	9.85	3368	9.98	3463	10.12	3579

## 4. CAPACITIES AND SELECTION DATA

48K

PERFORMANCE DATA (Heating Operation at Rated Frequency)																
AUC-48UR6SNKC5																
CAPACITY: 15.5kW INPUT: 5030 W																
INDOOR DB(°C)	OUTDOOR DB(°C)															
	-15		-10		-5		0		5		10		15		20	
	Q	INPUT	Q	INPUT	Q	INPUT	Q	INPUT	Q	INPUT	Q	INPUT	Q	INPUT	Q	INPUT
10	11.63	4158	13.64	4231	16.88	4332	17.05	4455	17.24	4560	17.44	4878	17.62	5028	17.83	5131
12	11.27	4239	13.28	4323	16.04	4423	16.69	4538	16.88	4642	17.08	4950	17.27	5102	17.47	5214
14	10.91	4321	12.93	4414	14.48	4515	16.34	4620	16.52	4723	16.72	5021	16.91	5175	17.11	5296
16	10.56	4402	12.57	4503	14.12	4604	15.98	4705	16.17	4805	16.37	5096	16.55	5246	16.76	5376
18	10.20	4484	12.21	4595	13.76	4695	15.35	4787	15.50	4887	16.01	5168	16.20	5319	16.40	5458
20	9.84	4565	11.86	4686	13.41	4786	15.27	4870	15.45	4968	15.93	5240	15.84	5393	16.04	5540
22	9.49	4647	11.50	4777	13.05	4877	14.91	4953	15.10	5050	15.30	5312	15.64	5466	15.69	5622
24	9.13	4728	11.14	4868	12.69	4969	14.55	5036	14.74	5132	14.94	5384	15.13	5539	15.33	5704
26	8.77	4810	10.79	4959	12.34	5060	14.20	5118	14.38	5213	14.59	5456	14.77	5612	14.97	5786
28	8.42	4891	10.43	5051	11.98	5151	13.84	5201	14.03	5295	14.23	5528	14.42	5685	14.62	5868
30	8.06	4973	10.08	5142	11.63	5242	13.49	5284	13.67	5376	13.87	5600	14.06	5758	14.26	5951

60K

PERFORMANCE DATA (Heating Operation at Rated Frequency)																
AUC-60UR6SNKC5																
CAPACITY: 15.5kW INPUT: 4920 W																
INDOOR DB(°C)	OUTDOOR DB(°C)															
	-15		-10		-5		0		5		10		15		20	
	Q	INPUT	Q	INPUT	Q	INPUT	Q	INPUT	Q	INPUT	Q	INPUT	Q	INPUT	Q	INPUT
10	11.63	4067	13.64	4139	16.88	4237	17.05	4358	17.24	4460	17.44	4771	17.62	4919	17.83	5019
12	11.27	4147	13.28	4228	16.04	4327	16.69	4438	16.88	4540	17.08	4841	17.27	4990	17.47	5100
14	10.91	4226	12.93	4318	14.48	4416	16.34	4519	16.52	4620	16.72	4911	16.91	5062	17.11	5180
16	10.56	4306	12.57	4405	14.12	4503	15.98	4602	16.17	4700	16.37	4985	16.55	5132	16.76	5258
18	10.20	4386	12.21	4494	13.76	4592	15.35	4683	15.50	4780	16.01	5055	16.20	5203	16.40	5338
20	9.84	4465	11.86	4583	13.41	4682	15.27	4764	15.45	4860	15.93	5126	15.84	5275	16.04	5419
22	9.49	4545	11.50	4672	13.05	4771	14.91	4845	15.10	4940	15.30	5196	15.64	5346	15.69	5499
24	9.13	4625	11.14	4762	12.69	4860	14.55	4926	14.74	5019	14.94	5266	15.13	5418	15.33	5579
26	8.77	4705	10.79	4851	12.34	4949	14.20	5006	14.38	5099	14.59	5337	14.77	5489	14.97	5660
28	8.42	4784	10.43	4940	11.98	5038	13.84	5087	14.03	5179	14.23	5407	14.42	5561	14.62	5740
30	8.06	4864	10.08	5029	11.63	5128	13.49	5168	13.67	5259	13.87	5478	14.06	5632	14.26	5820

## 4. CAPACITIES AND SELECTION DATA

### Ceiling & Floor 18K

PERFORMANCE DATA (Heating Operation at Rated Frequency)																
AUV-18UR4SSA5																
CAPACITY: 5.5kW INPUT: 1580 W																
INDOOR DB(°C)	OUTDOOR DB(°C)															
	-15		-10		-5		0		5		10		15		20	
	Q	INPUT	Q	INPUT	Q	INPUT	Q	INPUT	Q	INPUT	Q	INPUT	Q	INPUT	Q	INPUT
10	4.13	1306	4.84	1329	5.99	1361	6.05	1399	6.12	1432	6.19	1532	6.25	1580	6.33	1612
12	4.00	1332	4.71	1358	5.69	1389	5.92	1425	5.99	1458	6.06	1555	6.13	1603	6.20	1638
14	3.87	1357	4.59	1387	5.14	1418	5.80	1451	5.86	1484	5.93	1577	6.00	1626	6.07	1664
16	3.75	1383	4.46	1415	5.01	1446	5.67	1478	5.74	1509	5.81	1601	5.87	1648	5.95	1689
18	3.62	1408	4.33	1443	4.88	1475	5.45	1504	5.50	1535	5.68	1623	5.75	1671	5.82	1714
20	3.49	1434	4.21	1472	4.76	1503	5.42	1530	5.48	1561	5.65	1646	5.62	1694	5.69	1740
22	3.37	1460	4.08	1501	4.63	1532	5.29	1556	5.36	1586	5.43	1669	5.55	1717	5.57	1766
24	3.24	1485	3.95	1529	4.50	1561	5.16	1582	5.23	1612	5.30	1691	5.37	1740	5.44	1792
26	3.11	1511	3.83	1558	4.38	1589	5.04	1608	5.10	1638	5.18	1714	5.24	1763	5.31	1818
28	2.99	1536	3.70	1586	4.25	1618	4.91	1634	4.98	1663	5.05	1736	5.12	1786	5.19	1843
30	2.86	1562	3.58	1615	4.13	1647	4.79	1660	4.85	1689	4.92	1759	4.99	1809	5.06	1869

### 24K

PERFORMANCE DATA (Cooling Operation at Rated Frequency)																
AUV-24UR4SJA5																
CAPACITY: 7.0 kW SHF: 0.75 INPUT: 2380 W																
INDOOR DB(°C)	OUTDOOR DB(°C)															
	-15		-10		-5		0		5		10		15		20	
	Q	INPUT	Q	INPUT	Q	INPUT	Q	INPUT	Q	INPUT	Q	INPUT	Q	INPUT	Q	INPUT
10	6.78	3.86	0.57	1730	6.71	3.82	0.57	1746	6.64	3.78	0.57	1762	6.55	3.73	0.57	1776
12	7.06	3.18	0.45	1753	6.99	3.14	0.45	1769	6.91	3.11	0.45	1785	6.82	3.07	0.45	1799
14	6.99	4.26	0.61	1747	6.92	4.22	0.61	1763	6.84	4.17	0.61	1779	6.75	4.12	0.61	1794
16	7.20	3.53	0.49	1771	7.13	3.49	0.49	1787	7.05	3.45	0.49	1803	6.96	3.41	0.49	1818
18	7.32	2.71	0.37	1787	7.25	2.68	0.37	1803	7.17	2.65	0.37	1819	7.08	2.62	0.37	1834
20	7.13	4.63	0.65	1765	7.06	4.59	0.65	1781	6.98	4.54	0.65	1797	6.89	4.48	0.65	1812
22	7.35	3.89	0.53	1789	7.27	3.86	0.53	1805	7.19	3.81	0.53	1821	7.10	3.76	0.53	1836
24	7.47	3.06	0.41	1805	7.40	3.03	0.41	1822	7.32	3.00	0.41	1838	7.22	2.96	0.41	1852
26	7.27	5.02	0.69	1783	7.20	4.97	0.69	1799	7.12	4.92	0.69	1816	7.03	4.85	0.69	1830
28	7.50	4.27	0.57	1807	7.42	4.23	0.57	1823	7.34	4.18	0.57	1840	7.25	4.13	0.57	1855
30	7.62	3.43	0.45	1824	7.55	3.40	0.45	1840	7.47	3.36	0.45	1856	7.37	3.32	0.45	1871

### 36K

PERFORMANCE DATA (Heating Operation at Rated Frequency)																
AUV-36UR4SKC5																
CAPACITY: 11.0kW INPUT: 3125 W																
INDOOR DB(°C)	OUTDOOR DB(°C)															
	-15		-10		-5		0		5		10		15		20	
	Q	INPUT	Q	INPUT	Q	INPUT	Q	INPUT	Q	INPUT	Q	INPUT	Q	INPUT	Q	INPUT
10	8.25	2583	9.68	2629	11.98	2691	12.10	2768	12.23	2833	12.38	3031	12.51	3124	12.65	3188
12	8.00	2634	9.43	2686	11.39	2748	11.85	2819	11.98	2884	12.12	3075	12.25	3170	12.40	3239
14	7.74	2684	9.17	2743	10.27	2805	11.59	2870	11.73	2934	11.87	3119	12.00	3215	12.14	3290
16	7.49	2735	8.92	2798	10.02	2860	11.34	2923	11.47	2985	11.62	3166	11.75	3259	11.89	3340
18	7.24	2786	8.67	2854	9.77	2917	10.89	2974	11.00	3036	11.36	3211	11.50	3305	11.64	3391
20	6.99	2836	8.42	2911	9.52	2974	10.84	3026	10.97	3087	11.31	3256	11.24	3350	11.39	3442
22	6.73	2887	8.16	2968	9.26	3030	10.58	3077	10.71	3137	10.86	3300	11.10	3396	11.13	3493
24	6.48	2938	7.91	3024	9.01	3087	10.33	3129	10.46	3188	10.60	3345	10.74	3441	10.88	3544
26	6.23	2988	7.66	3081	8.76	3144	10.08	3180	10.21	3239	10.35	3390	10.48	3487	10.63	3595
28	5.97	3039	7.40	3138	8.50	3200	9.82	3231	9.96	3289	10.10	3434	10.23	3532	10.37	3646
30	5.72	3089	7.15	3194	8.25	3257	9.57	3283	9.70	3340	9.85	3479	9.98	3577	10.12	3697

## 4. CAPACITIES AND SELECTION DATA

### 48K

PERFORMANCE DATA (Heating Operation at Rated Frequency)																
AUV-48UR6SNC5																
CAPACITY: 15.5kW INPUT: 5030 W																
INDOOR DB(°C)	OUTDOOR DB(°C)															
	-15		-10		-5		0		5		10		15		20	
	Q	INPUT	Q	INPUT	Q	INPUT	Q	INPUT	Q	INPUT	Q	INPUT	Q	INPUT	Q	INPUT
10	11.63	4158	13.64	4231	16.88	4332	17.05	4455	17.24	4560	17.44	4878	17.62	5028	17.83	5131
12	11.27	4239	13.28	4323	16.04	4423	16.69	4538	16.88	4642	17.08	4950	17.27	5102	17.47	5214
14	10.91	4321	12.93	4414	14.48	4515	16.34	4620	16.52	4723	16.72	5021	16.91	5175	17.11	5296
16	10.56	4402	12.57	4503	14.12	4604	15.98	4705	16.17	4805	16.37	5096	16.55	5246	16.76	5376
18	10.20	4484	12.21	4595	13.76	4695	15.35	4787	15.50	4887	16.01	5168	16.20	5319	16.40	5458
20	9.84	4565	11.86	4686	13.41	4786	15.27	4870	15.45	4968	15.93	5240	15.84	5393	16.04	5540
22	9.49	4647	11.50	4777	13.05	4877	14.91	4953	15.10	5050	15.30	5312	15.64	5466	15.69	5622
24	9.13	4728	11.14	4868	12.69	4969	14.55	5036	14.74	5132	14.94	5384	15.13	5539	15.33	5704
26	8.77	4810	10.79	4959	12.34	5060	14.20	5118	14.38	5213	14.59	5456	14.77	5612	14.97	5786
28	8.42	4891	10.43	5051	11.98	5151	13.84	5201	14.03	5295	14.23	5528	14.42	5685	14.62	5868
30	8.06	4973	10.08	5142	11.63	5242	13.49	5284	13.67	5376	13.87	5600	14.06	5758	14.26	5951

### 60K

PERFORMANCE DATA (Heating Operation at Rated Frequency)																
AUV-60UR6SNC5																
CAPACITY: 15.5kW INPUT: 5030 W																
INDOOR DB(°C)	OUTDOOR DB(°C)															
	-15		-10		-5		0		5		10		15		20	
	Q	INPUT	Q	INPUT	Q	INPUT	Q	INPUT	Q	INPUT	Q	INPUT	Q	INPUT	Q	INPUT
10	11.63	4158	13.64	4231	16.88	4332	17.05	4455	17.24	4560	17.44	4878	17.62	5028	17.83	5131
12	11.27	4239	13.28	4323	16.04	4423	16.69	4538	16.88	4642	17.08	4950	17.27	5102	17.47	5214
14	10.91	4321	12.93	4414	14.48	4515	16.34	4620	16.52	4723	16.72	5021	16.91	5175	17.11	5296
16	10.56	4402	12.57	4503	14.12	4604	15.98	4705	16.17	4805	16.37	5096	16.55	5246	16.76	5376
18	10.20	4484	12.21	4595	13.76	4695	15.35	4787	15.50	4887	16.01	5168	16.20	5319	16.40	5458
20	9.84	4565	11.86	4686	13.41	4786	15.27	4870	15.45	4968	15.93	5240	15.84	5393	16.04	5540
22	9.49	4647	11.50	4777	13.05	4877	14.91	4953	15.10	5050	15.30	5312	15.64	5466	15.69	5622
24	9.13	4728	11.14	4868	12.69	4969	14.55	5036	14.74	5132	14.94	5384	15.13	5539	15.33	5704
26	8.77	4810	10.79	4959	12.34	5060	14.20	5118	14.38	5213	14.59	5456	14.77	5612	14.97	5786
28	8.42	4891	10.43	5051	11.98	5151	13.84	5201	14.03	5295	14.23	5528	14.42	5685	14.62	5868
30	8.06	4973	10.08	5142	11.63	5242	13.49	5284	13.67	5376	13.87	5600	14.06	5758	14.26	5951



## 4. CAPACITIES AND SELECTION DATA

Ducted  
18K

PERFORMANCE DATA (Heating Operation at Rated Frequency)																
AUD-18UX4SSCL5																
CAPACITY: 5.5kW INPUT: 1575 W																
INDOOR DB(°C)	OUTDOOR DB(°C)															
	-15		-10		-5		0		5		10		15		20	
	Q	INPUT	Q	INPUT	Q	INPUT	Q	INPUT	Q	INPUT	Q	INPUT	Q	INPUT	Q	INPUT
10	4.13	1302	4.84	1325	5.99	1356	6.05	1395	6.12	1428	6.19	1527	6.25	1575	6.33	1607
12	4.00	1327	4.71	1354	5.69	1385	5.92	1421	5.99	1453	6.06	1550	6.13	1598	6.20	1632
14	3.87	1353	4.59	1382	5.14	1414	5.80	1447	5.86	1479	5.93	1572	6.00	1621	6.07	1658
16	3.75	1378	4.46	1410	5.01	1442	5.67	1473	5.74	1505	5.81	1596	5.87	1643	5.95	1683
18	3.62	1404	4.33	1439	4.88	1470	5.45	1499	5.50	1530	5.68	1618	5.75	1666	5.82	1709
20	3.49	1429	4.21	1467	4.76	1499	5.42	1525	5.48	1556	5.65	1641	5.62	1689	5.69	1735
22	3.37	1455	4.08	1496	4.63	1527	5.29	1551	5.36	1581	5.43	1663	5.55	1711	5.57	1760
24	3.24	1481	3.95	1524	4.50	1556	5.16	1577	5.23	1607	5.30	1686	5.37	1734	5.44	1786
26	3.11	1506	3.83	1553	4.38	1584	5.04	1603	5.10	1632	5.18	1708	5.24	1757	5.31	1812
28	2.99	1532	3.70	1581	4.25	1613	4.91	1629	4.98	1658	5.05	1731	5.12	1780	5.19	1838
30	2.86	1557	3.58	1610	4.13	1641	4.79	1655	4.85	1683	4.92	1753	4.99	1803	5.06	1863

24K

PERFORMANCE DATA (Heating Operation at Rated Frequency)																
AUD-24UX4SJLL5																
CAPACITY: 8.0kW INPUT: 2300 W																
INDOOR DB(°C)	OUTDOOR DB(°C)															
	-15		-10		-5		0		5		10		15		20	
	Q	INPUT	Q	INPUT	Q	INPUT	Q	INPUT	Q	INPUT	Q	INPUT	Q	INPUT	Q	INPUT
10	6.00	1901	7.04	1935	8.71	1981	8.80	2037	8.90	2085	9.00	2231	9.10	2299	9.20	2346
12	5.82	1938	6.86	1977	8.28	2023	8.62	2075	8.71	2122	8.82	2263	8.91	2333	9.02	2384
14	5.63	1976	6.67	2018	7.47	2064	8.43	2113	8.53	2160	8.63	2296	8.73	2366	8.83	2422
16	5.45	2013	6.49	2059	7.29	2105	8.25	2151	8.34	2197	8.45	2330	8.54	2399	8.65	2458
18	5.26	2050	6.30	2101	7.10	2147	7.92	2189	8.00	2235	8.26	2363	8.36	2432	8.46	2496
20	5.08	2087	6.12	2143	6.92	2189	7.88	2227	7.98	2272	8.22	2396	8.18	2466	8.28	2533
22	4.90	2125	5.94	2184	6.74	2230	7.70	2265	7.79	2309	7.90	2429	8.07	2499	8.10	2571
24	4.71	2162	5.75	2226	6.55	2272	7.51	2303	7.61	2346	7.71	2462	7.81	2533	7.91	2608
26	4.53	2199	5.57	2268	6.37	2314	7.33	2340	7.42	2384	7.53	2495	7.62	2566	7.73	2646
28	4.34	2237	5.38	2309	6.18	2355	7.14	2378	7.24	2421	7.34	2528	7.44	2600	7.54	2683
30	4.16	2274	5.20	2351	6.00	2397	6.96	2416	7.06	2458	7.16	2561	7.26	2633	7.36	2721

36K

PERFORMANCE DATA (Heating Operation at Rated Frequency)																
AUD-36UX4SNEH5																
CAPACITY: 11.0kW INPUT: 3045 W																
INDOOR DB(°C)	OUTDOOR DB(°C)															
	-15		-10		-5		0		5		10		15		20	
	Q	INPUT	Q	INPUT	Q	INPUT	Q	INPUT	Q	INPUT	Q	INPUT	Q	INPUT	Q	INPUT
10	8.25	2517	9.68	2561	11.98	2622	12.10	2697	12.23	2761	12.38	2953	12.51	3044	12.65	3106
12	8.00	2566	9.43	2617	11.39	2678	11.85	2747	11.98	2810	12.12	2996	12.25	3089	12.40	3156
14	7.74	2616	9.17	2672	10.27	2733	11.59	2797	11.73	2859	11.87	3040	12.00	3133	12.14	3206
16	7.49	2665	8.92	2726	10.02	2787	11.34	2848	11.47	2909	11.62	3085	11.75	3176	11.89	3254
18	7.24	2714	8.67	2781	9.77	2842	10.89	2898	11.00	2958	11.36	3129	11.50	3220	11.64	3304
20	6.99	2764	8.42	2837	9.52	2897	10.84	2948	10.97	3008	11.31	3172	11.24	3264	11.39	3354
22	6.73	2813	8.16	2892	9.26	2953	10.58	2998	10.71	3057	10.86	3216	11.10	3309	11.13	3403
24	6.48	2862	7.91	2947	9.01	3008	10.33	3048	10.46	3106	10.60	3259	10.74	3353	10.88	3453
26	6.23	2912	7.66	3002	8.76	3063	10.08	3099	10.21	3156	10.35	3303	10.48	3397	10.63	3503
28	5.97	2961	7.40	3057	8.50	3118	9.82	3149	9.96	3205	10.10	3347	10.23	3442	10.37	3553
30	5.72	3010	7.15	3113	8.25	3173	9.57	3199	9.70	3255	9.85	3390	9.98	3486	10.12	3602

## 4. CAPACITIES AND SELECTION DATA

48K

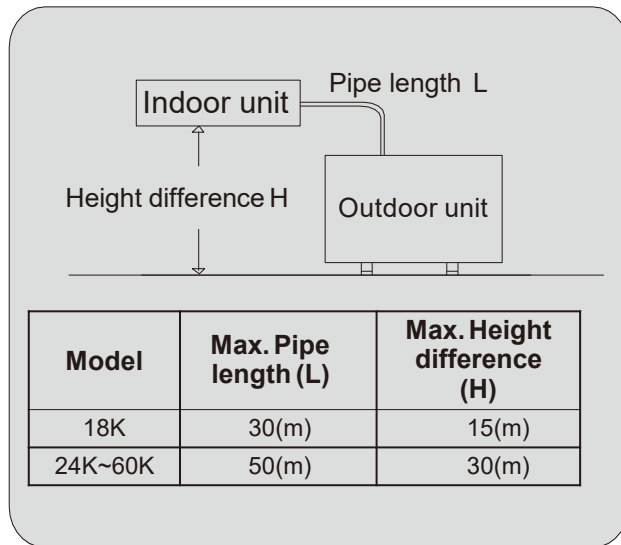
PERFORMANCE DATA (Heating Operation at Rated Frequency)																
AUD-48UX6SNEH5																
CAPACITY: 15.5kW    INPUT: 4725 W																
INDOOR DB(°C)	OUTDOOR DB(°C)															
	-15		-10		-5		0		5		10		15		20	
	Q	INPUT	Q	INPUT	Q	INPUT	Q	INPUT	Q	INPUT	Q	INPUT	Q	INPUT	Q	INPUT
10	11.63	3906	13.64	3975	16.88	4069	17.05	4185	17.24	4284	17.44	4582	17.62	4724	17.83	4820
12	11.27	3982	13.28	4061	16.04	4155	16.69	4262	16.88	4360	17.08	4649	17.27	4793	17.47	4897
14	10.91	4059	12.93	4147	14.48	4241	16.34	4340	16.52	4437	16.72	4716	16.91	4862	17.11	4975
16	10.56	4135	12.57	4230	14.12	4325	15.98	4419	16.17	4514	16.37	4787	16.55	4928	16.76	5050
18	10.20	4212	12.21	4316	13.76	4410	15.35	4497	15.50	4591	16.01	4855	16.20	4997	16.40	5127
20	9.84	4288	11.86	4402	13.41	4496	15.27	4575	15.45	4667	15.93	4923	15.84	5066	16.04	5204
22	9.49	4365	11.50	4487	13.05	4582	14.91	4653	15.10	4744	15.30	4990	15.64	5134	15.69	5281
24	9.13	4442	11.14	4573	12.69	4667	14.55	4730	14.74	4820	14.94	5058	15.13	5203	15.33	5358
26	8.77	4518	10.79	4659	12.34	4753	14.20	4808	14.38	4897	14.59	5125	14.77	5272	14.97	5435
28	8.42	4595	10.43	4744	11.98	4839	13.84	4886	14.03	4974	14.23	5193	14.42	5340	14.62	5513
30	8.06	4671	10.08	4830	11.63	4924	13.49	4964	13.67	5050	13.87	5260	14.06	5409	14.26	5590

60K

PERFORMANCE DATA (Heating Operation at Rated Frequency)																
AUD-60UX6SNEH5																
CAPACITY: 15.5kW    INPUT: 5345 W																
INDOOR DB(°C)	OUTDOOR DB(°C)															
	-15		-10		-5		0		5		10		15		20	
	Q	INPUT	Q	INPUT	Q	INPUT	Q	INPUT	Q	INPUT	Q	INPUT	Q	INPUT	Q	INPUT
10	11.63	4418	13.64	4496	16.88	4603	17.05	4734	17.24	4846	17.44	5184	17.62	5343	17.83	5452
12	11.27	4505	13.28	4593	16.04	4700	16.69	4822	16.88	4932	17.08	5259	17.27	5421	17.47	5540
14	10.91	4591	12.93	4691	14.48	4798	16.34	4909	16.52	5019	16.72	5335	16.91	5499	17.11	5628
16	10.56	4678	12.57	4785	14.12	4892	15.98	4999	16.17	5106	16.37	5416	16.55	5575	16.76	5712
18	10.20	4765	12.21	4882	13.76	4989	15.35	5087	15.50	5193	16.01	5492	16.20	5653	16.40	5800
20	9.84	4851	11.86	4979	13.41	5086	15.27	5175	15.45	5280	15.93	5569	15.84	5730	16.04	5887
22	9.49	4938	11.50	5076	13.05	5183	14.91	5263	15.10	5366	15.30	5645	15.64	5808	15.69	5974
24	9.13	5024	11.14	5173	12.69	5280	14.55	5351	14.74	5453	14.94	5721	15.13	5886	15.33	6061
26	8.77	5111	10.79	5270	12.34	5377	14.20	5439	14.38	5540	14.59	5798	14.77	5963	14.97	6149
28	8.42	5197	10.43	5367	11.98	5474	13.84	5527	14.03	5626	14.23	5874	14.42	6041	14.62	6236
30	8.06	5284	10.08	5464	11.63	5571	13.49	5615	13.67	5713	13.87	5951	14.06	6119	14.26	6323

## 4. CAPACITIES AND SELECTION

### 4.2 Piping length correction factor



The correction factor is based on the equivalent piping length in meters (EL) and the height difference between outdoor and indoor units in meters (H).

H:

Height difference between indoor unit and outdoor unit (m).

- $H > 0$ : Position of outdoor unit is higher than that of indoor unit (m).
- $H < 0$ : Position of outdoor unit is lower than that of indoor unit (m).

L:

Actual one-way piping length between indoor unit and outdoor unit (m).

EL:

Equivalent one-way piping length between indoor unit and outdoor unit (m).

Gas Diameter (mm/inch)	9.52 (3/8')	12.7 (1/2')	15.88 (5/8')	19.05 (3/4')
90° Elbow	0.15	0.2	0.25	0.35

### Cooling

EL Model	5m	10m	15m	20m	25m	30m	35m	40m	45m	50m
18K	1.0	0.97	0.94	0.92	0.89	0.86	--	--	--	--
24K	1.0	0.99	0.98	0.97	0.96	0.95	0.94	0.93	0.92	0.92
36K	1.0	0.95	0.93	0.90	0.88	0.85	0.83	0.80	0.78	0.75
48K/60K	1.0	0.98	0.96	0.94	0.92	0.89	0.86	0.83	0.79	0.75

## 4. CAPACITIES AND SELECTION

### Heating

EL Model	5m	10m	15m	20m	25m	30m	35m	40m	45m	50m
18K	1.0	0.98	0.97	0.95	0.93	0.92	--	--	--	--
24K	1.0	0.99	0.98	0.97	0.95	0.94	0.93	0.92	0.92	0.91
36K	1.0	0.94	0.91	0.88	0.85	0.82	0.79	0.76	0.73	0.70
48K/60K	1.0	0.99	0.98	0.97	0.95	0.93	0.90	0.87	0.84	0.80

The correction factor of height between indoor unit and outdoor unit

Height difference	5m	10m	30m
Factor	0.01	0.02	0.025

To ensure correct unit selection, consider the farthest indoor unit.

#### NOTE:

1. The above data is given assuming that the height difference between indoor unit and outdoor unit is 0m.
2. Be sure to minimize the length of connection pipes to optimize the performance. If the outdoor unit is installed higher or lower than the indoor unit, it is necessary to apply height correction factor additionally to length correction factor to calculate cooling/heating. If outdoor unit is higher, correction should be applied to cooling capacity, if outdoor unit is lower, correction should be applied to heating capacity.

## 4. CAPACITIES AND SELECTION

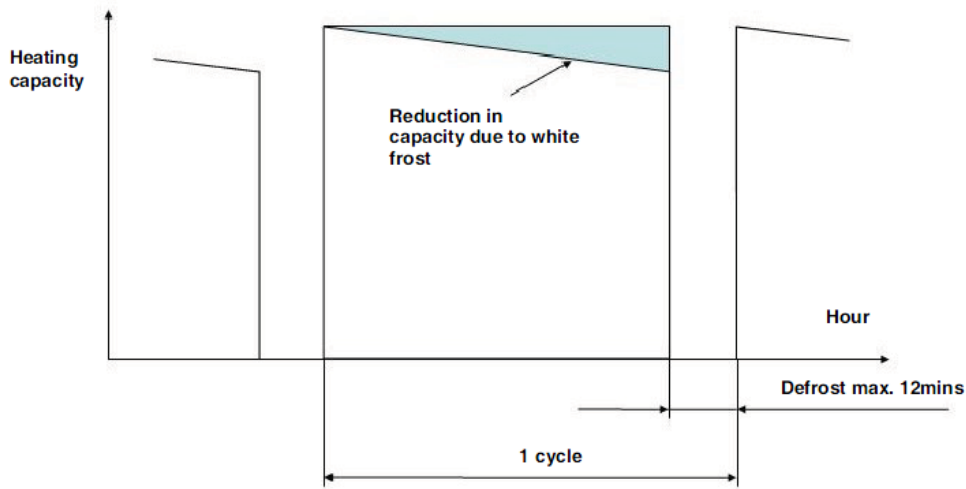
### 4.3 Correction factors according to defrosting operation

The heating capacity in the previous paragraph is given without consideration of the condition of defrosting operation period. In consideration of defrosting operation, the heating capacity is corrected with the equation below.

Corrected heating capacity = Defrost Correction factor x unit capacity

OUTDOOR TEMPERATURE (°CDB)	-15	-10	-5	0	7	10	15
Correction factor (humidity rate 85% RH)	0.95	0.95	0.91	0.81	1.0	1.0	1.0

Correction Factor



**NOTE:**

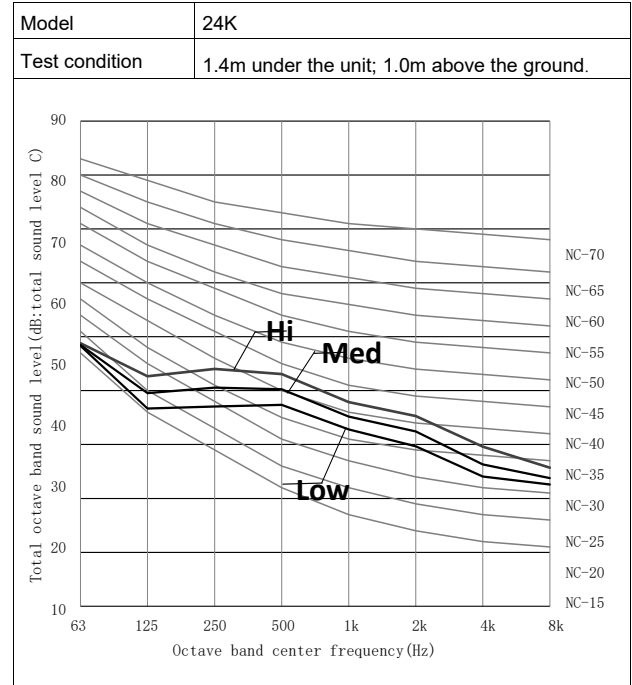
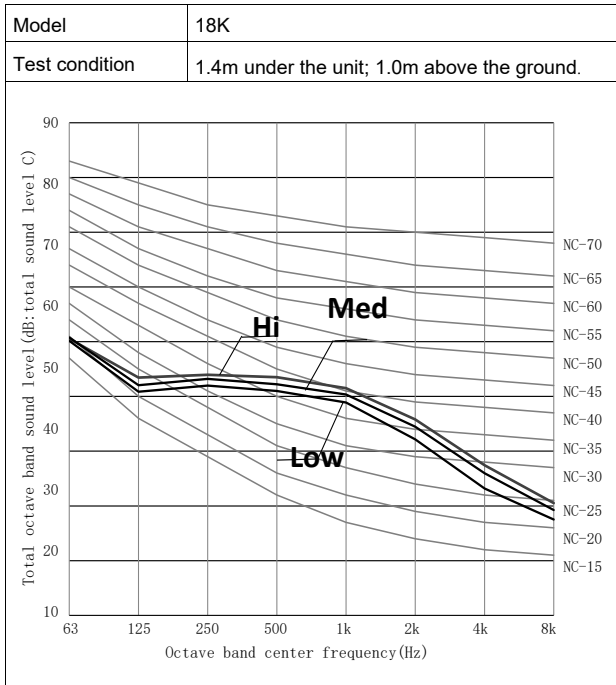
The correction factor is not valid for special conditions such as snowfall or operation in a transitional period.

## 5. SOUND PRESSURE DATA

### 5. Sound pressure data

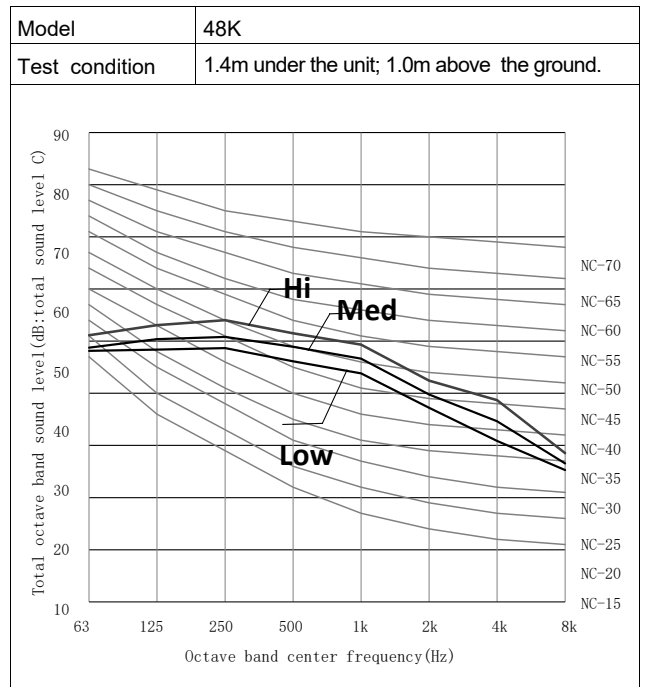
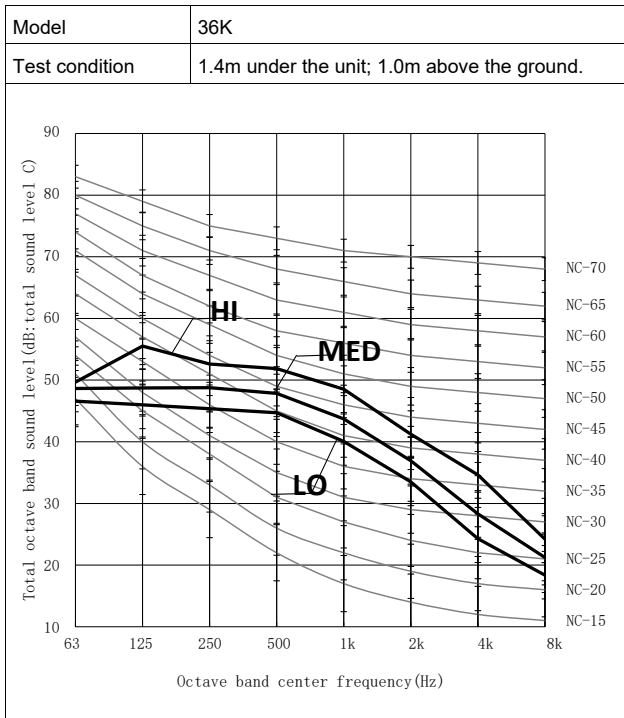
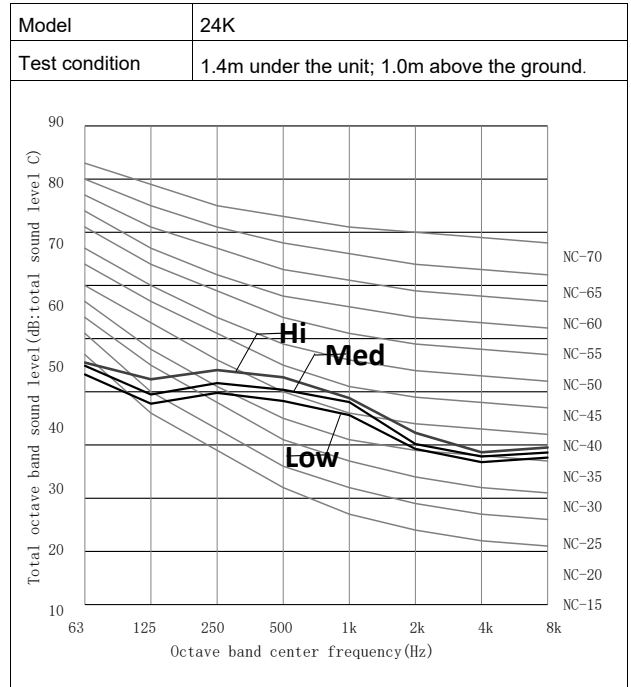
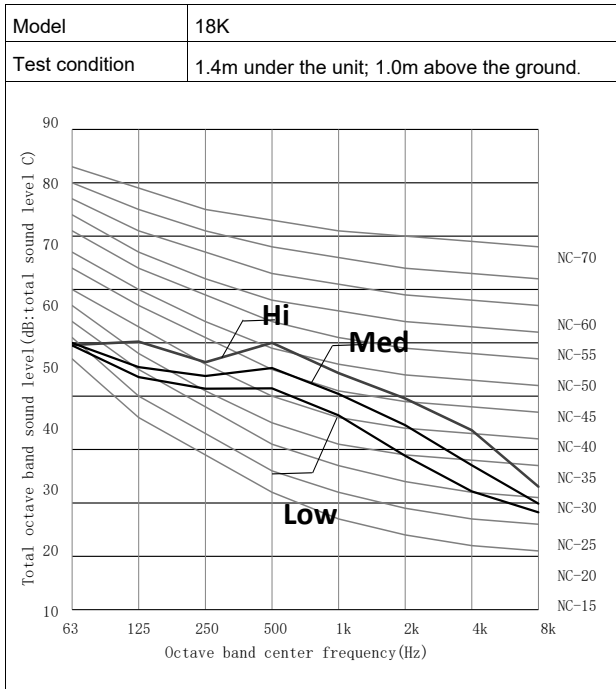
Indoor unit

Duct

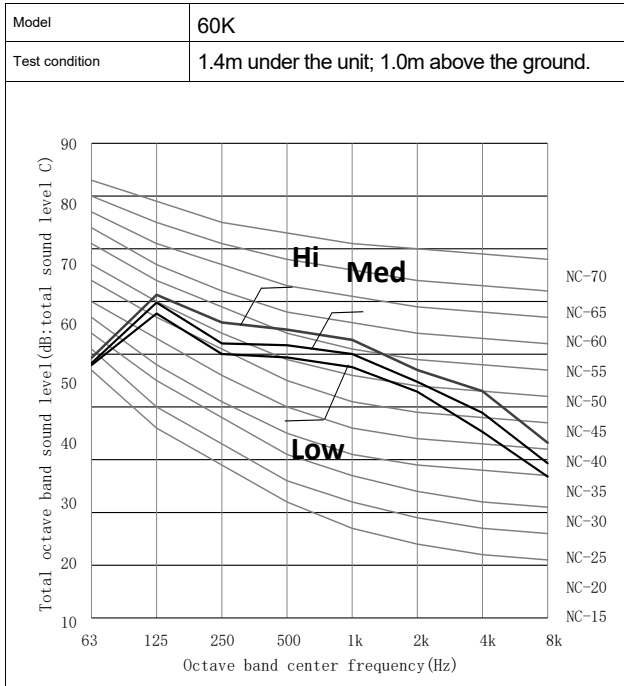


# 5. SOUND PRESSURE DATA

## Cassette



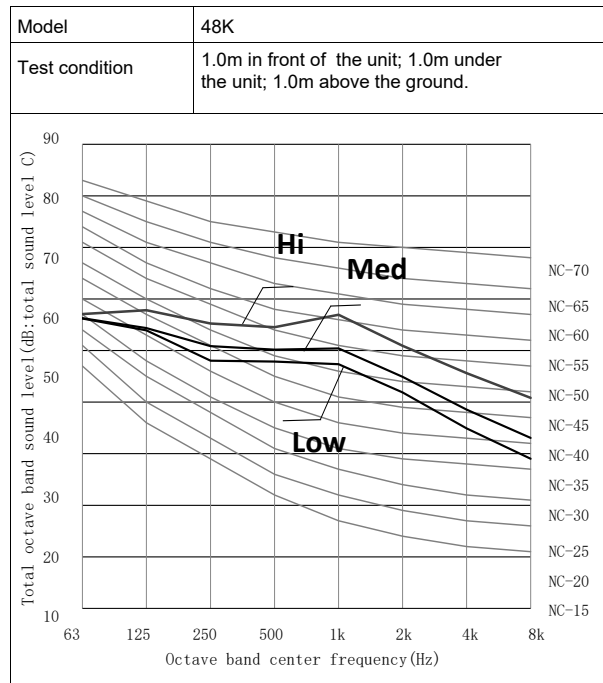
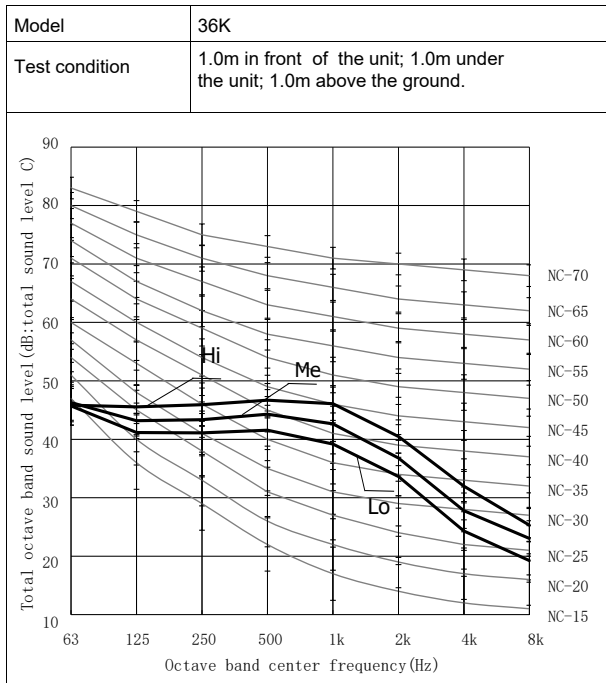
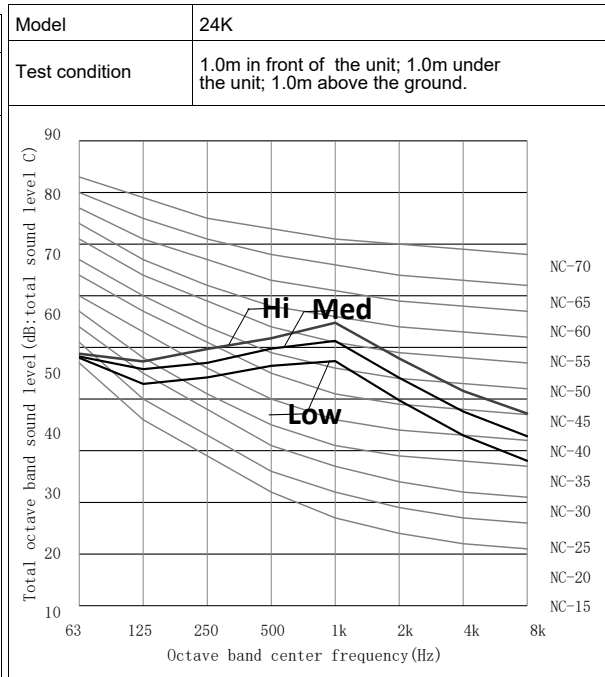
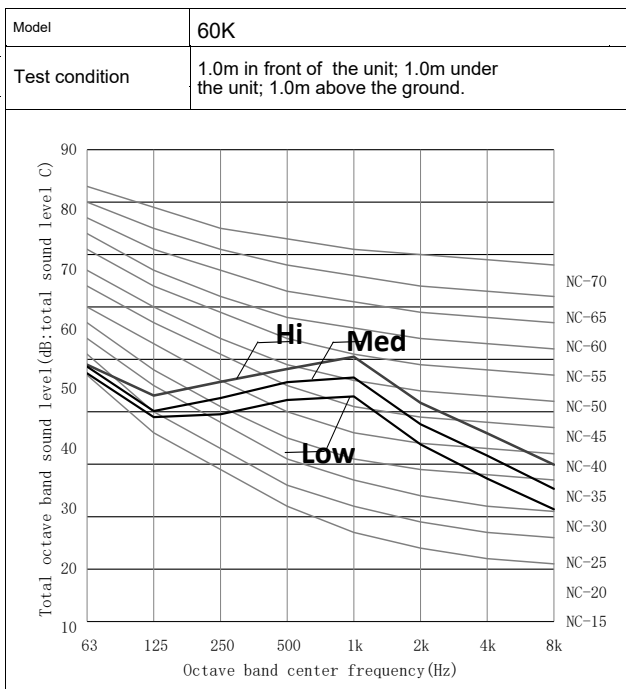
# 5. SOUND PRESSURE DATA



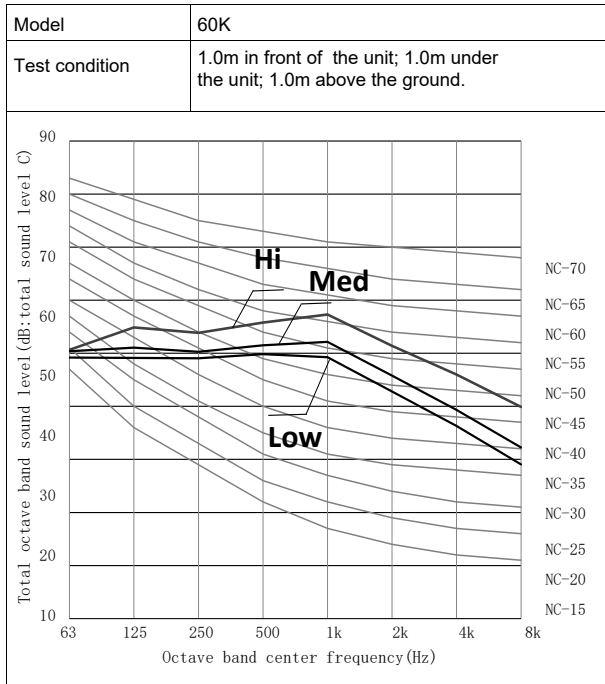


# 5. SOUND PRESSURE DATA

## Ceiling & Floor

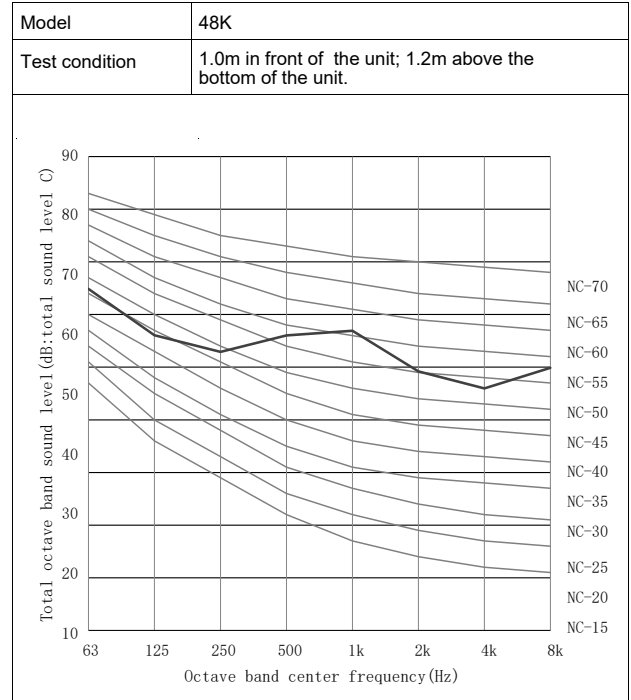
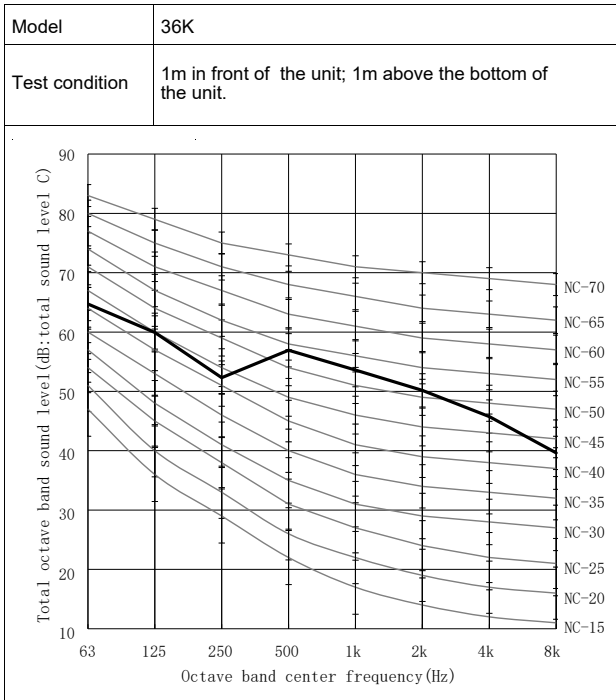
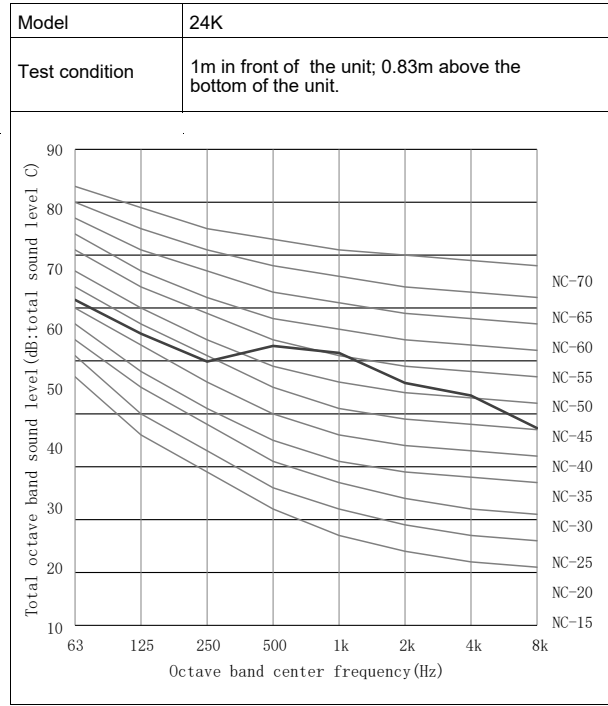
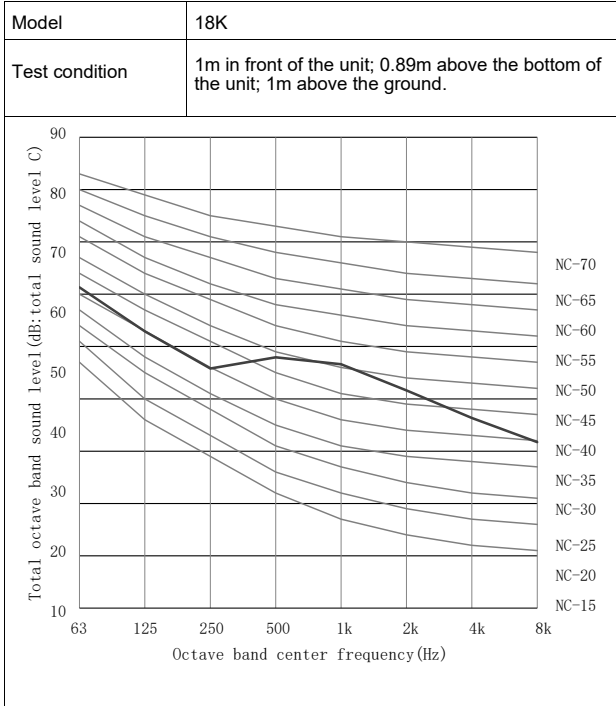


## 5. SOUND PRESSURE DATA

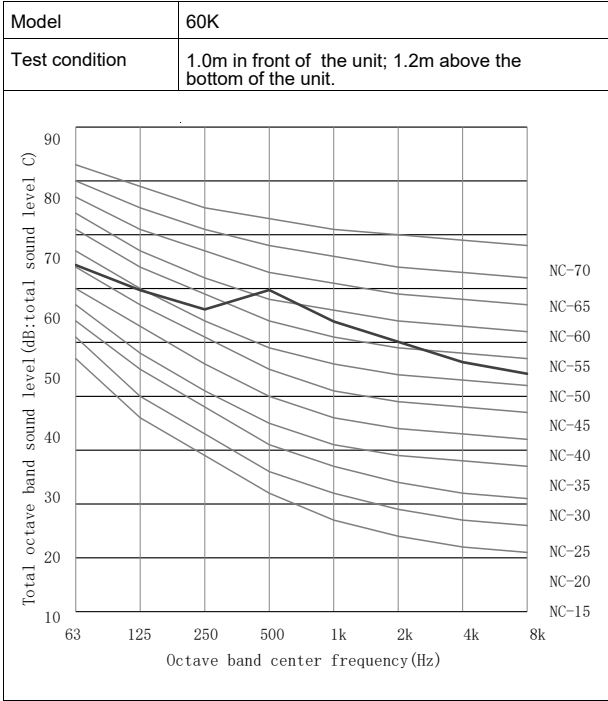


# 5. SOUND PRESSURE DATA

## Outdoor unit



# 5. SOUND PRESSURE DATA

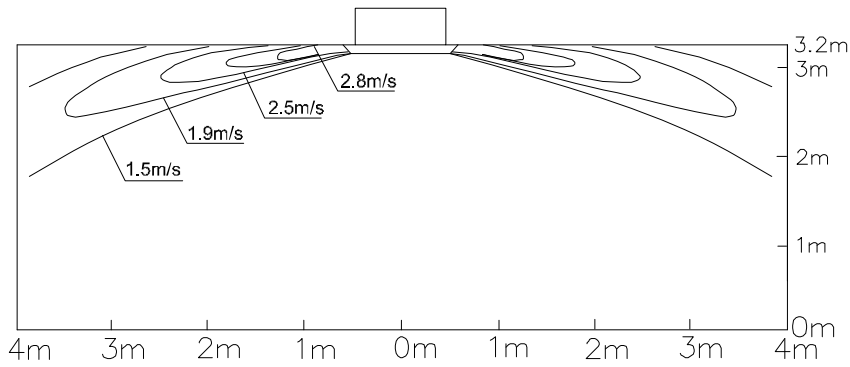


# 6. AIR FLOW DISTRIBUTION

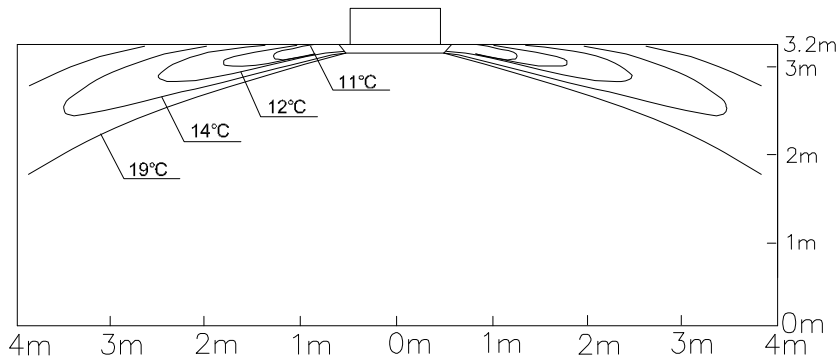
## 6. AIR FLOW DISTRIBUTION

18K

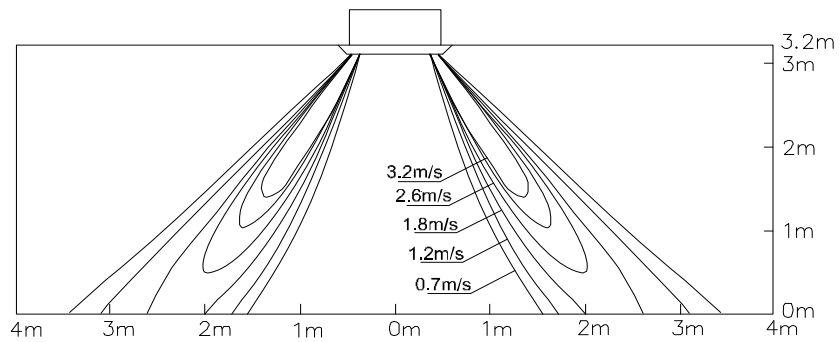
### 1) Cooling/Air Velocity Distribution



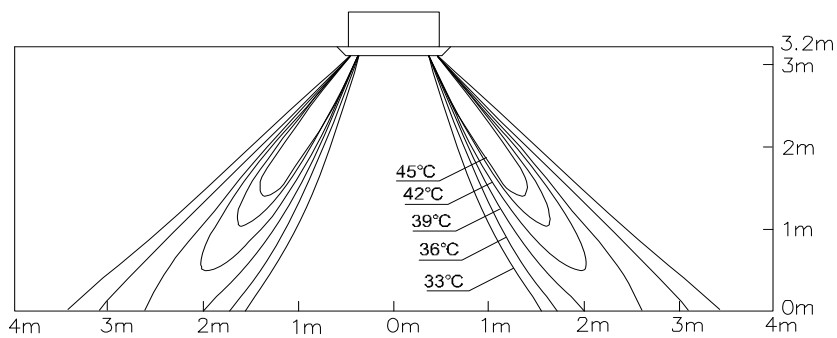
### 2) Cooling/Air Temperature Distribution



### 3) Heating/Air Velocity Distribution



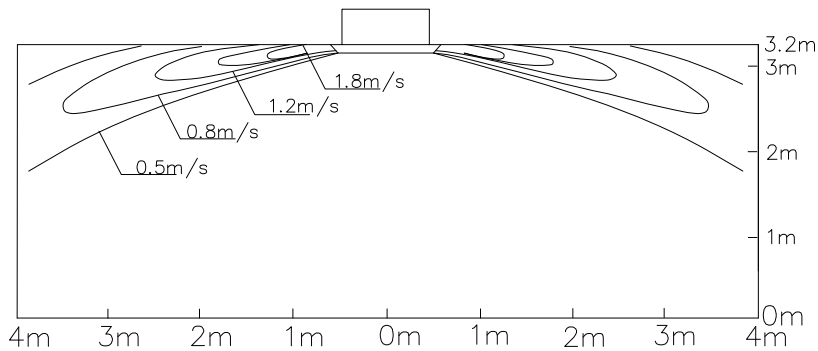
### 4) Heating/Air Temperature Distribution



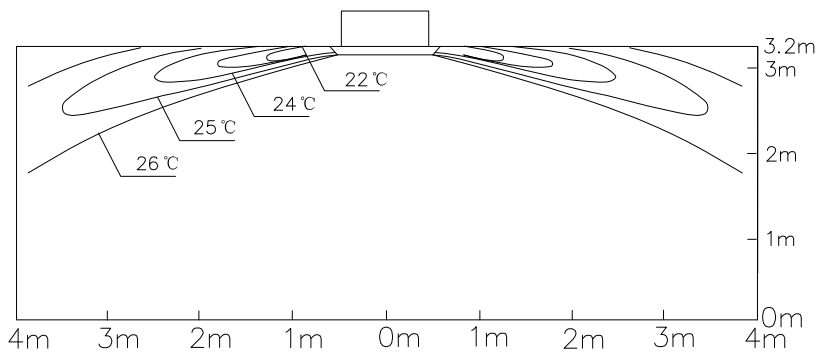
## 6. AIR FLOW DISTRIBUTION

24K

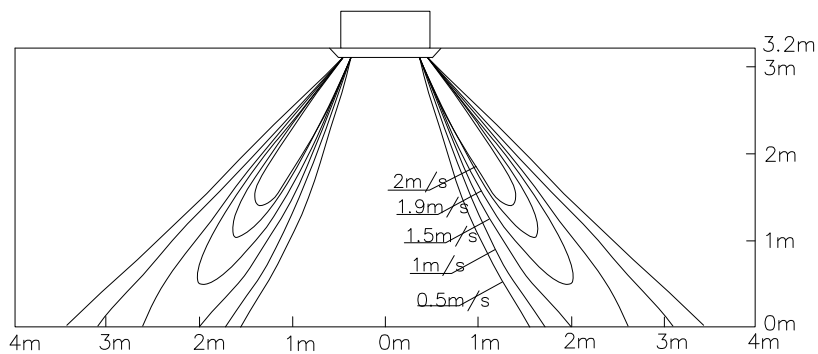
### 1) Cooling/Air Velocity Distribution



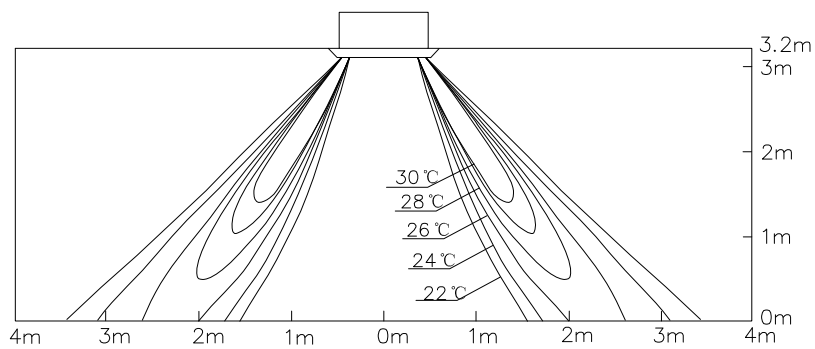
### 2) Cooling/Air Temperature Distribution



### 3) Heating/Air Velocity Distribution



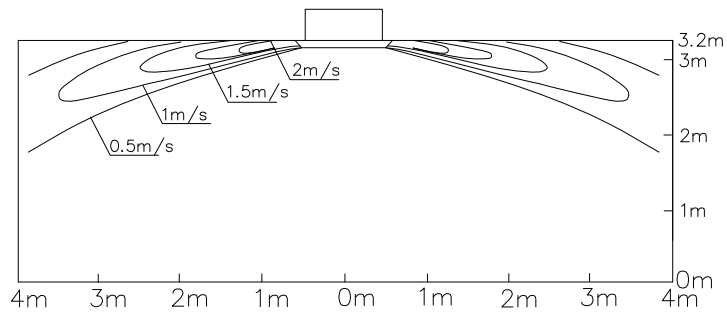
### 4) Heating/Air Temperature Distribution



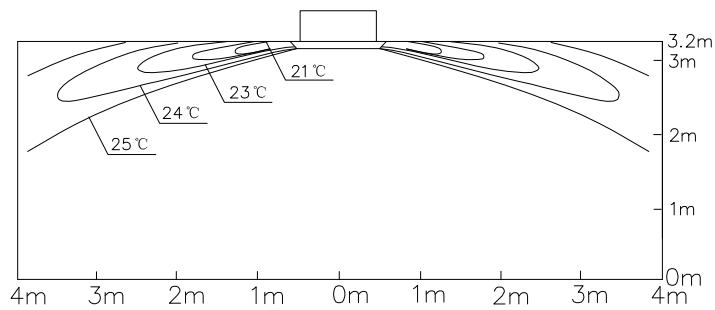
## 6. AIR FLOW DISTRIBUTION

36K

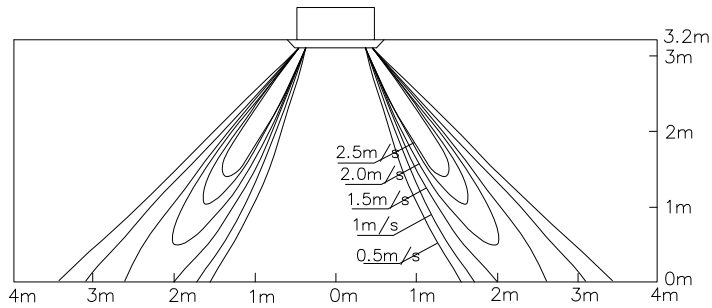
### 1) Cooling/Air Velocity Distribution



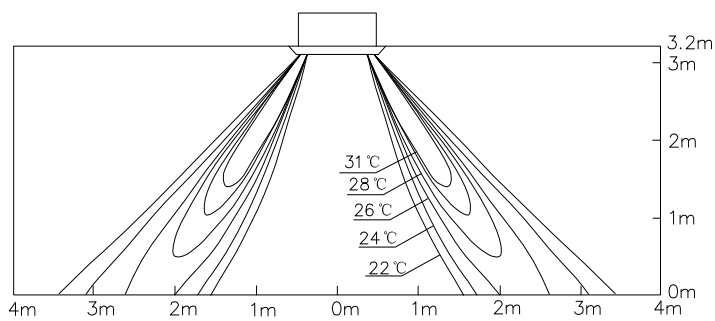
### 2) Cooling/Air Temperature Distribution



### 3) Heating/Air Velocity Distribution



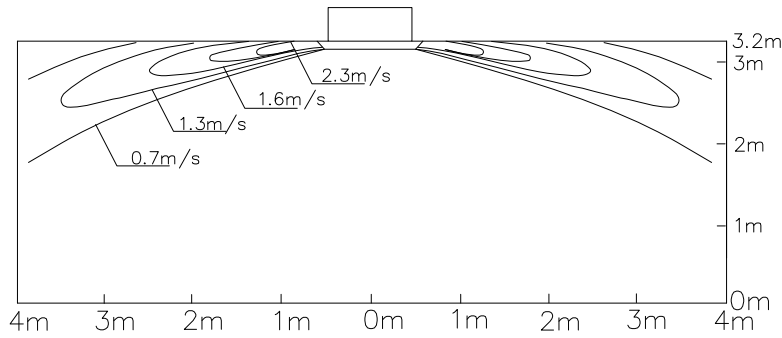
### 4) Heating/Air Temperature Distribution



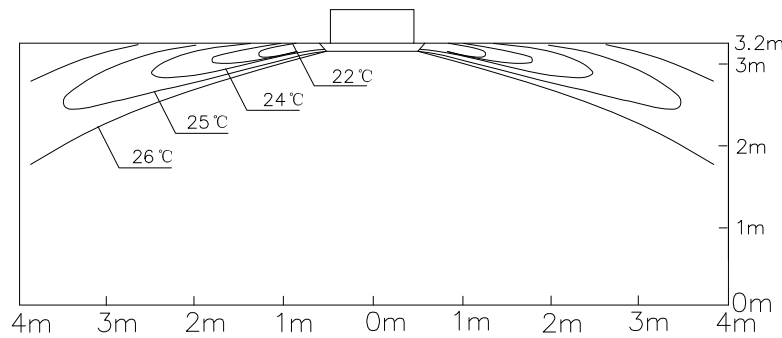
# 6. AIR FLOW DISTRIBUTION

48K

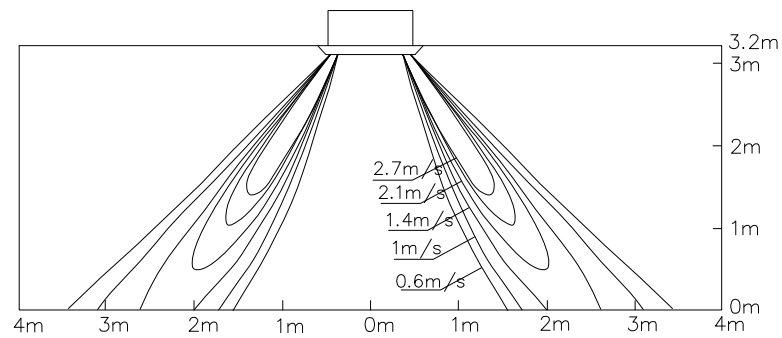
## 1) Cooling/Air Velocity Distribution



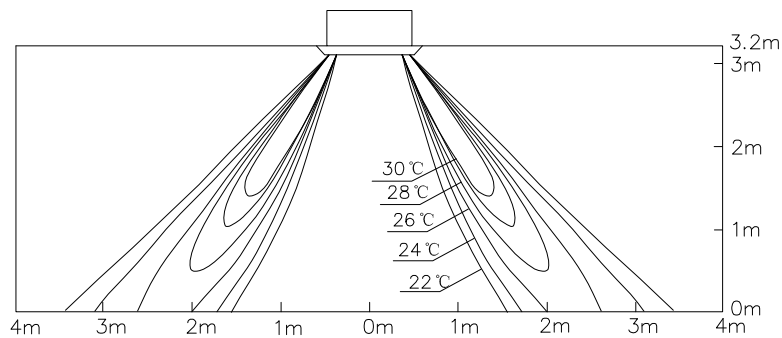
## 2) Cooling/Air Temperature Distribution



## 3) Heating/Air Velocity Distribution



## 4) Heating/Air Temperature Distribution

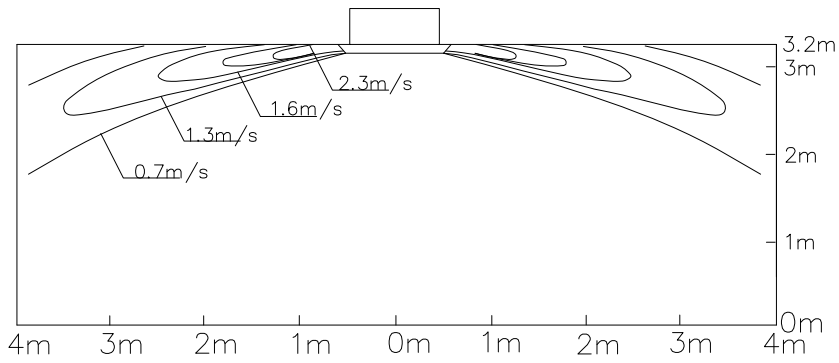




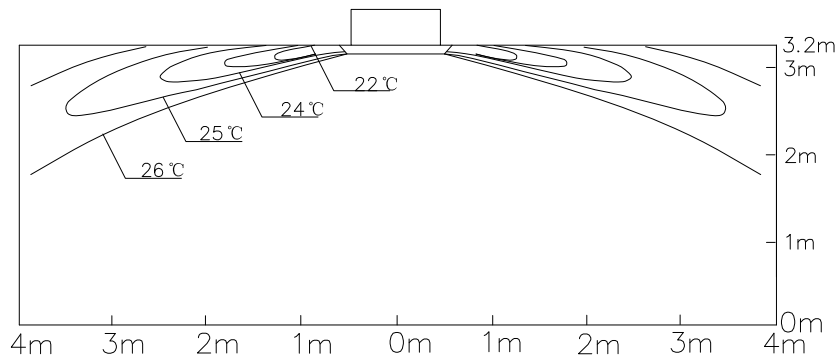
## 6. AIR FLOW DISTRIBUTION

60K

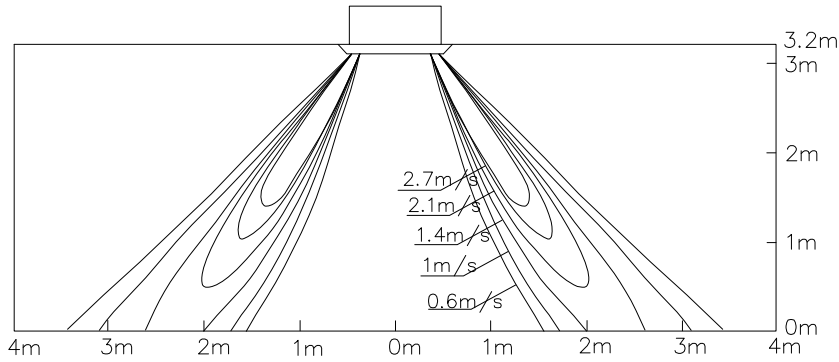
### 1) Cooling/Air Velocity Distribution



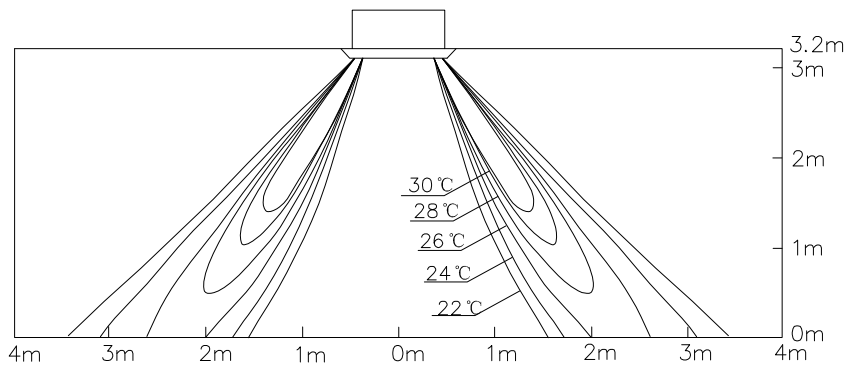
### 2) Cooling/Air Temperature Distribution



### 3) Heating/Air Velocity Distribution (Blow angle: XX)



### 4) Heating/Air Temperature Distribution

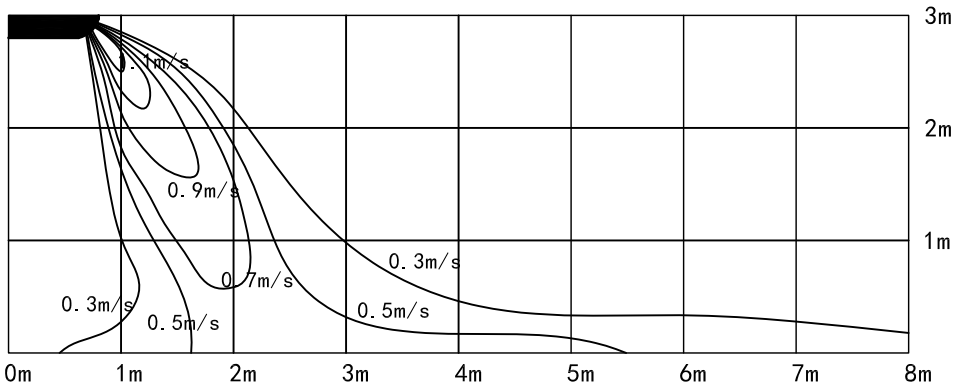


## 6. AIR FLOW DISTRIBUTION

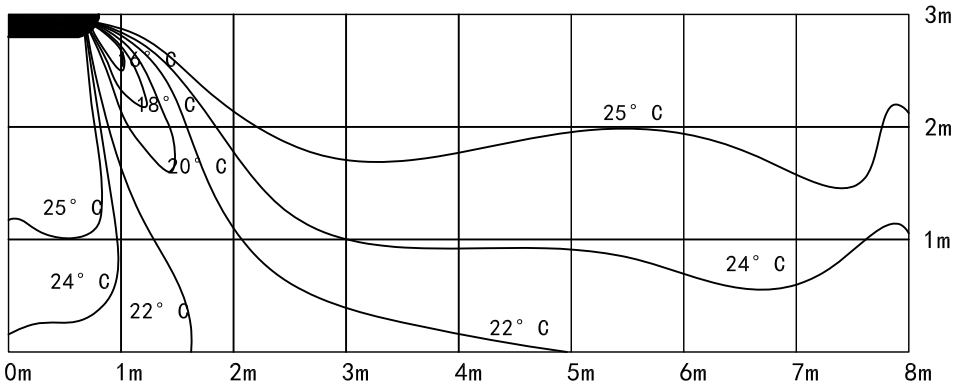
### 6.2 Ceiling & Floor type

18K

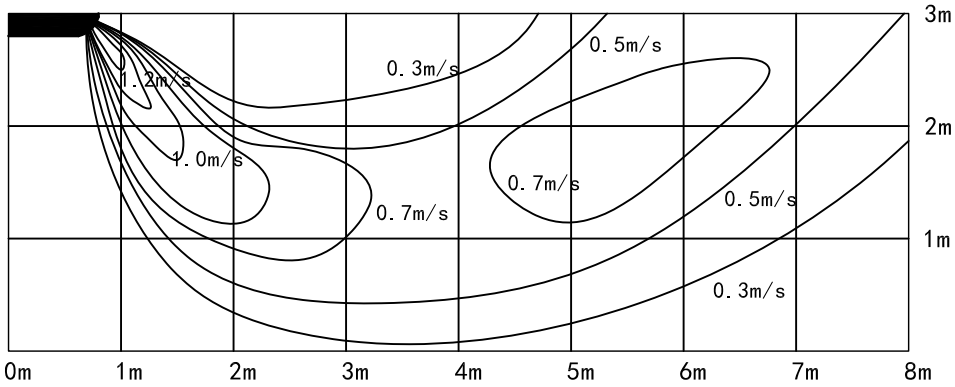
#### 1) Ceiling installation/Cooling/Air Velocity Distribution



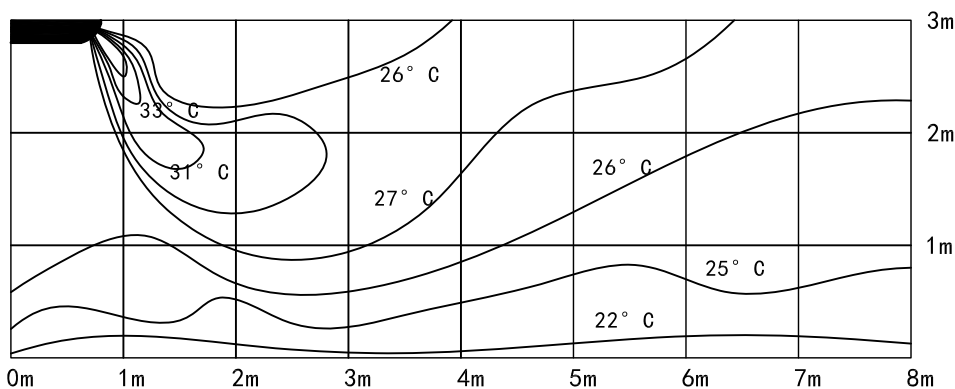
#### 2) Ceiling installation/Cooling/Air Temperature Distribution



#### 3) Ceiling installation/Heating/Air Velocity Distribution

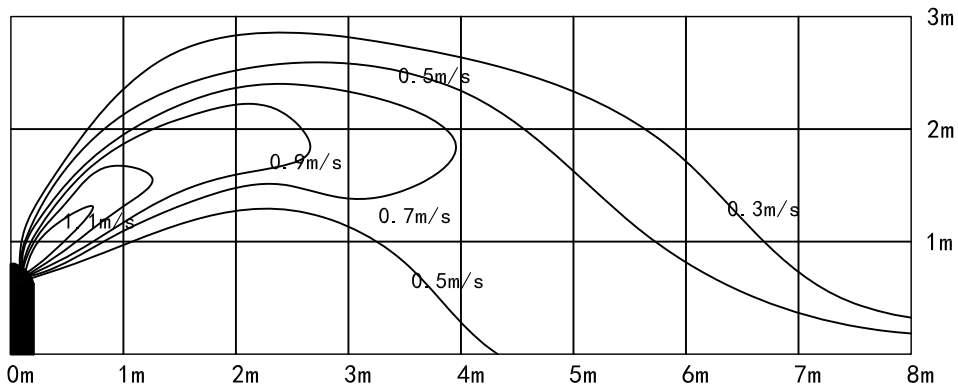


#### 4) Heating/Air Temperature Distribution

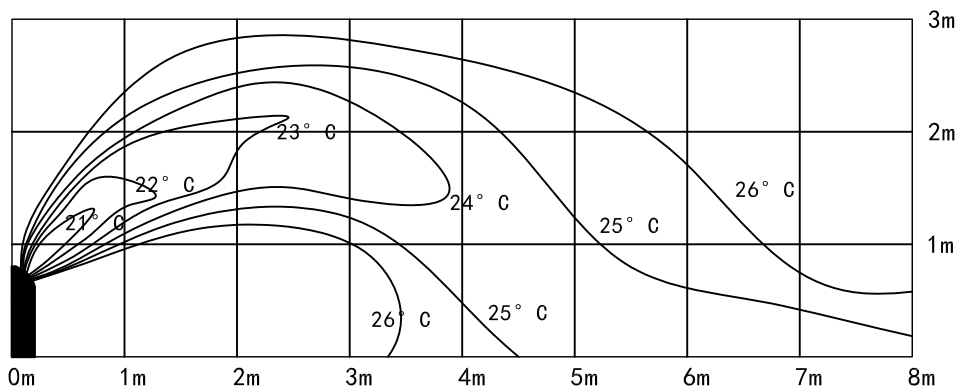


## 6. AIR FLOW DISTRIBUTION

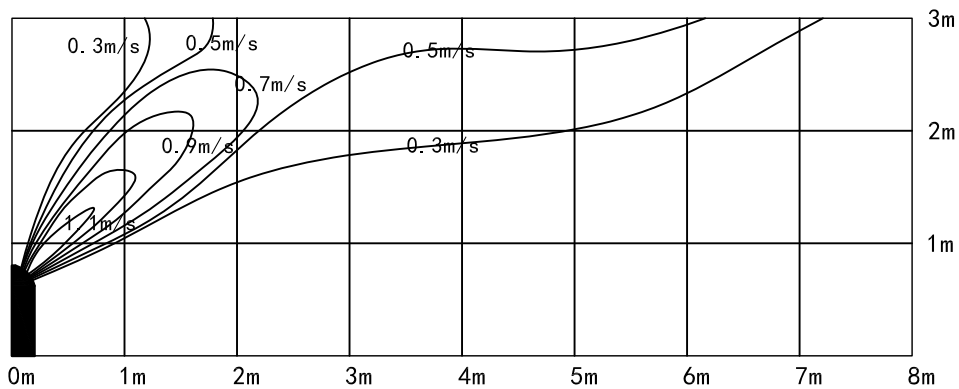
### 5) Floor installation/Cooling/Air Velocity Distribution



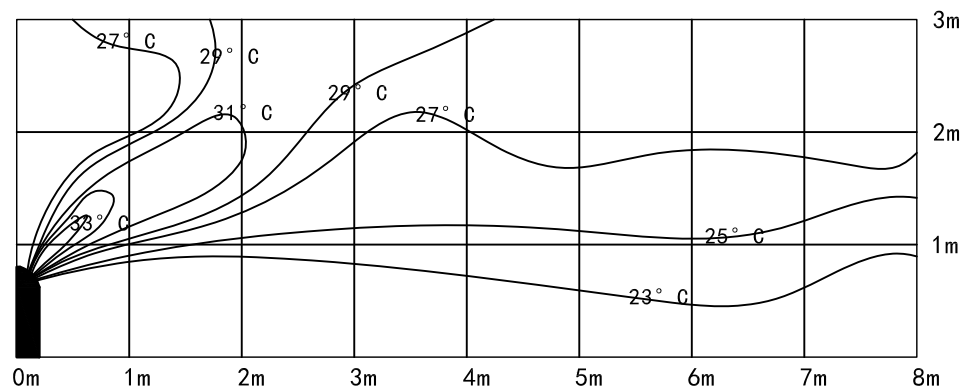
### 6) Floor installation/Cooling/Air Temperature Distribution



### 7) Floor installation/Heating/Air Velocity Distribution



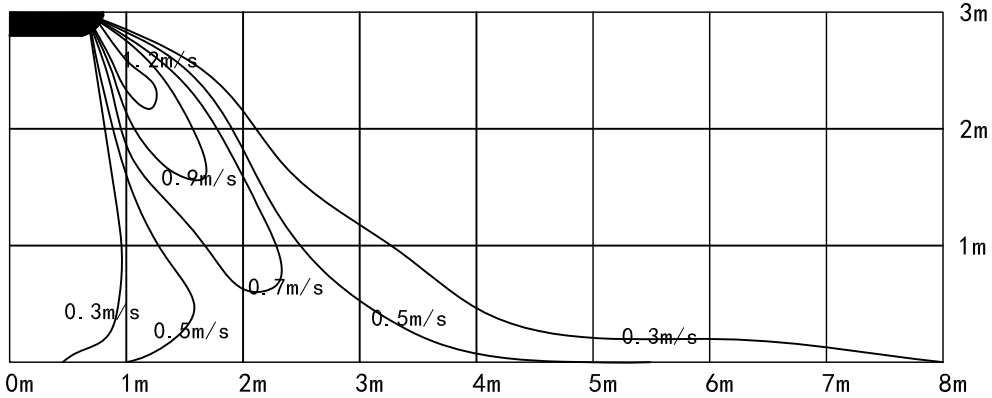
### 8) Floor installation/Heating/Air Temperature Distribution



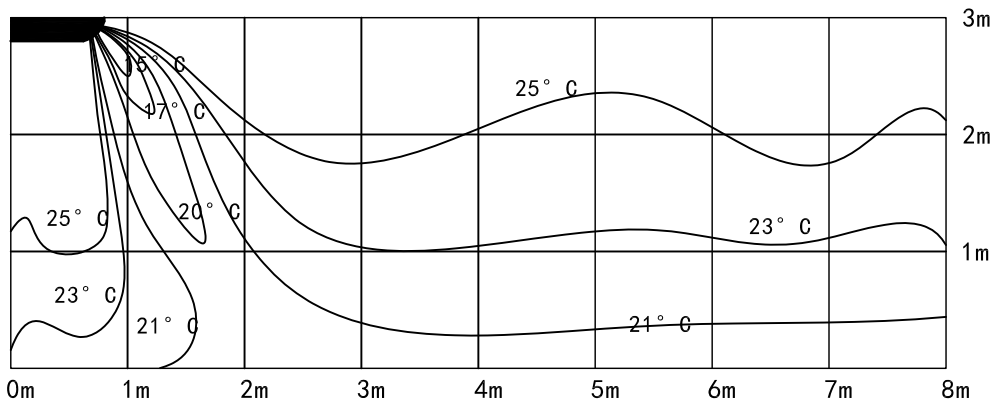
# 6 AIR FLOW DISTRIBUTION

24K

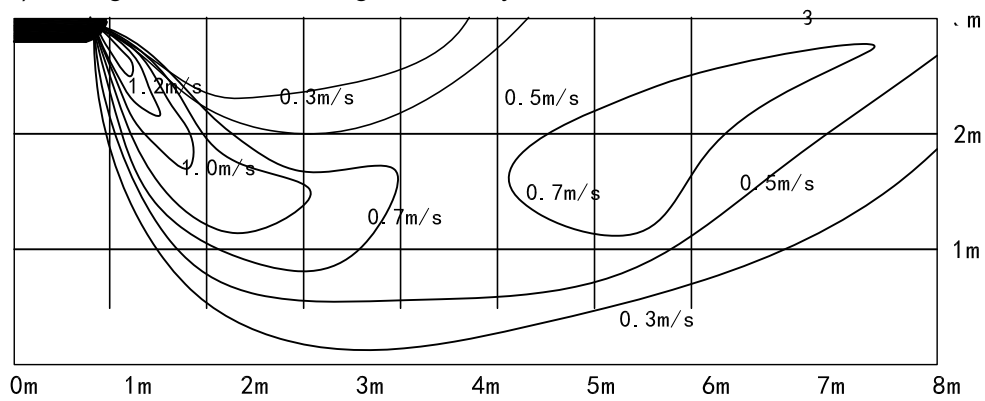
1) Ceiling installation/Cooling/Air Velocity Distribution



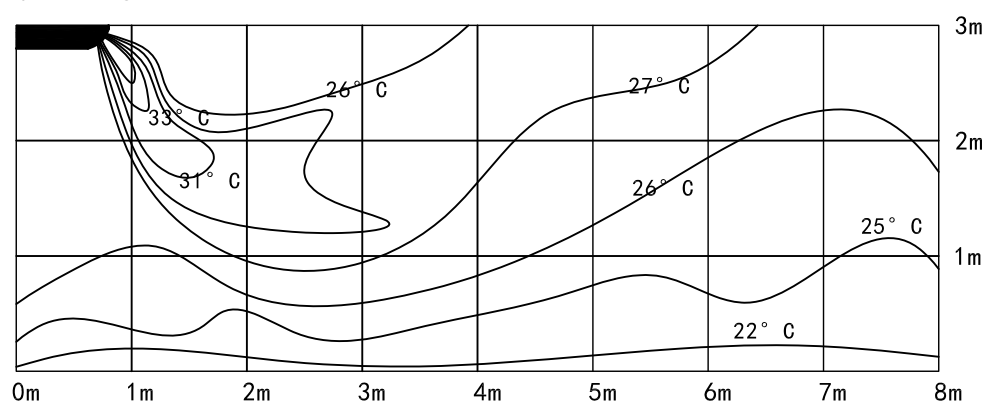
2) Ceiling installation/Cooling/Air Temperature Distribution



3) Ceiling installation/Heating/Air Velocity Distribution

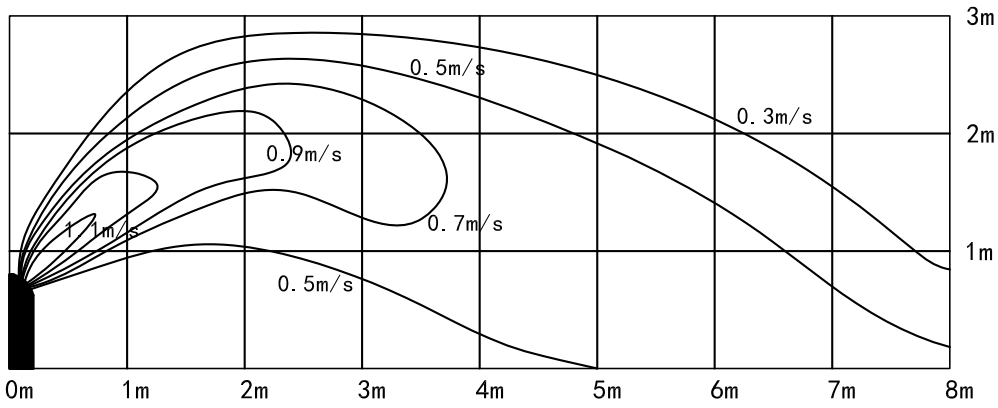


4) Heating/Air Temperature Distribution

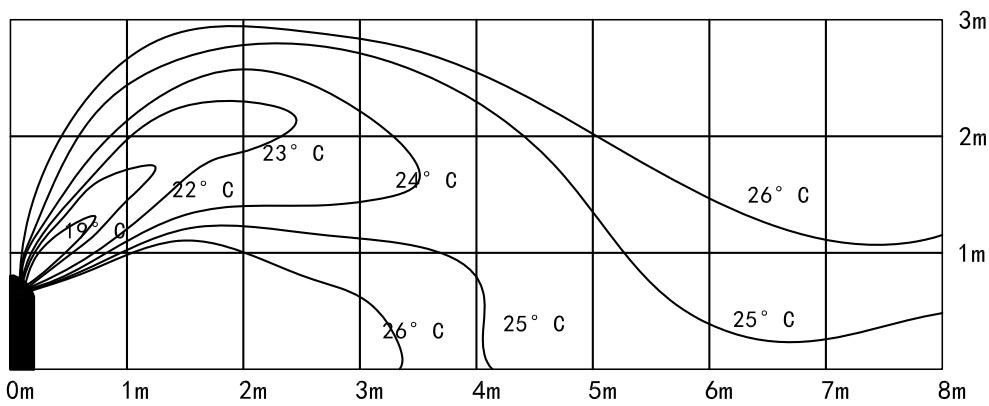


## 6. AIR FLOW DISTRIBUTION

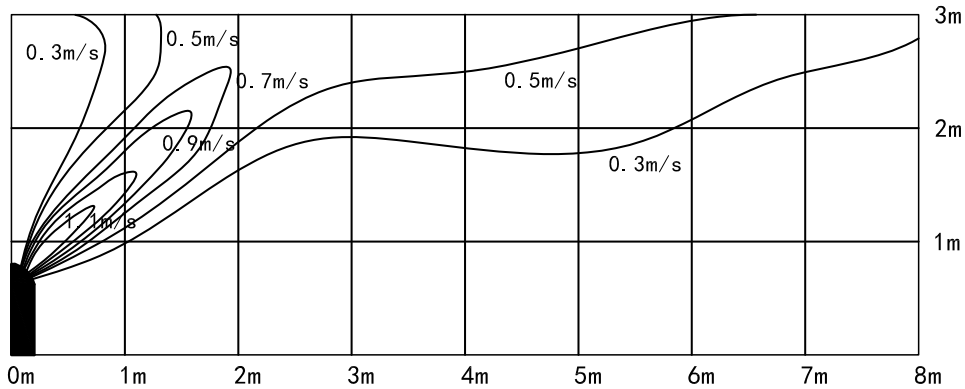
5) Floor installation/Cooling/Air Velocity Distribution



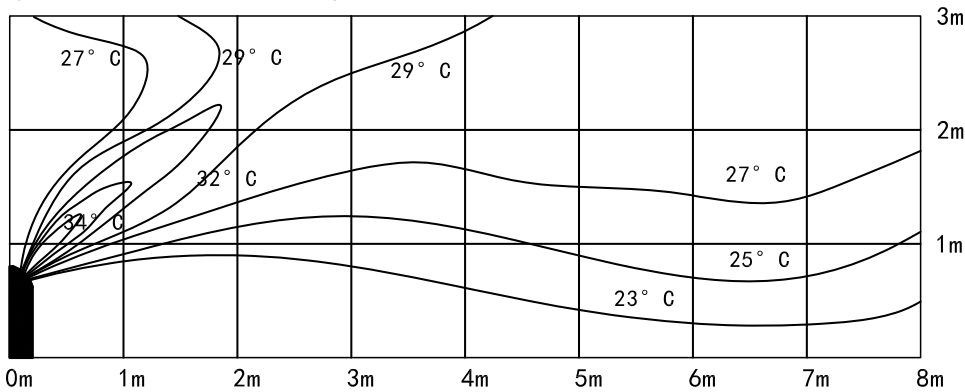
6) Floor installation/Cooling/Air Temperature Distribution



7) Floor installation/Heating/Air Velocity Distribution



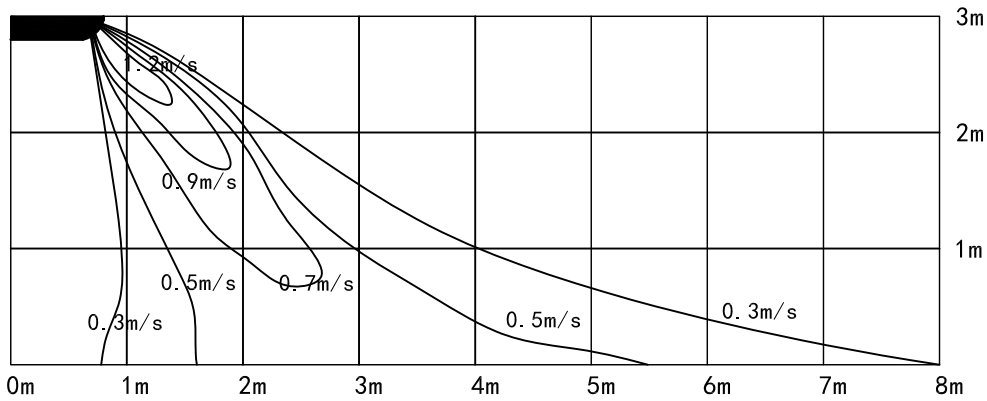
8) Floor installation/Heating/Air Temperature Distribution



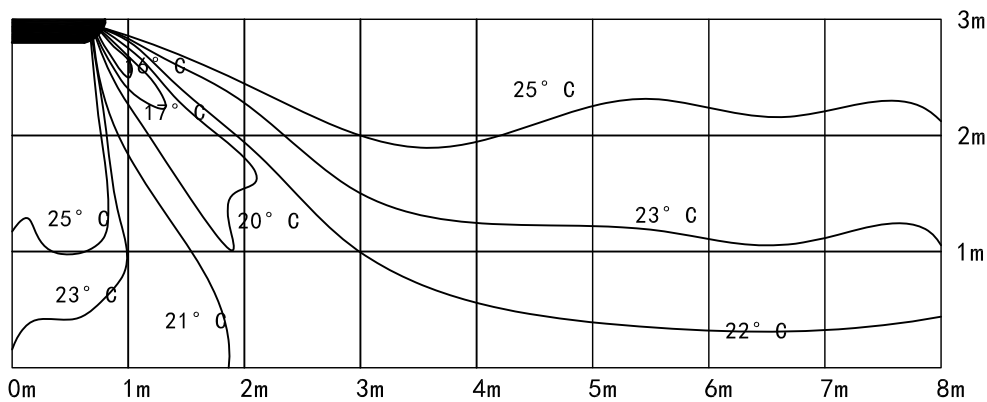
## 6. AIR FLOW DISTRIBUTION

36K

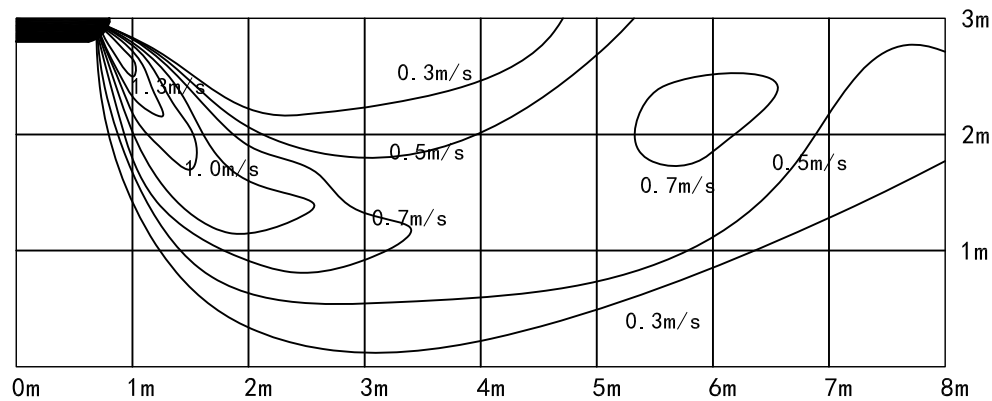
### 1) Ceiling installation/Cooling/Air Velocity Distribution



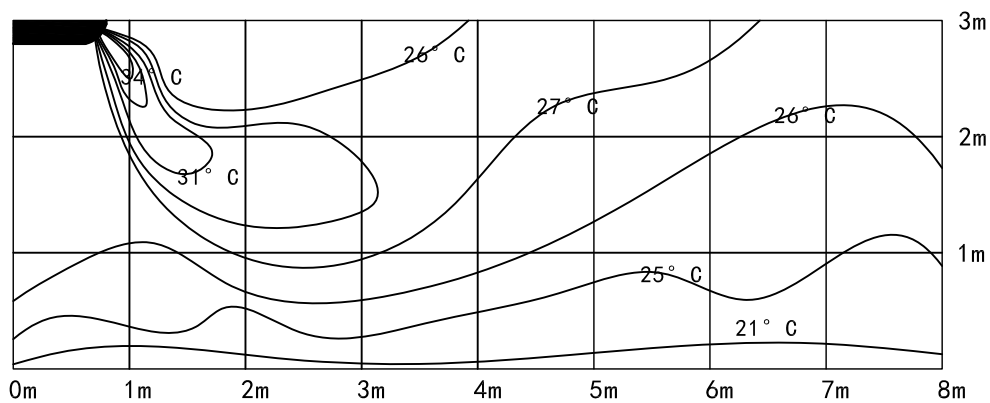
### 2) Ceiling installation/Cooling/Air Temperature Distribution



### 3) Ceiling installation/Heating/Air Velocity Distribution

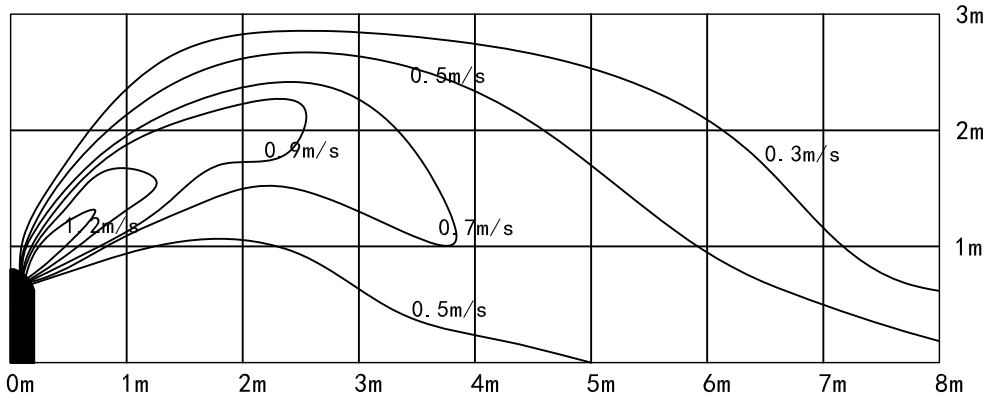


### 4) Ceiling installation/Heating/Air Temperature Distribution

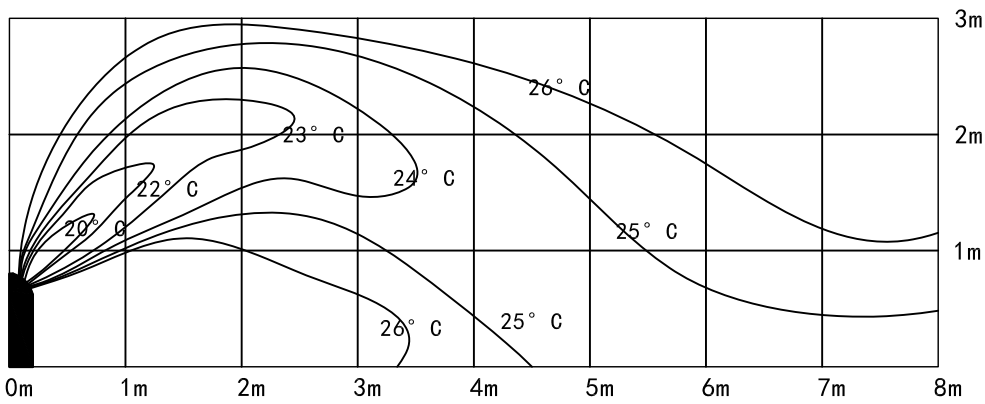


## 6. AIR FLOW DISTRIBUTION

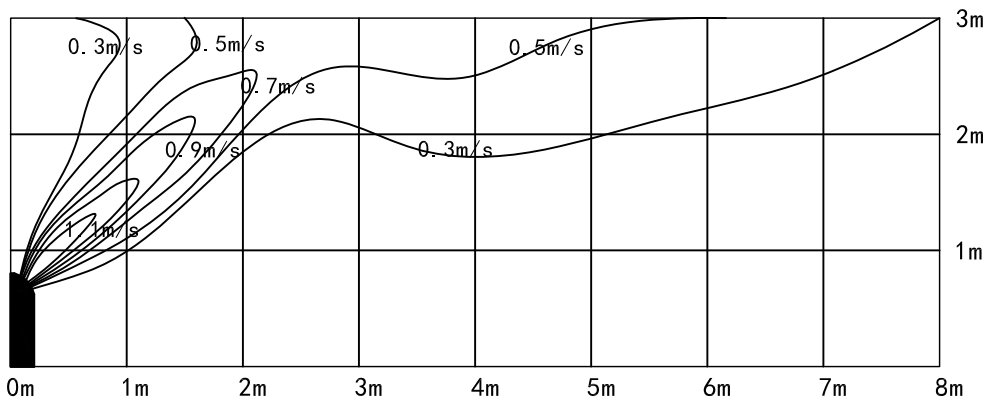
5) Floor installation/Cooling/Air Velocity Distribution



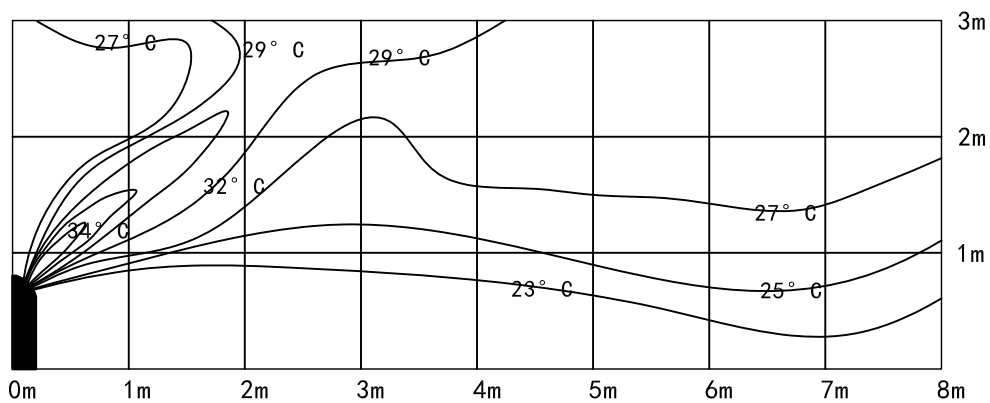
6) Floor installation/Cooling/Air Temperature Distribution



7) Floor installation/Heating/Air Velocity Distribution



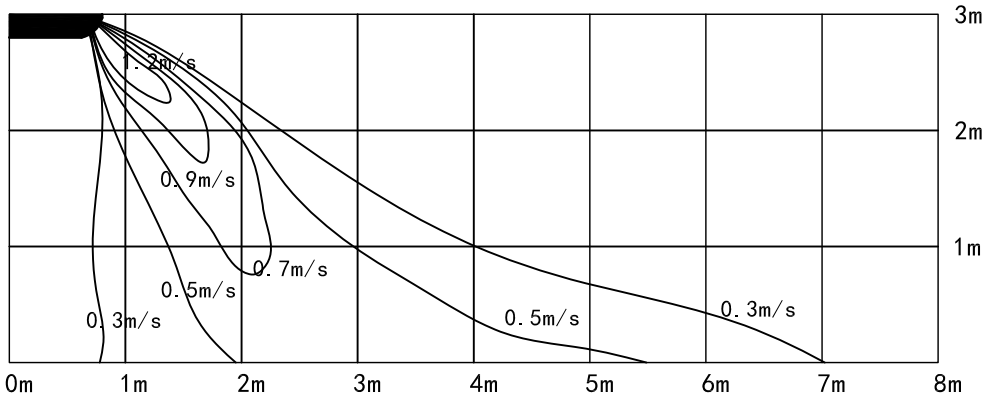
8) Floor installation/Heating/Air Temperature Distribution



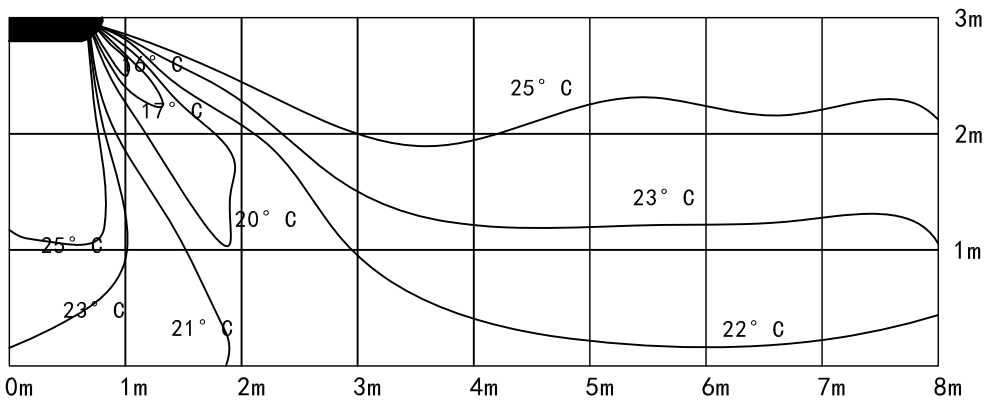
## 6. AIR FLOW DISTRIBUTION

48K

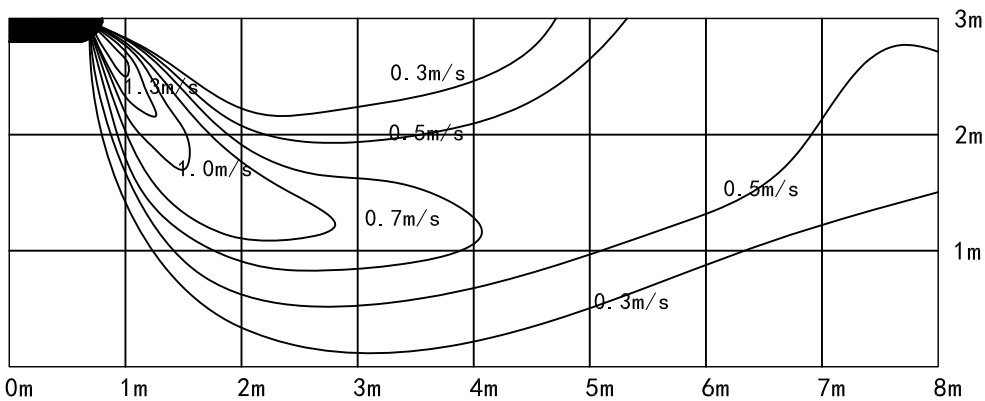
### 1) Ceiling installation/Cooling/Air Velocity Distribution



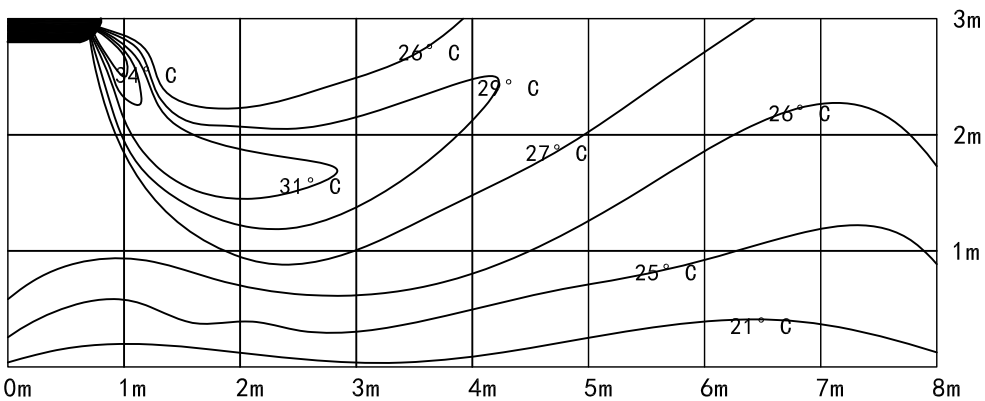
### 2) Ceiling installation/Cooling/Air Temperature Distribution



### 3) Ceiling installation/Heating/Air Velocity Distribution



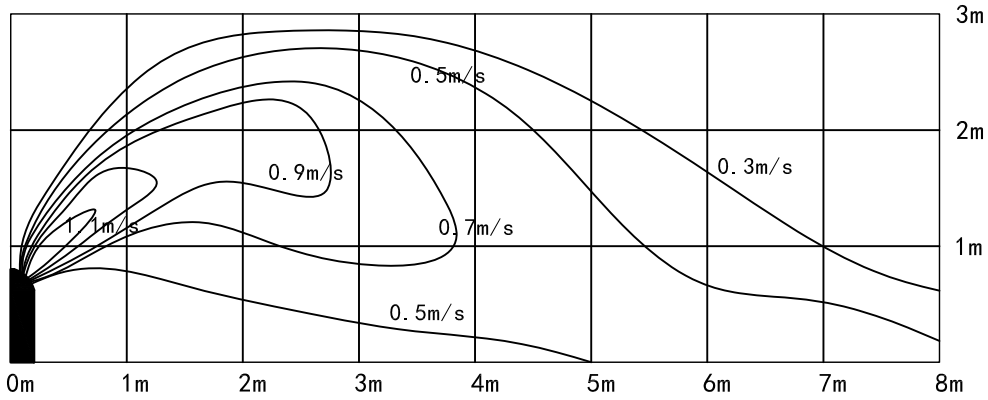
### 4) Ceiling installation/Heating/Air Temperature Distribution



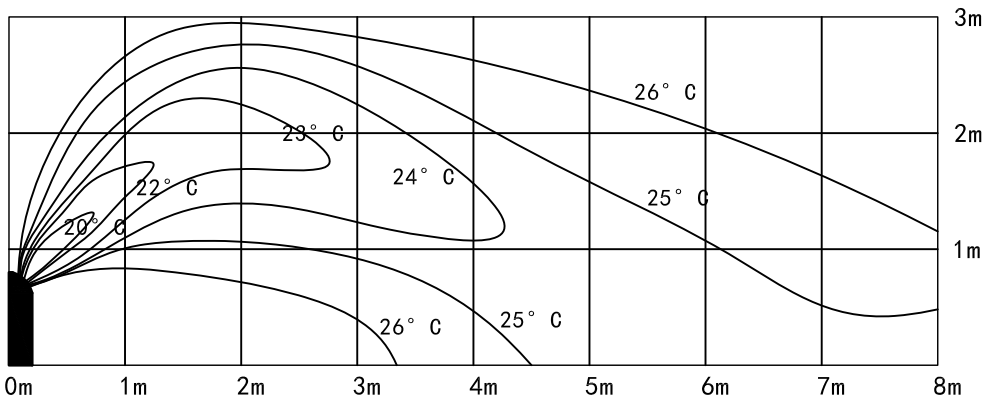


## 6. AIR FLOW DISTRIBUTION

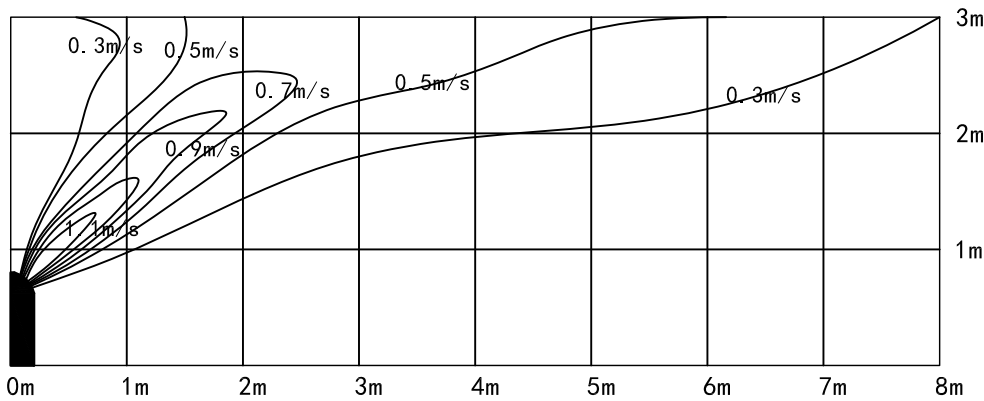
5) Floor installation/Cooling/Air Velocity Distribution



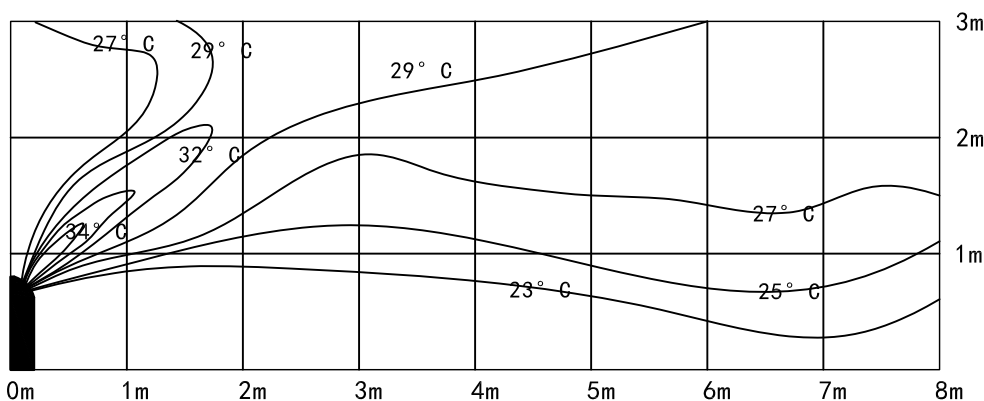
6) Floor installation/Cooling/Air Temperature Distribution



7) Floor installation/Heating/Air Velocity Distribution



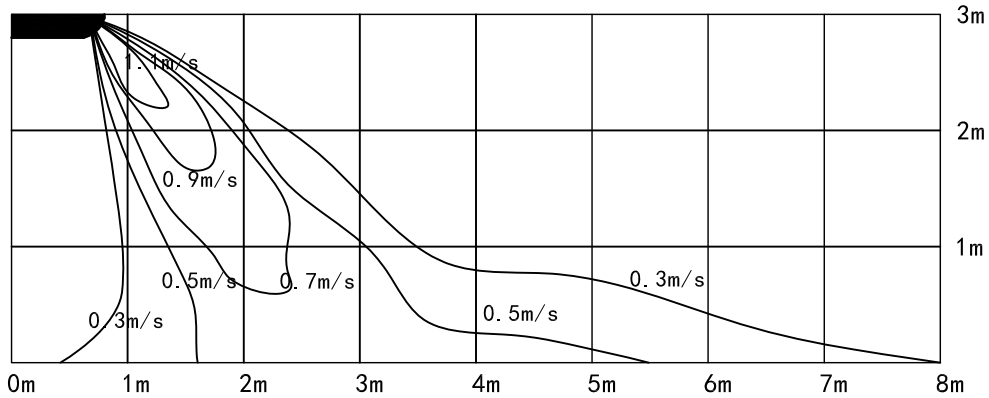
8) Floor installation/Heating/Air Temperature Distribution



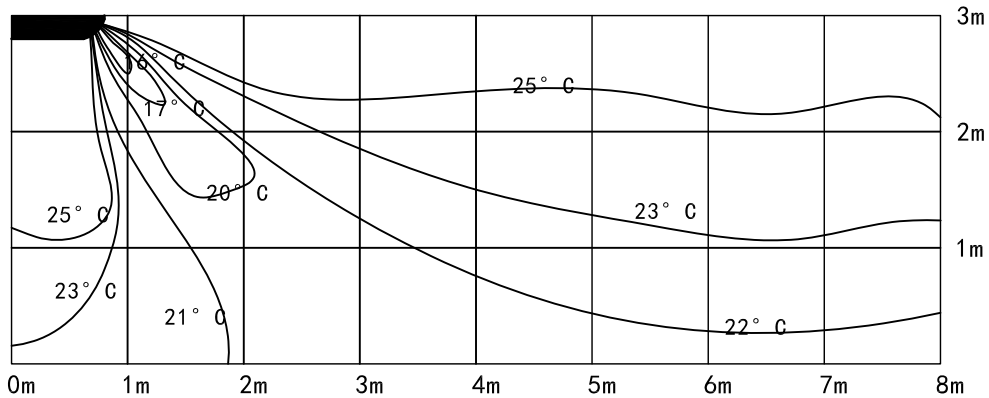
## 6. AIR FLOW DISTRIBUTION

60K

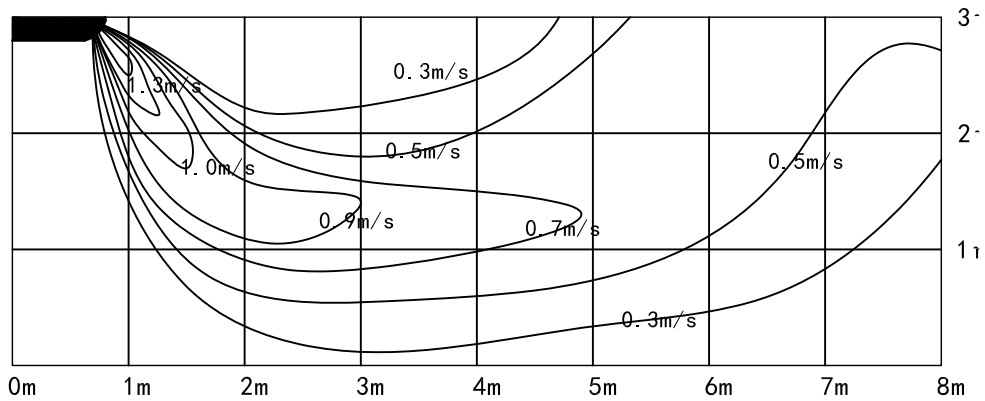
### 1) Ceiling installation/Cooling/Air Velocity Distribution



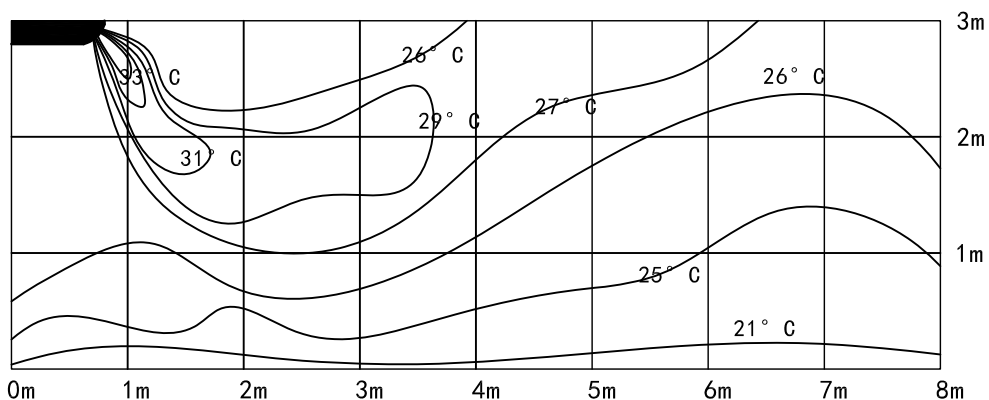
### 2) Ceiling installation/Cooling/Air Temperature Distribution



### 3) Ceiling installation/Heating/Air Velocity Distribution

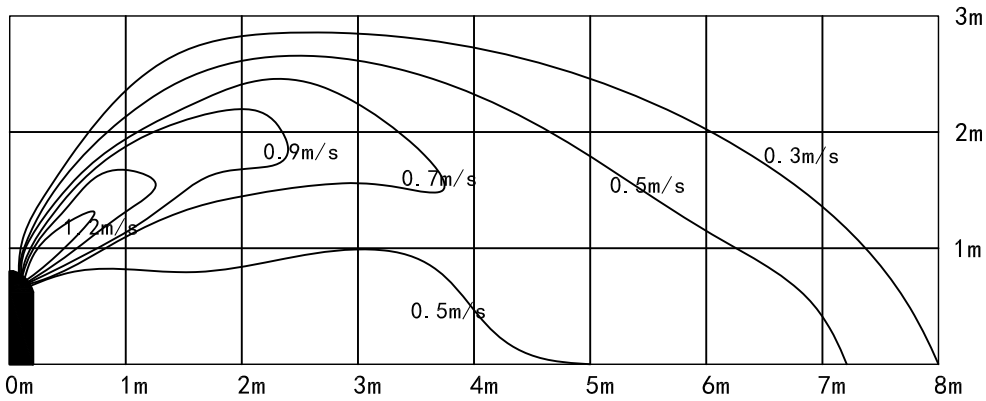


### 4) Ceiling installation/Heating/Air Temperature Distribution

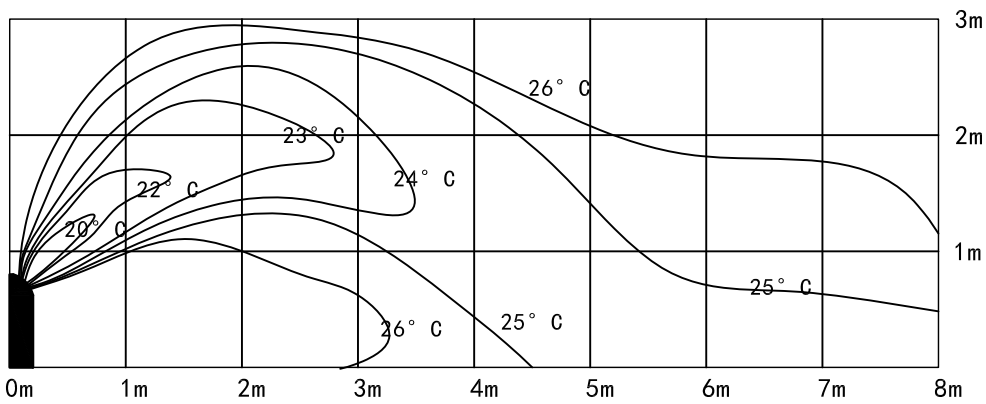


## 6. AIR FLOW DISTRIBUTION

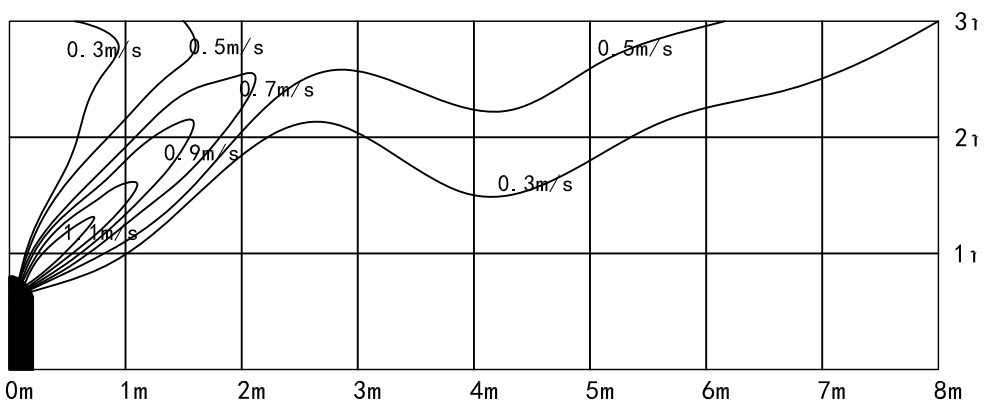
5) Floor installation/Cooling/Air Velocity Distribution



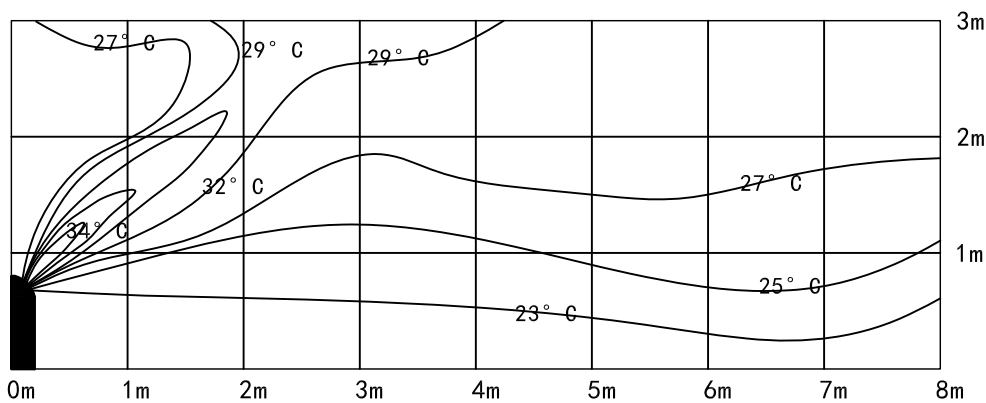
6) Floor installation/Cooling/Air Temperature Distribution



7) Floor installation/Heating/Air Velocity Distribution

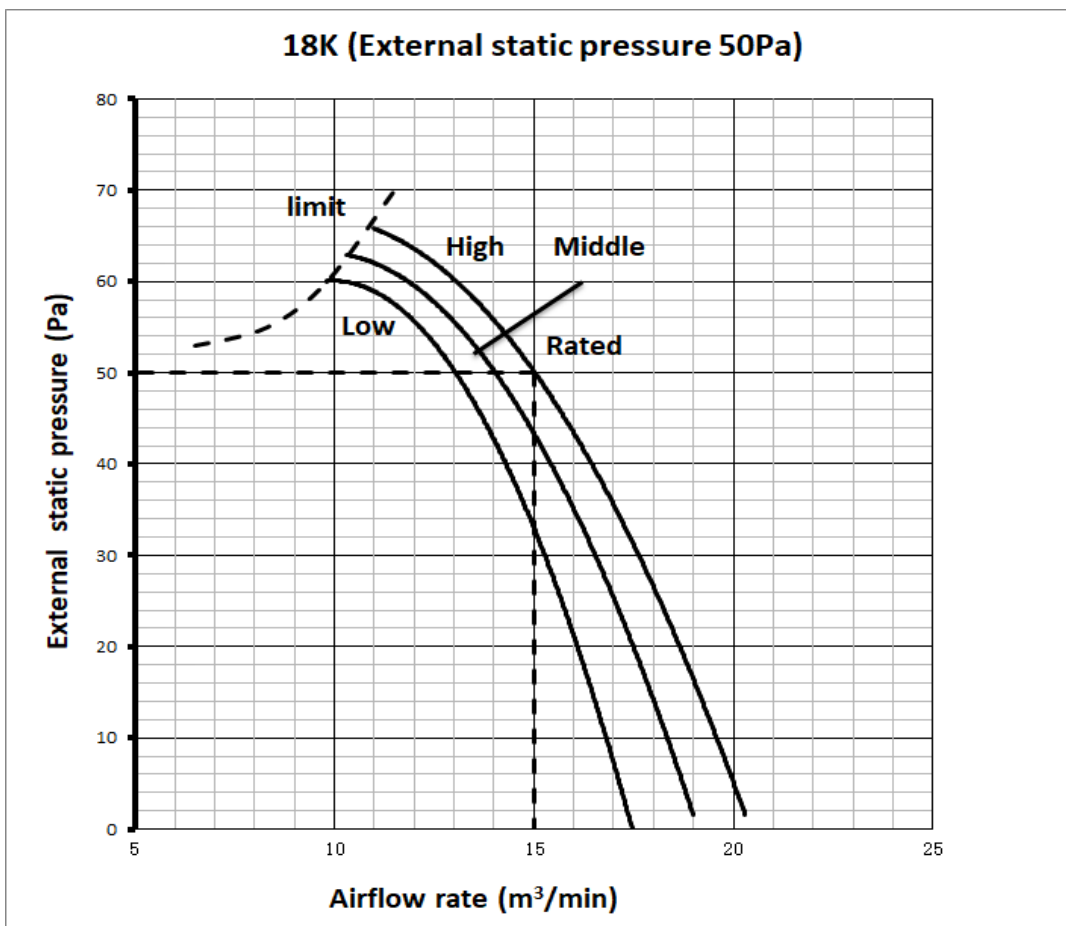
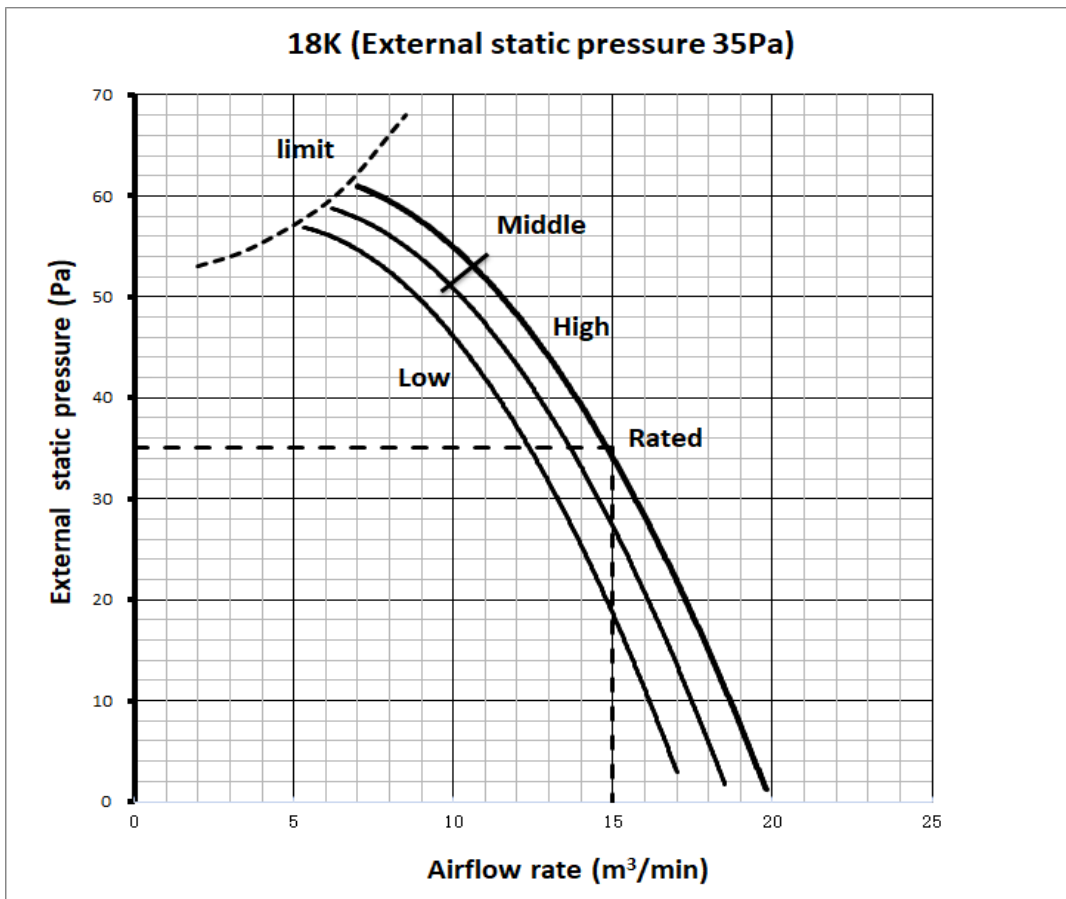


8) Floor installation/Heating/Air Temperature Distribution



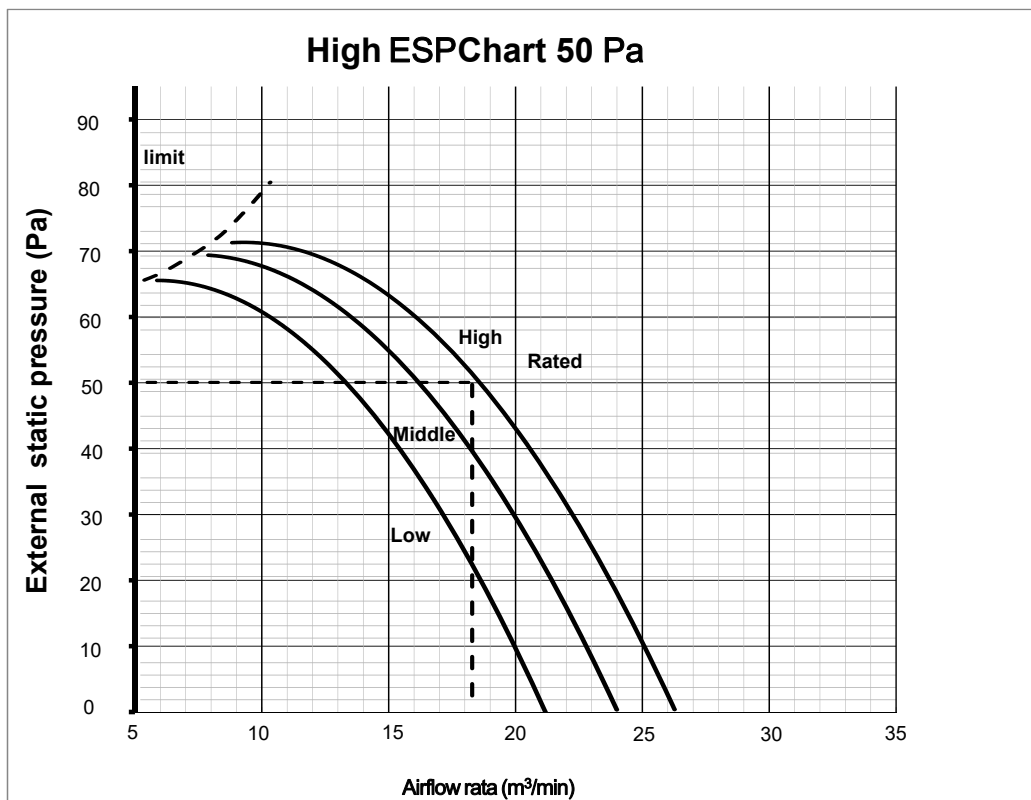
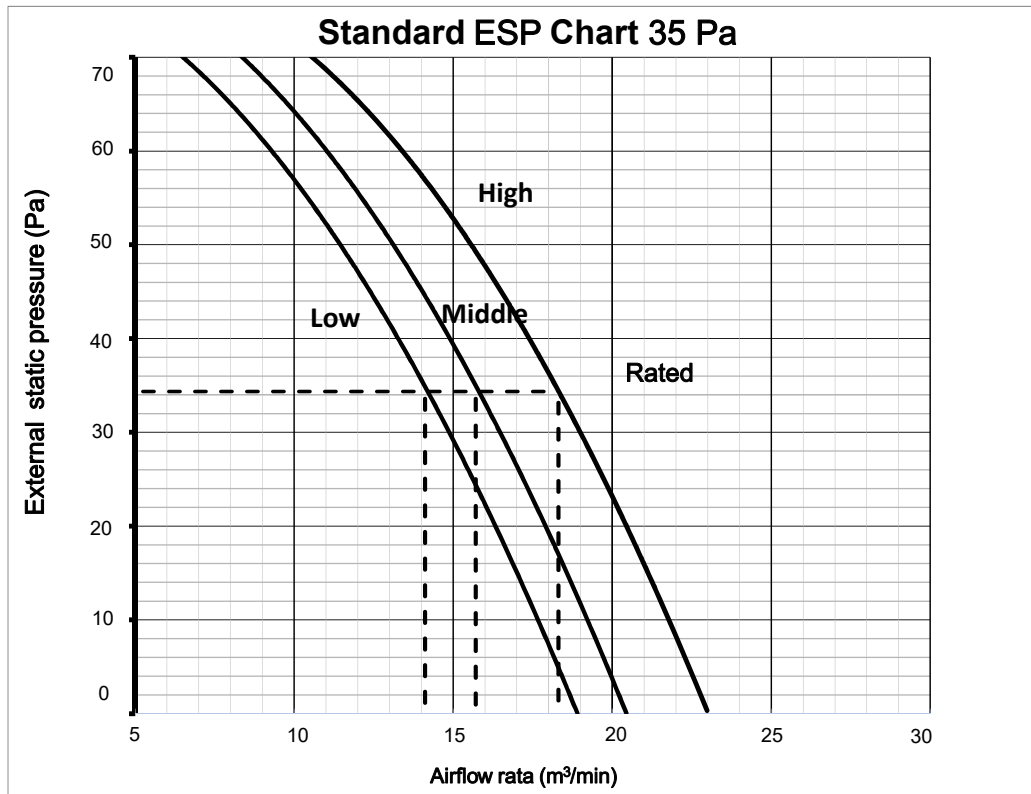
# 7. ESP(EXTERNAL STATIC PRESSURE)CHART(DUCT TYPE)

18K



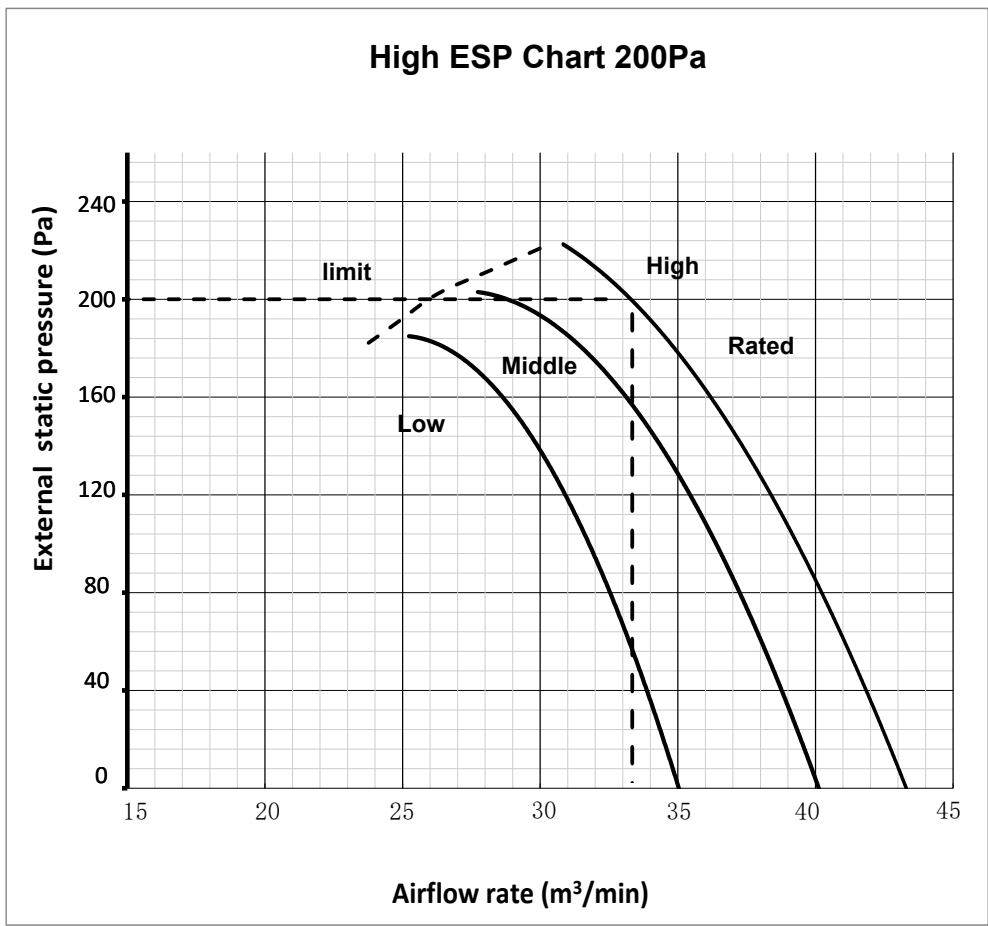
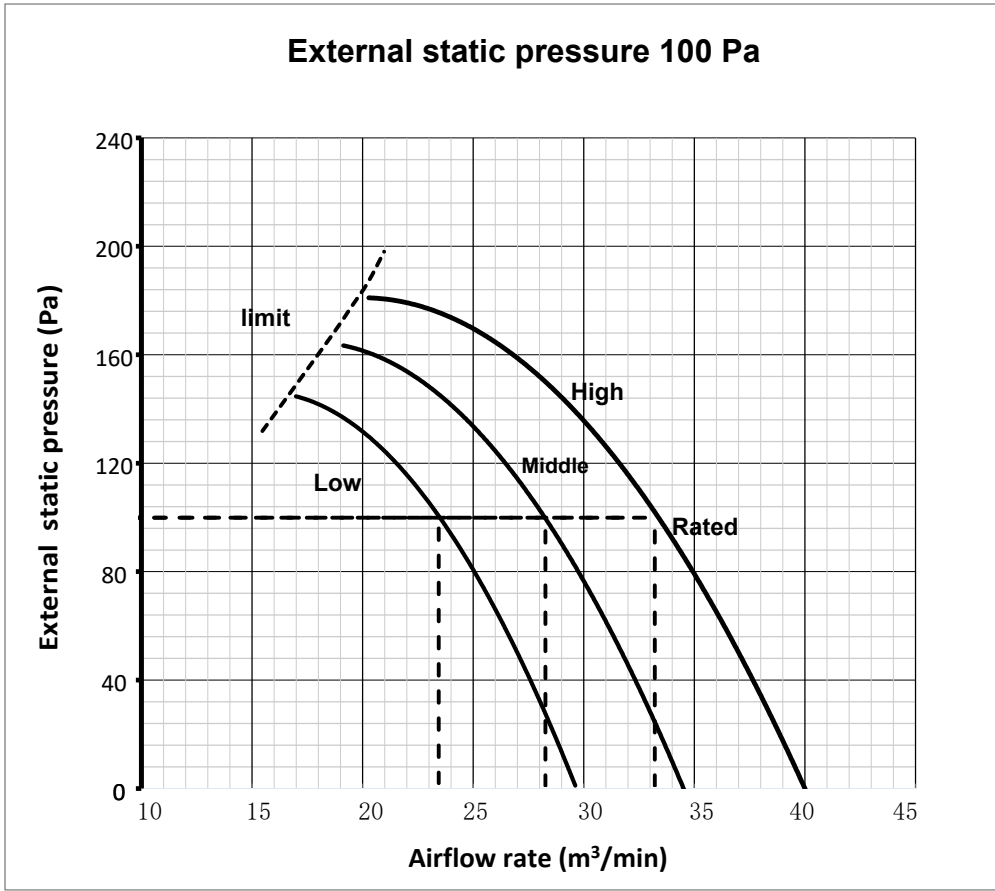
# 7. ESP(EXTERNAL STATIC PRESSURE)CHART(DUCT TYPE)

24K



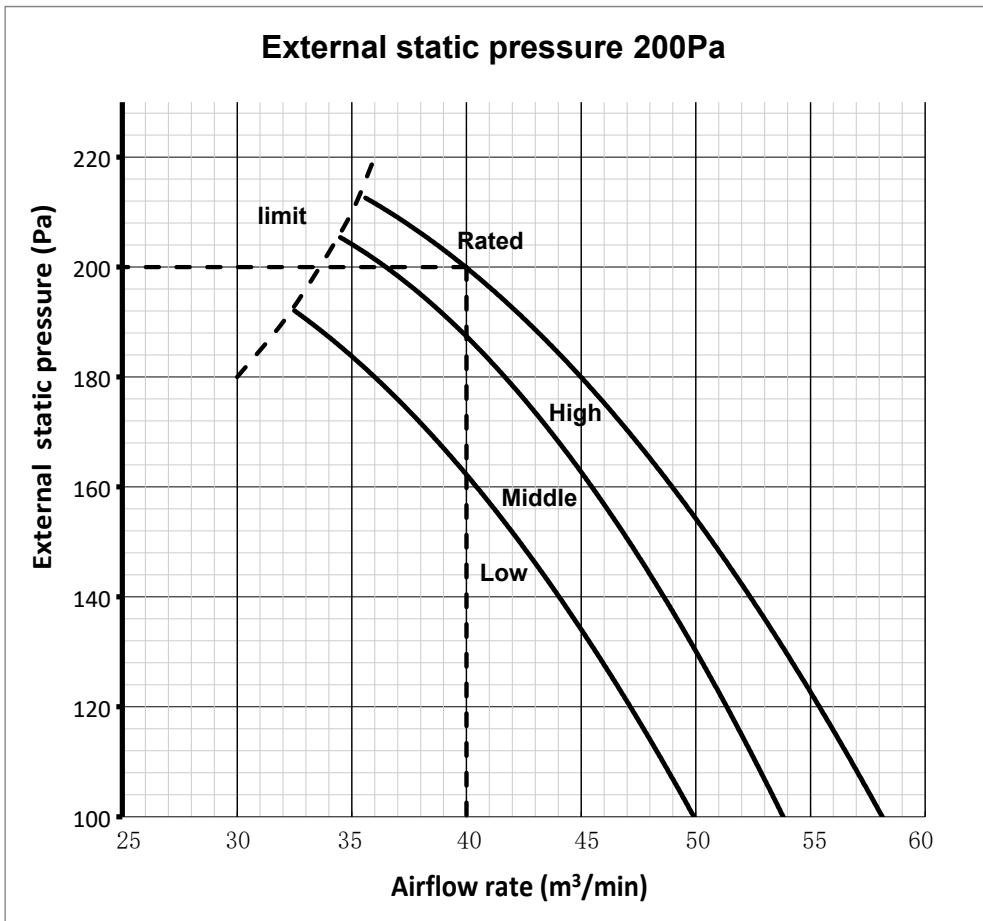
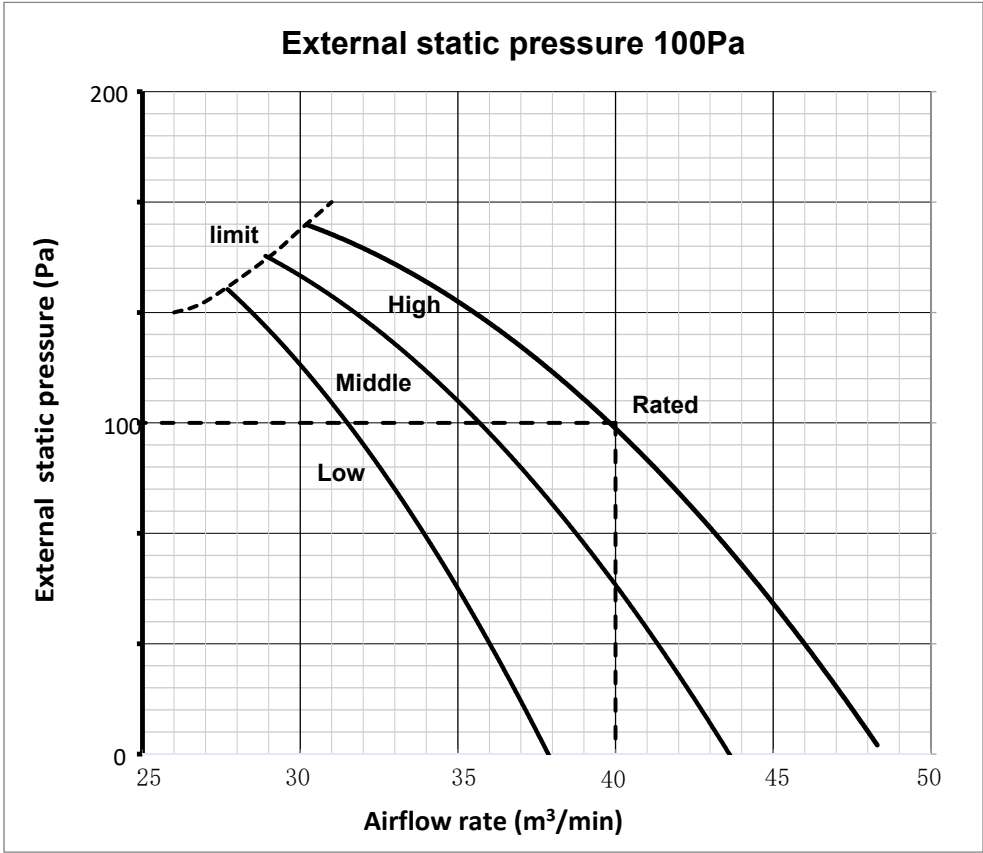
# 7. ESP(EXTERNAL STATIC PRESSURE)CHART(DUCT TYPE)

36K



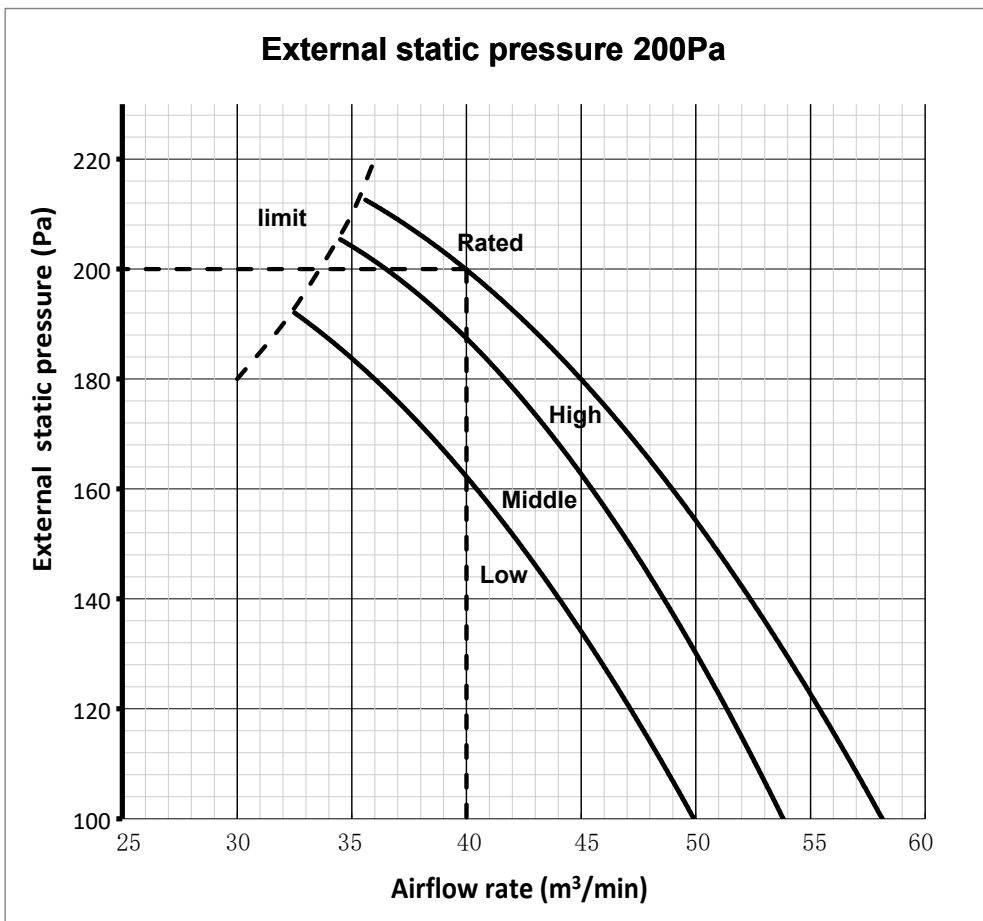
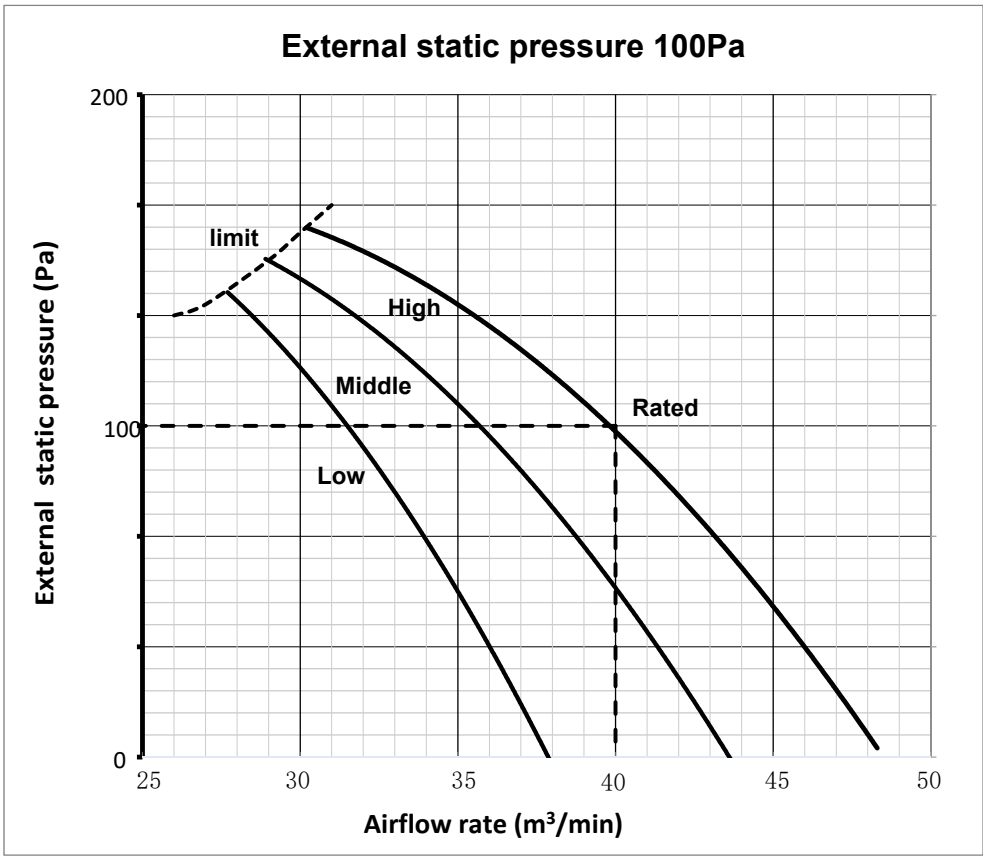
# 7. ESP (EXTERNAL STATIC PRESSURE) CHART (DUCT TYPE)

48K



# 7. ESP (EXTERNAL STATIC PRESSURE) CHART (DUCT TYPE)

60K

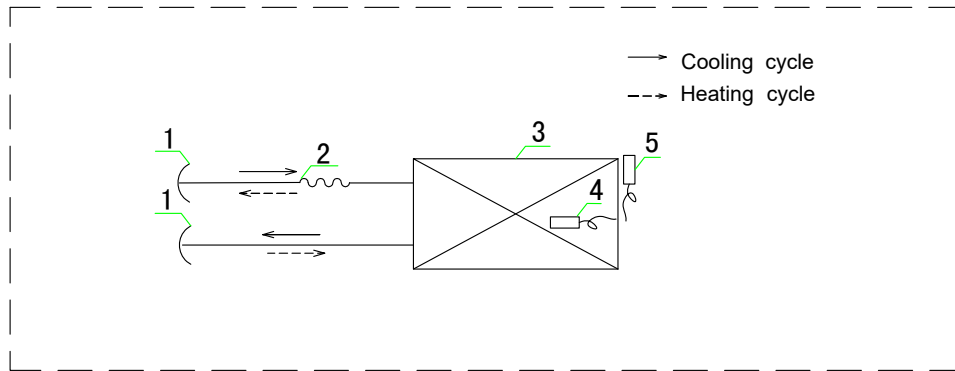




## 8. REFRIGERANT CYCLE

### 8. Refrigerant cycle

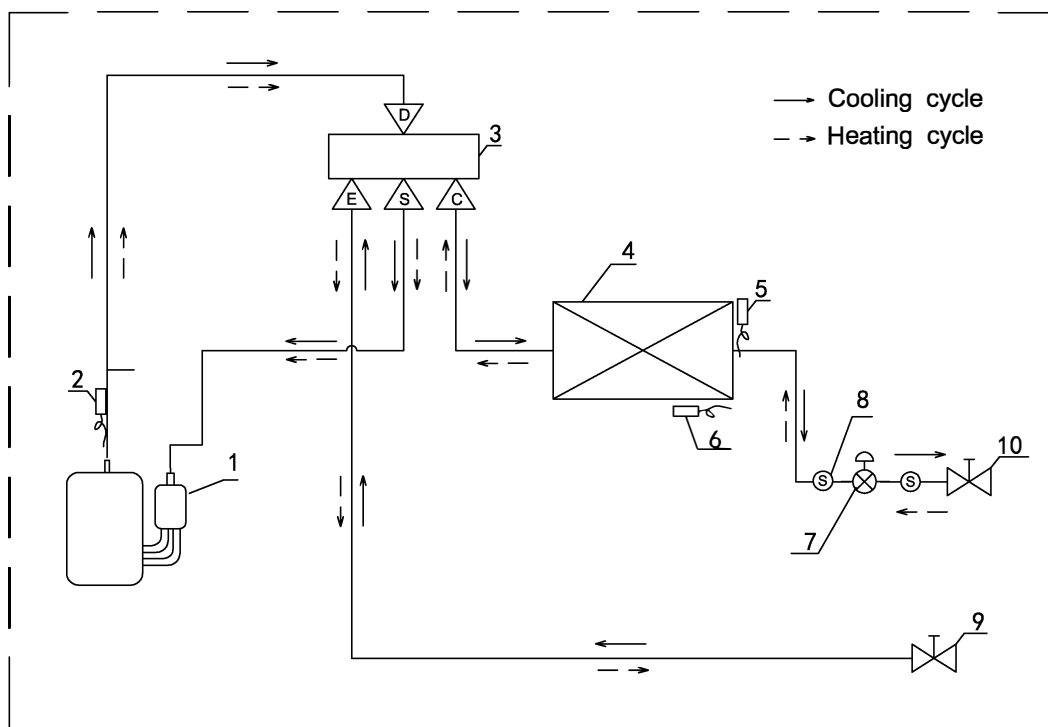
Indoor unit



List of components			
1	Hexagon nut	4	Ambient temperature sensor
2	Split capillary	5	Coil temperature sensor
3	Indoor heat exchanger		

# 8. REFRIGERANT CYCLE

Outdoor unit



List of component names			
5	Ambient temperature sensor	10	Stop valve(Liquid)
4	Outdoor heat exchanger	9	Stop valve (gas)
3	4-Way valve	8	Strainer
2	Discharge temperature sensor	7	Electronic expansion valve
1	Compressor	6	Coil temperature sensor
No.	Apellation	No.	Apellation

## 9. FRESH AIR INTAKE FUNCTION

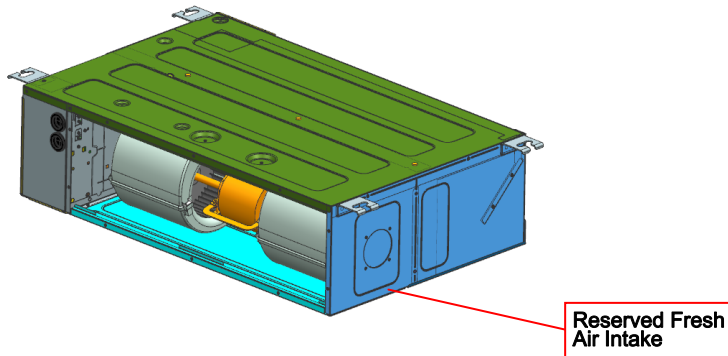
### 9. Fresh air intake function

#### Duct (18K~60K)

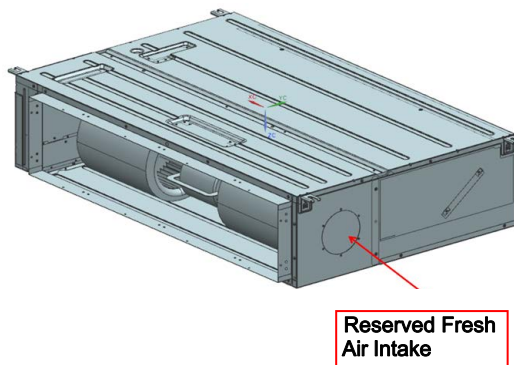
Indoor unit can take fresh air from the reserved fresh air intake, the size of the fresh air intake hole is  $\Phi 65\text{mm}$ (18KK),  $\Phi 125\text{mm}$ (24K).

Please follow the steps below when needed.

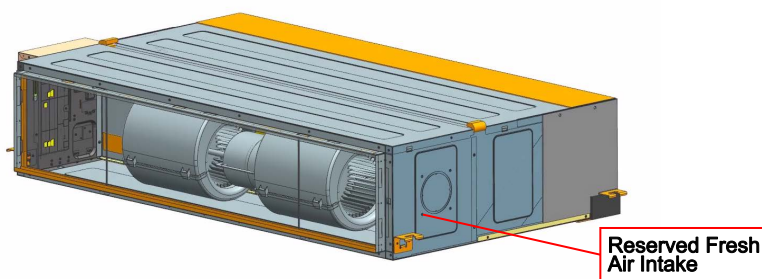
- 1) Cut off the reserved metal circular hole on the base board.
- 2) Connect air duct with the fresh air intake.



18K



24K



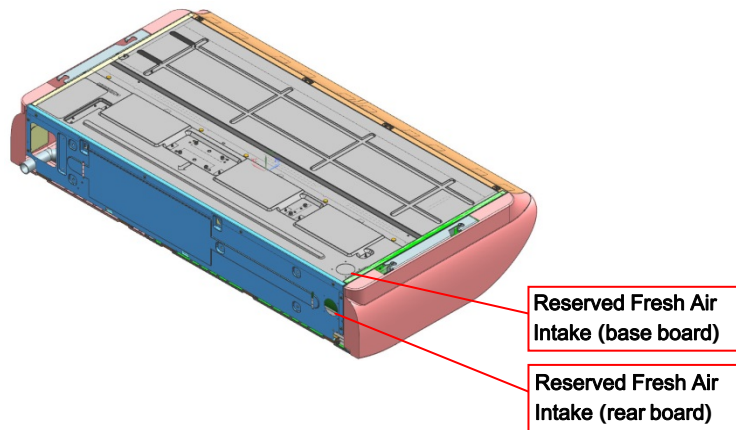
36K~60K

## 9. FRESH AIR INTAKE FUNCTION

### Ceiling & Floor

The floor ceiling indoor units are provided with fresh air function. Indoor unit can take the fresh air from the reserved fresh air intake, the size of the fresh air intake hole is  $\Phi 50(\text{mm})$ . Please follow the steps below when needed.

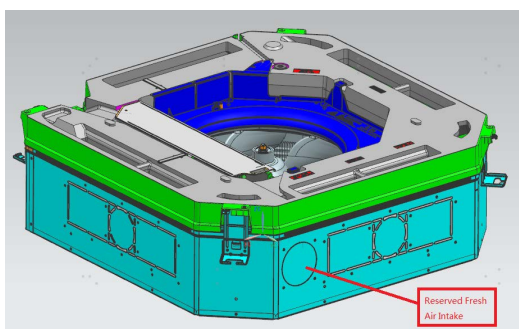
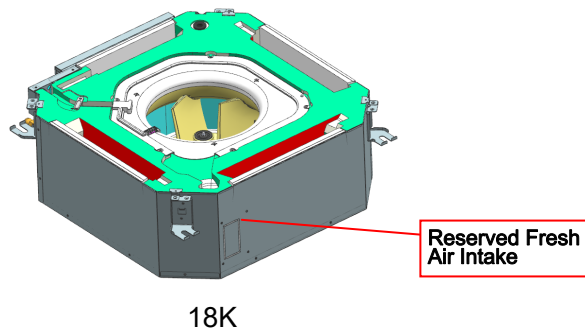
- 1) Cut off the reserved metal circular hole on the base board or rear board according to installation location.
- 2) Connect air duct with the fresh air intake.



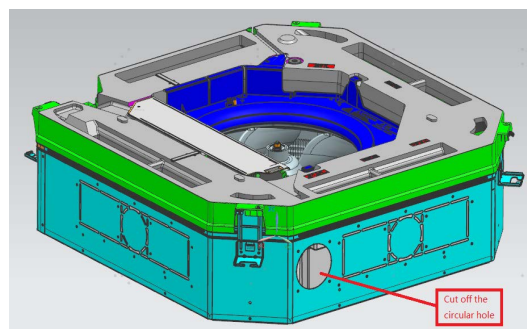
### Cassette

Indoor unit can take fresh air from the reserved fresh air intake, the size of the fresh air intake hole is  $83 \times 43(\text{mm})(18\text{K})$ ,  $\Phi 125(\text{mm})(24\text{K} \sim 60\text{K})$ . Please follow the steps below when needed.

- 1) Cut off the reserved metal rectangular hole on the base board.
- 2) Cut off the foam material on the a rectangular hole.
- 3) Connect air duct with the fresh air intake.



24K~60K



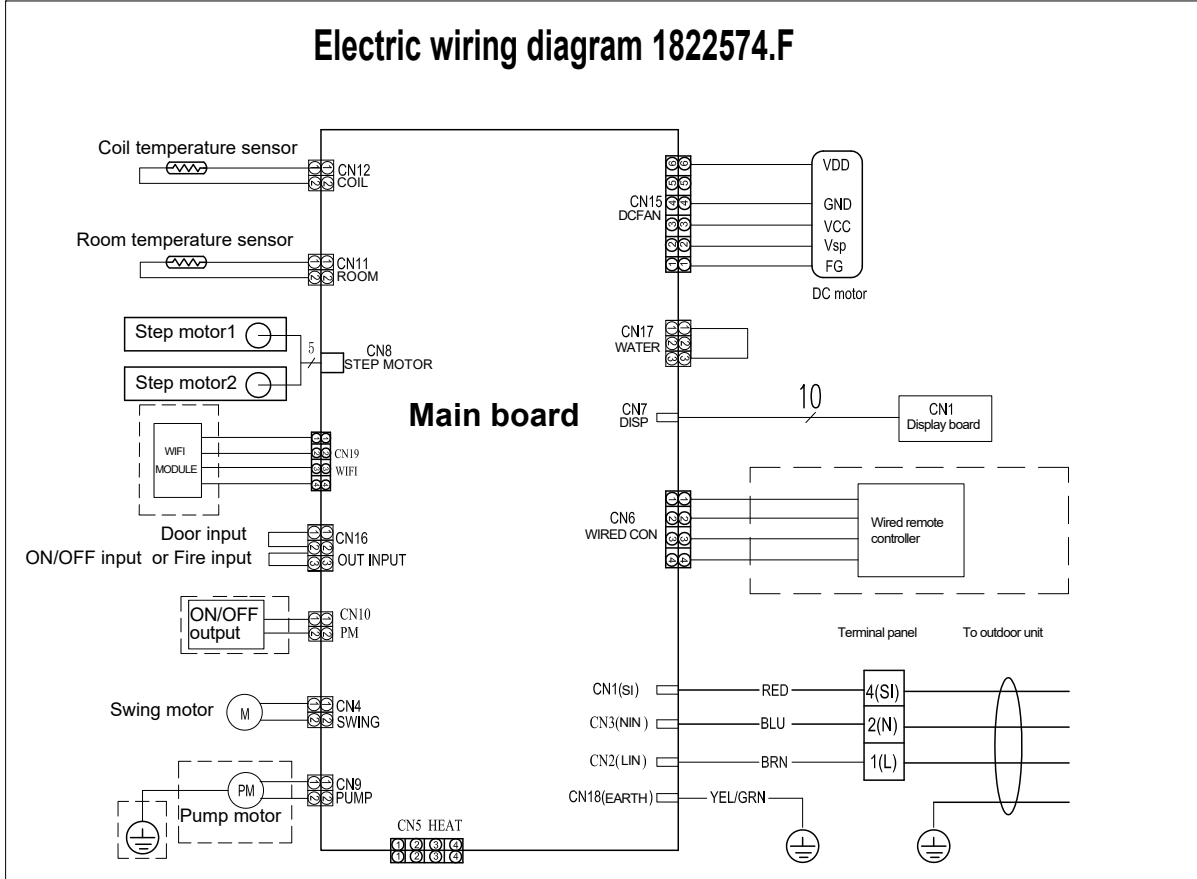
# 10. WIRING DIAGRAM

## 10. Wiring diagram

### 10.1 Electrical wiring diagram

Indoor unit

Ceiling & Floor type (18K/24K)



**Remark:**

Dashed parts are not available in some models.  
For details, see the table below.

	Indoor units model	Step motor	Pump motor	WIFI module	Display board	Wired remote controller	ON/OFF output
Ceiling & Floor	18K/24K	●			●		

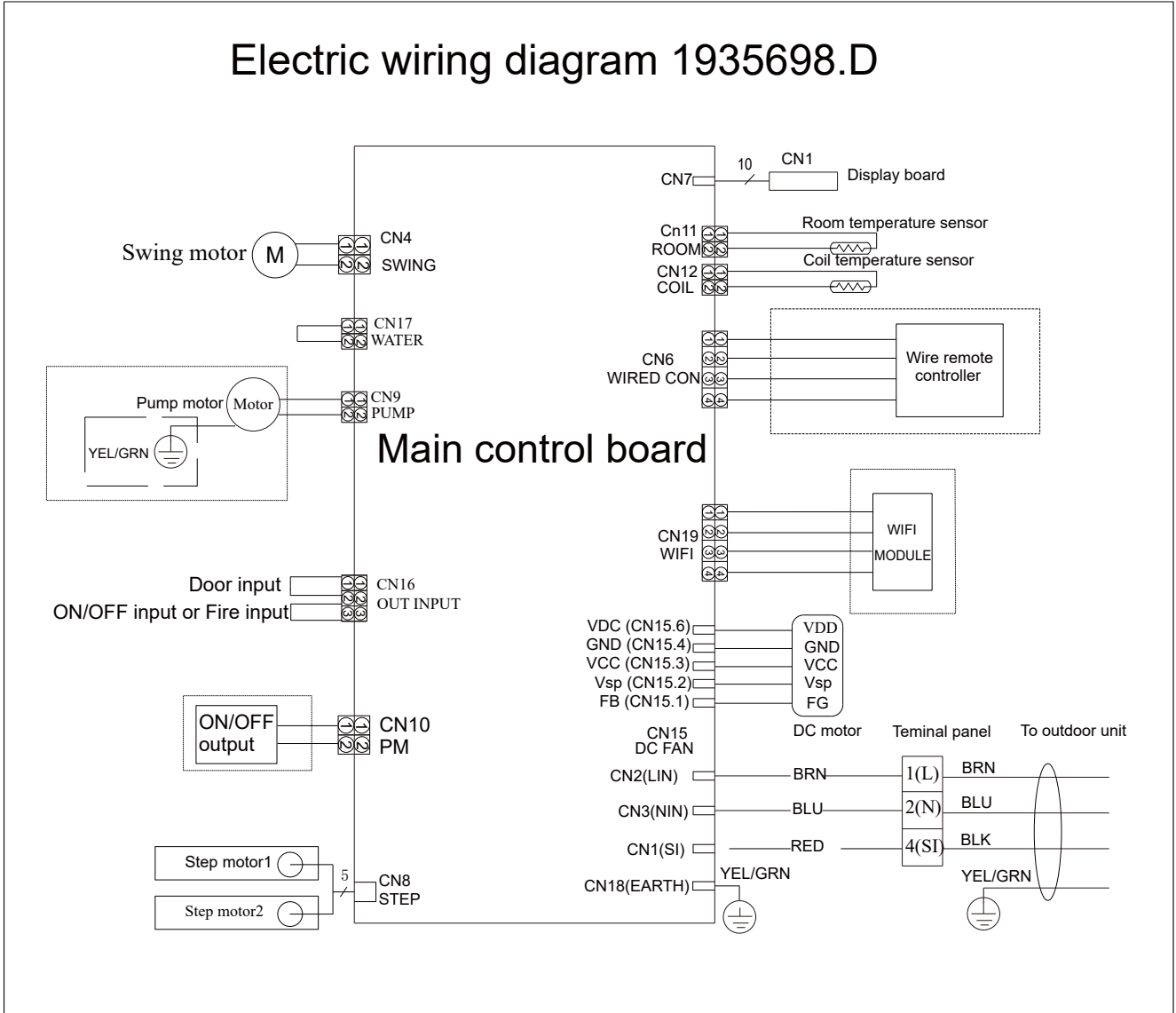
●--available part

# 10. WIRING DIAGRAM

Ceiling & Floor type

36/48/60K

## Electric wiring diagram 1935698.D



**Remark:**

Dashed parts are not available in some models.  
 Details see the table below.

	Indoor units model	Step motor	Pump motor	WIFI module	Display board	Wired remote controller	ON/OFF output
Floor ceiling	48K/60K	●			●		

●--available part

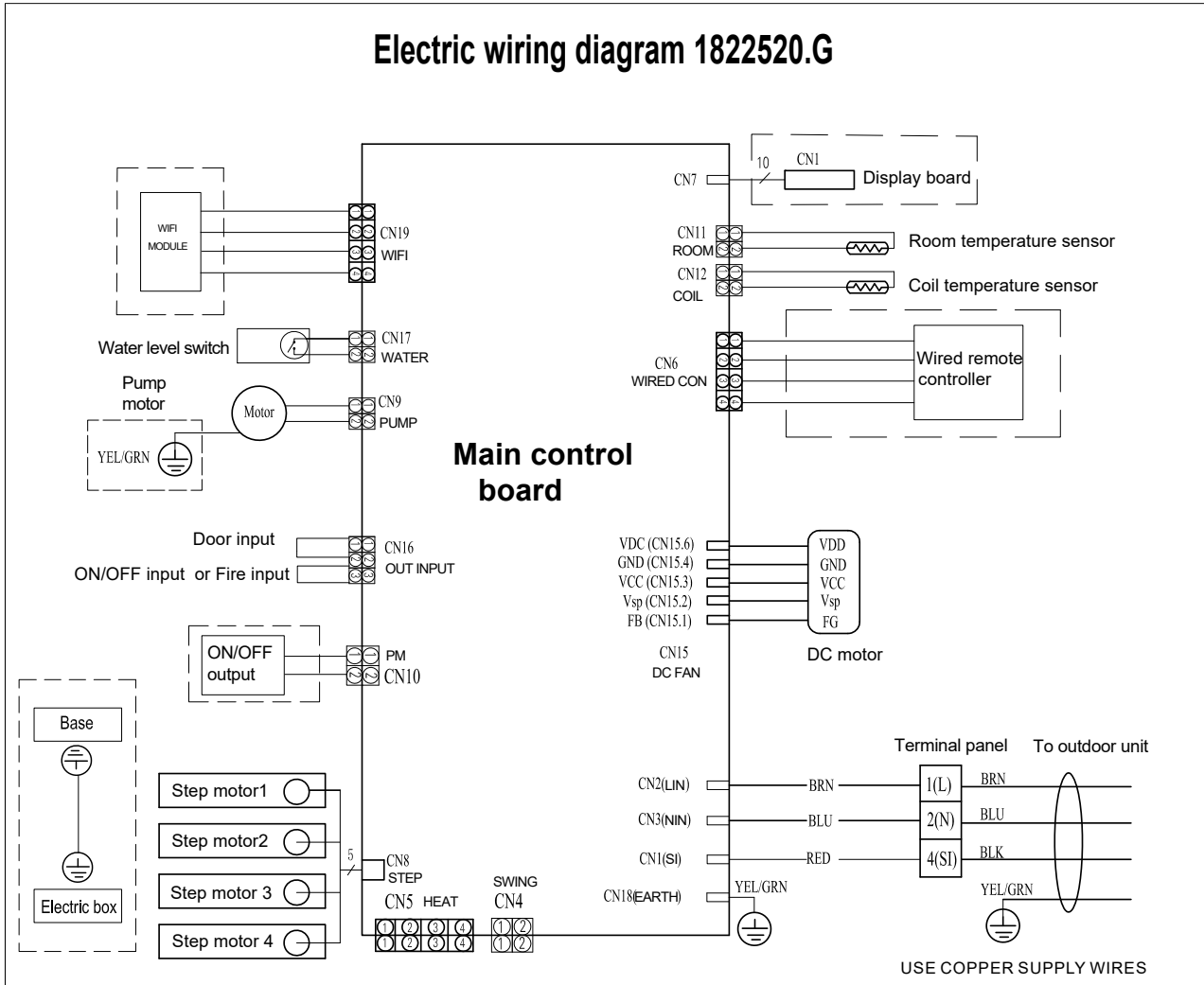
# 10. WIRING DIAGRAM

## 10. Wiring diagram

### 10.1 Electrical wiring diagram

Indoor unit

Cassette type (18K)



**Remark:**

Dashed parts are not available in some models.

For details, see the table below.

	Indoor units model	Step motor	Pump motor	WiFi module	Display board	Wired remote controller	ON/OFF output	Earth wire
Cassette	18K~60K	●	●		●		●	

●--available part

# 10. WIRING DIAGRAM

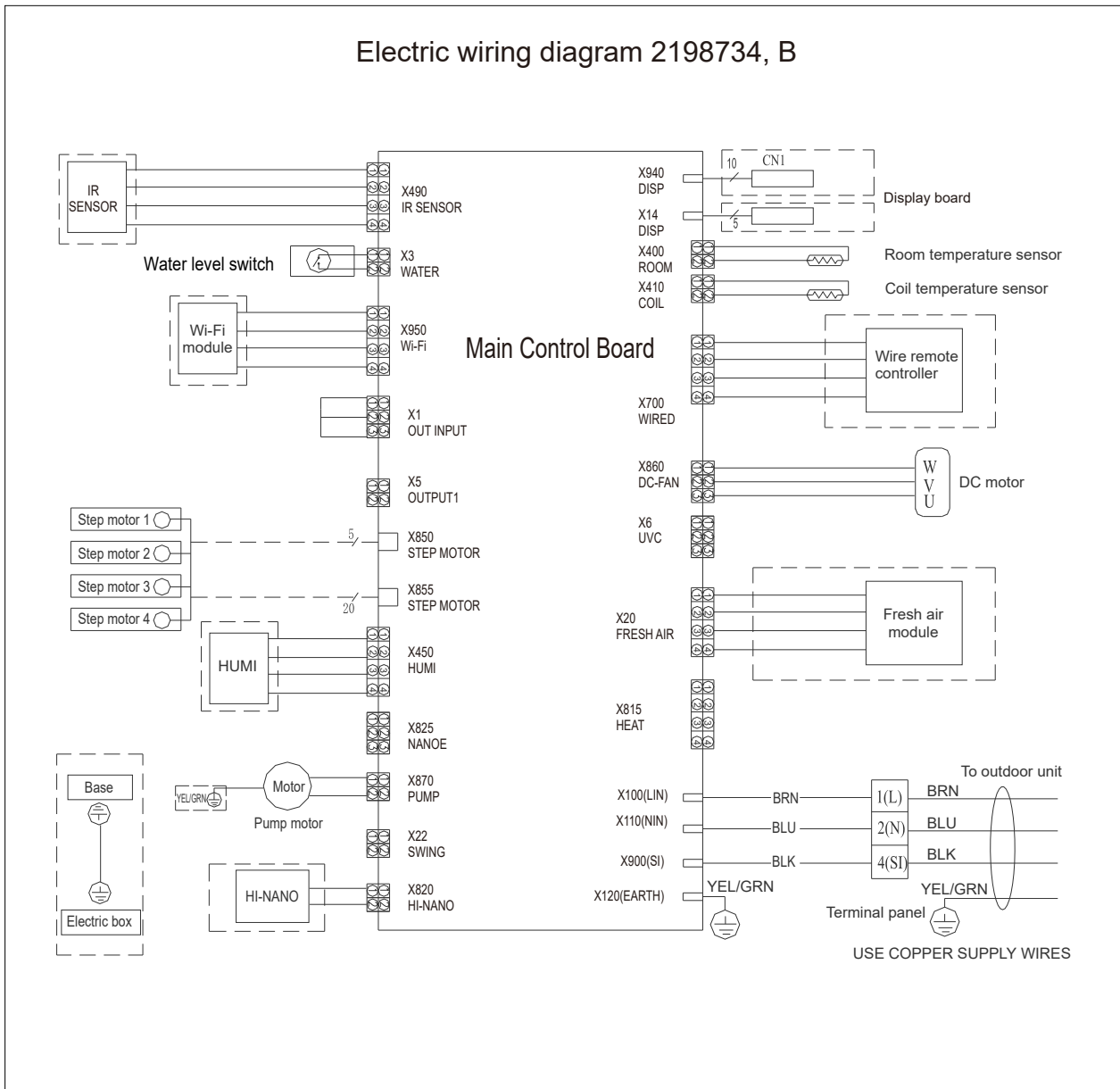
## 10. Wiring diagram

### 10.1 Electrical wiring diagrams

Indoor unit

Cassette type

24/36/48K/60K



**Remark:**

Dashed parts are not available in some models.

Details see the table below.

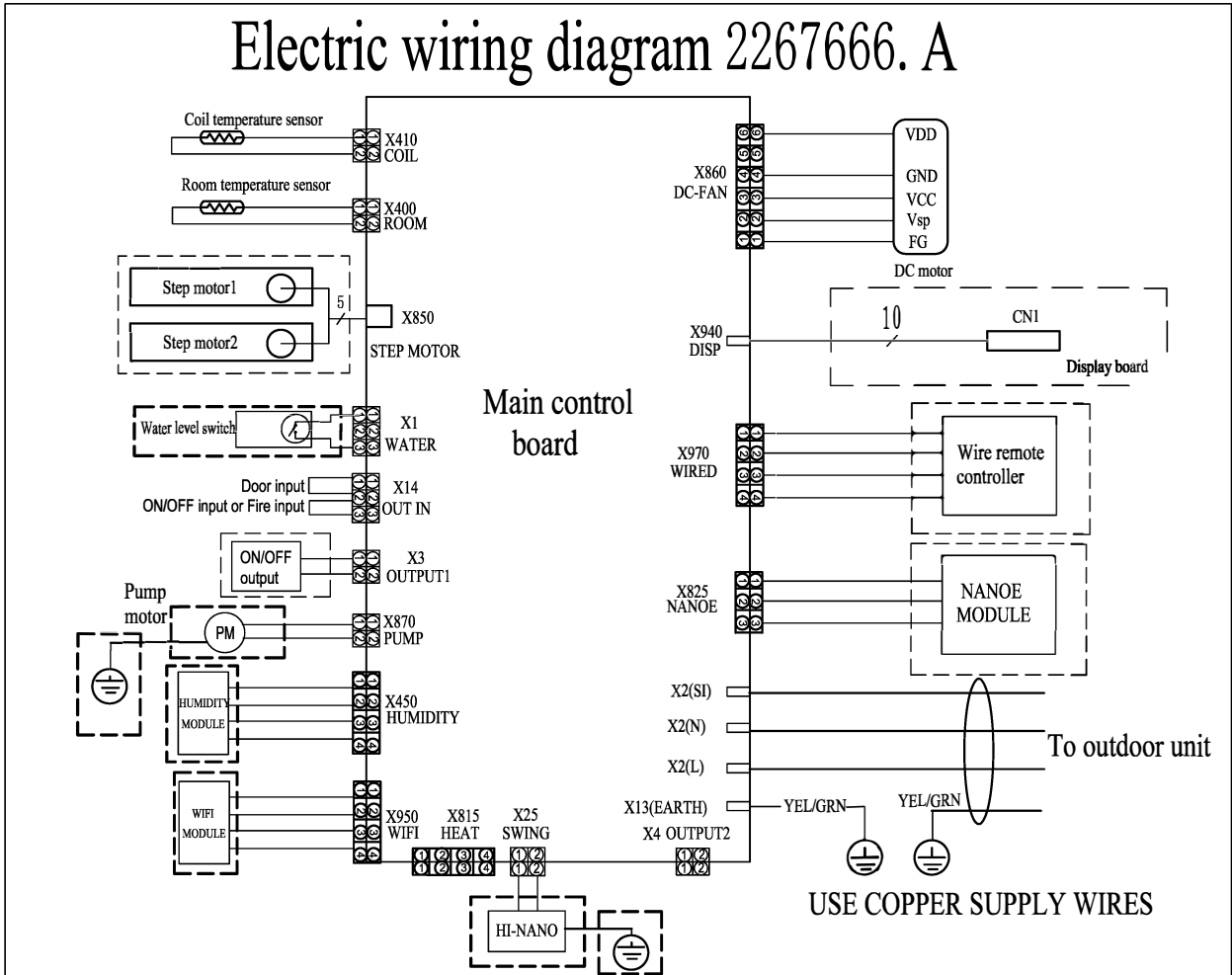
Series	Indoor units model	WiFi Module (X950)	Humidity (X450)	PUMP (X870)	Hi-Nano (X820)	Base-Electric box	Display board (X940)	Display (X14)	IR Sensor (X490)	Fresh airmodule (X20)	Wire remote controller (X700)
Cassette	48K /60K			●		●		●			

●--available part



# 10. WIRING DIAGRAM

Ducted type: 18K

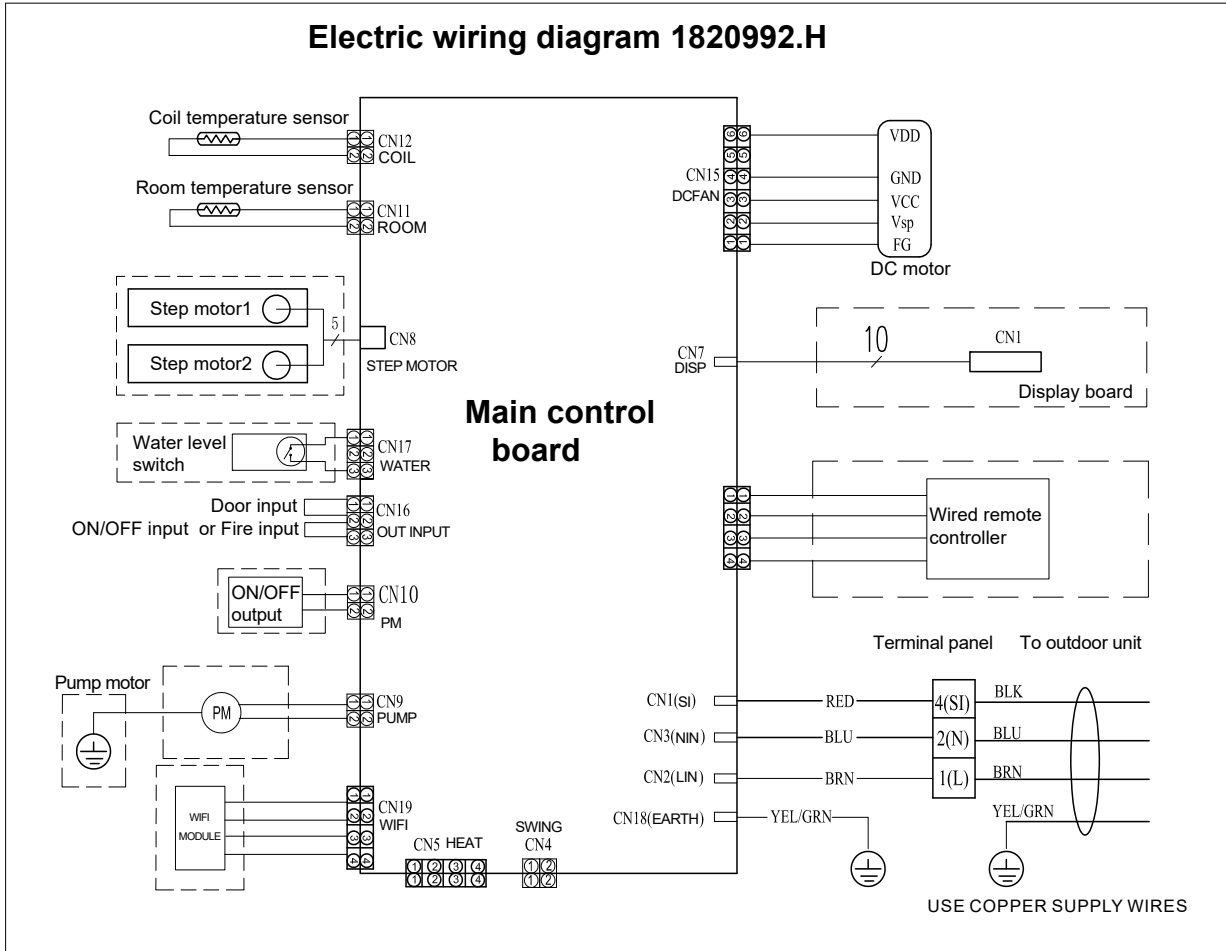


	Indoor units model	Step motor	Pump motor	Water level switch	Display board	Wired remote controller	ON/OFF output
Duct	30K~60K	●	●	●	●		

●--available part

# 10. WIRING DIAGRAM

Ducted type: 24-60K



**Remark:**

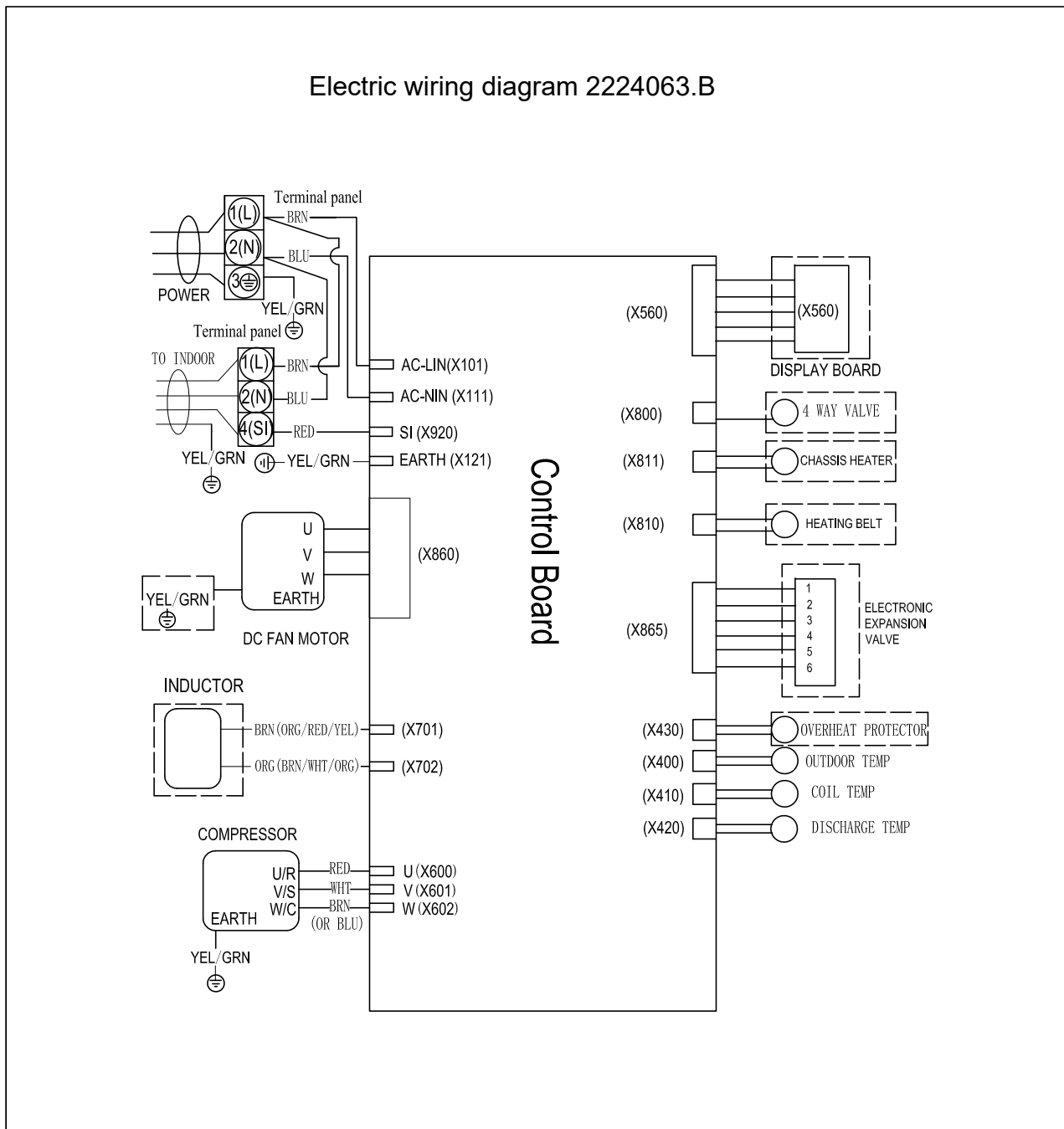
Dashed parts are not available in some models.  
For details, see the table below.

	Indoor units model	Step motor	Pump motor	WiFi module	Display board	Wired remote controller	Water level switch
Duct	24K~60K		●				●

●--available part

# 10. WIRING DIAGRAM

Outdoor unit  
18K~36K



**Remark:**

Dashed parts are not available in some models.  
Details see the table below.

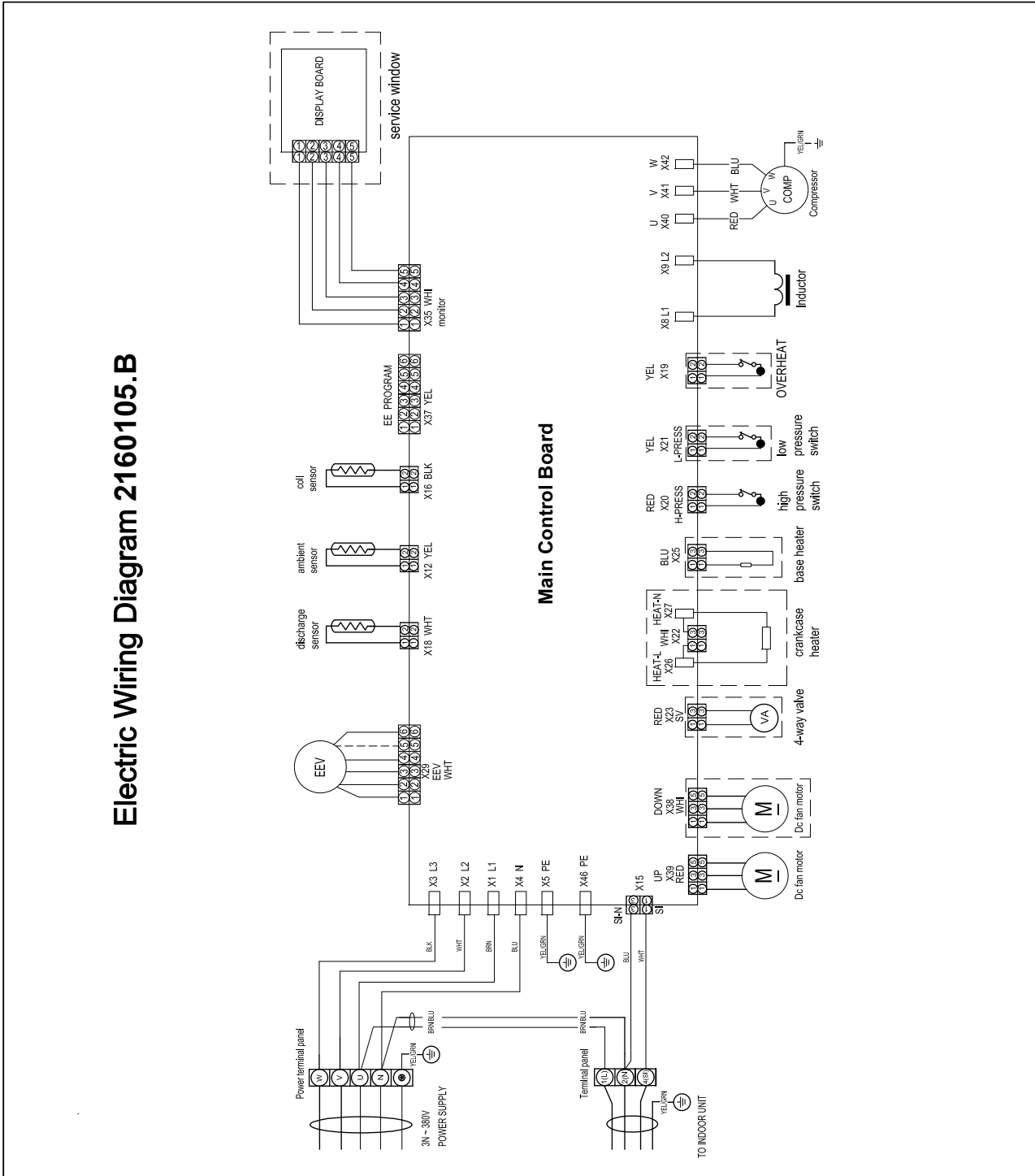
Series	Indoor units model	4-Way valve (X800)	Heating belt (X810)	Chassis heater (X811)	EEV (X865)	Overheat protector (X430)	Display board (X560)	Inductor (X701)	Inductor (X702)	DC fan motor earth (X860)
Outdoor unit	14K~24K	●	●	●	●			●	●	

●--available part

# 10. WIRING DIAGRAM

Outdoor unit  
48/60K

Electric Wiring Diagram 2160105.B



**Remark:**  
Dashed parts are not available in some models.  
Details see the table below.

Outdoor unit	DC fan motor	4-way valve	Crankcase heater	Press switch
36K~48K	●	●	●	●

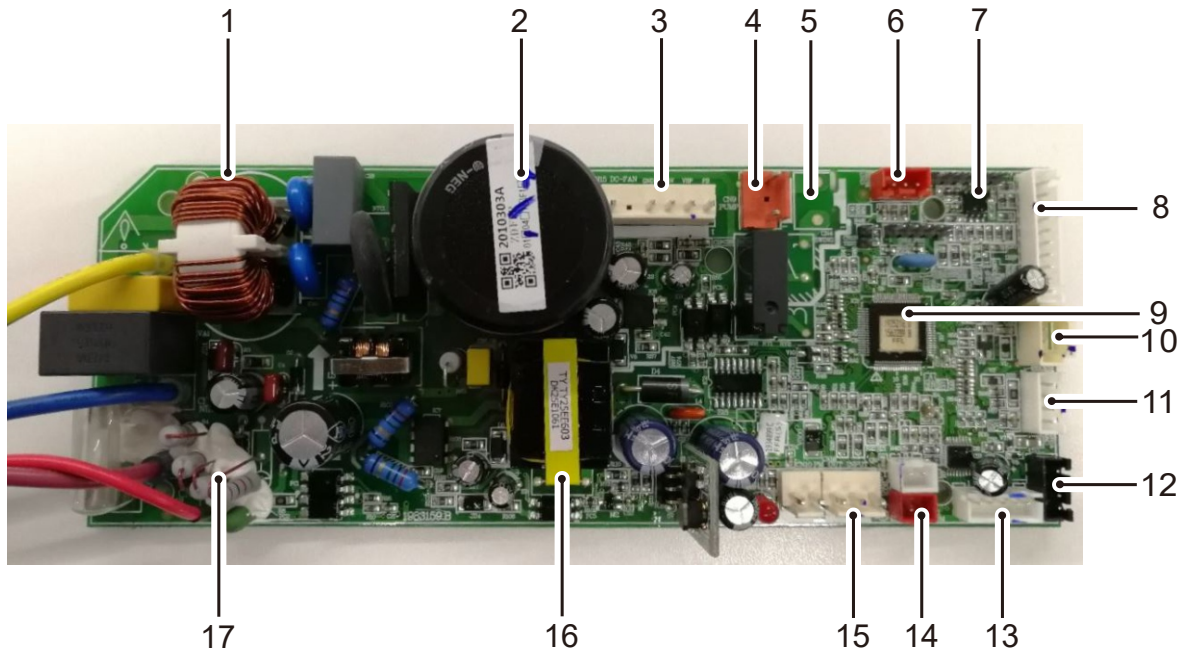
●--available part

## 10. WIRING DIAGRAM

### 10.2 Control board picture

Indoor unit

Floor ceiling



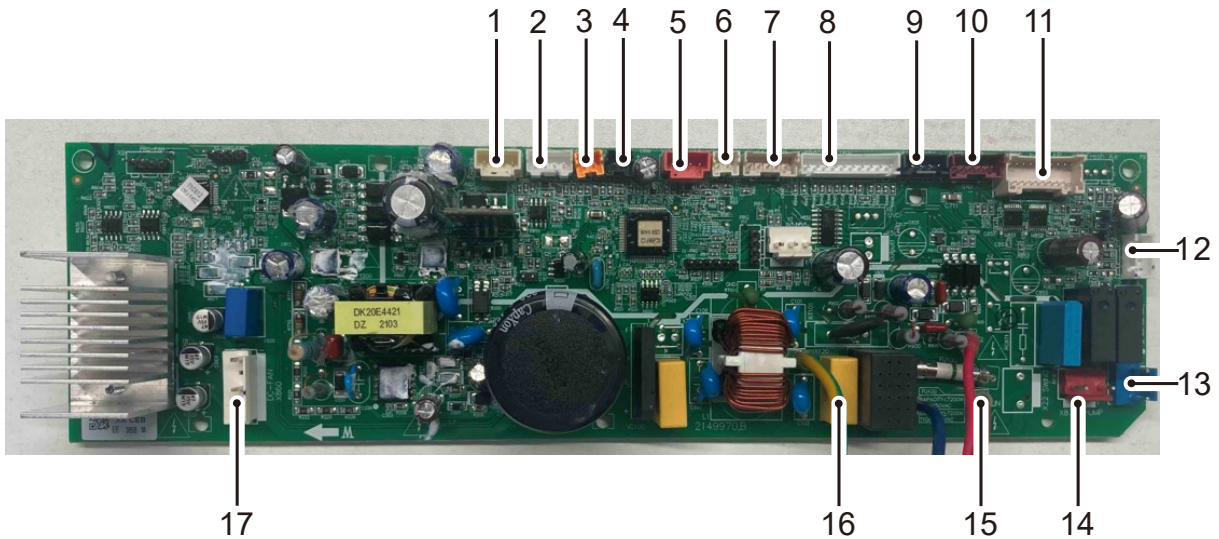
NO.	Description	NO.	Description
1	AC Power Filter	10	Wi-Fi
2	Main Control Component Code	11	Wired Controller
3	DC Motor	12	Electric Heater
4	Pump Motor	13	Step Motor
5	Swing Motor	14	Temp. Sensor
6	Water Level Switch	15	Out Input
7	EE	16	Switching Power Supply
8	Display	17	Communication with outdoor unit
9	MCU		

## 10. WIRING DIAGRAM

### 10.2 Control board picture

Indoor unit

Cassette type



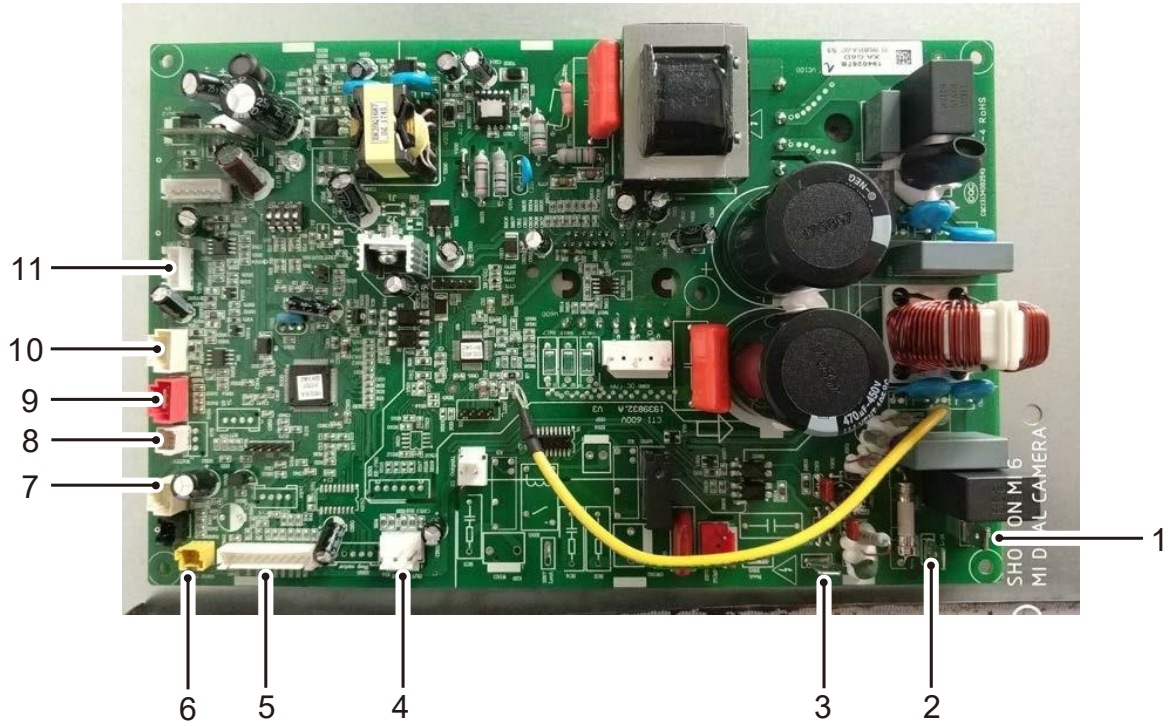
NO.	Description	NO.	Description
1	Wi-Fi	10	STEP
2	IR SENSOR	11	STEP
3	Ambient temp. sensor	12	HI-Nanoe
4	Coil temp. sensor	13	Wired controller
5	Humidity sensor	14	Pump
6	Water level	15	L/N/Si
7	DISP	16	Earth
8	DISP	17	DC Fan motor
9	Heater		

# 10. WIRING DIAGRAM

## 10.2 Control board picture

Indoor unit

Ducted

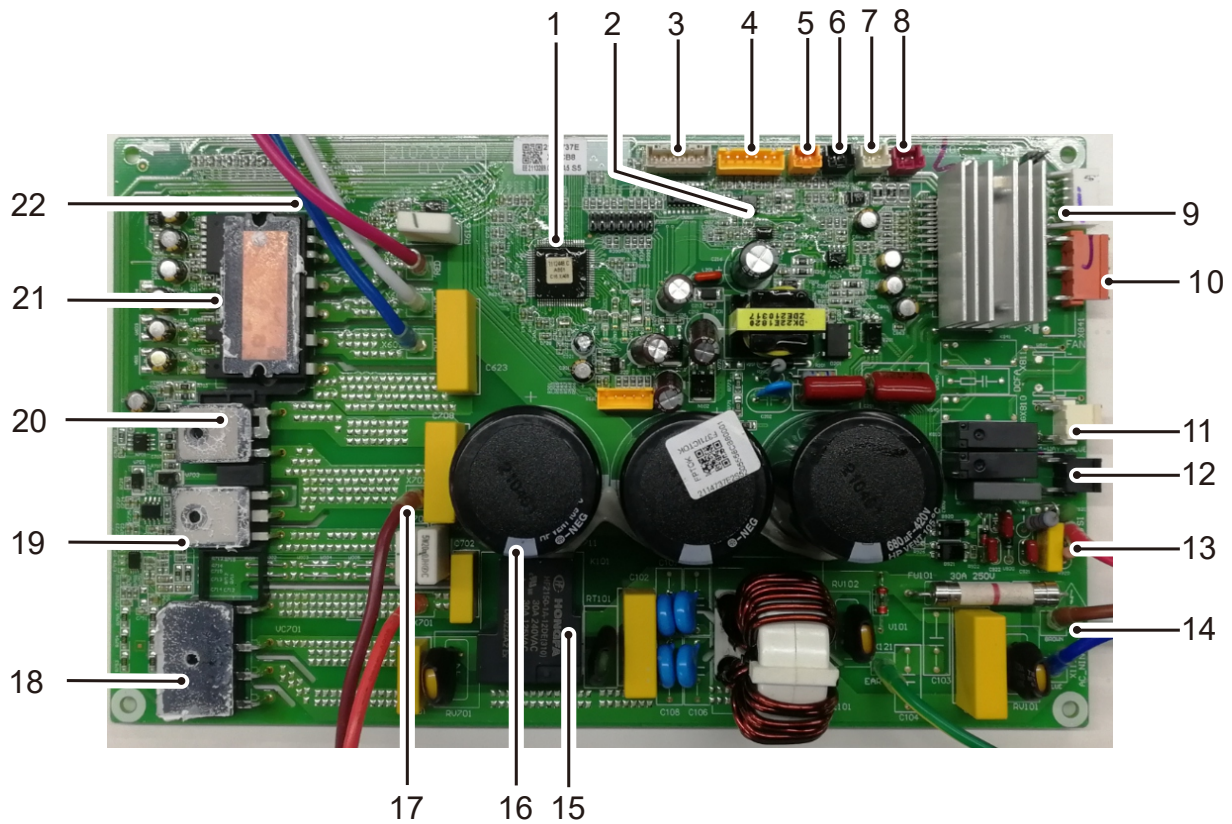


NO.	Description	NO.	Description
1	N_IN	7	Indoor coil temp. sensor
2	L_IN	8	Water level switch
3	SI-IN	9	Humidity sensor
4	Fire coupling/Access interface	10	Wi-Fi
5	Display interface	11	Wired controller
6	Indoor coil temp. sensor		



## 10. WIRING DIAGRAM

Outdoor unit  
18K24K/36K



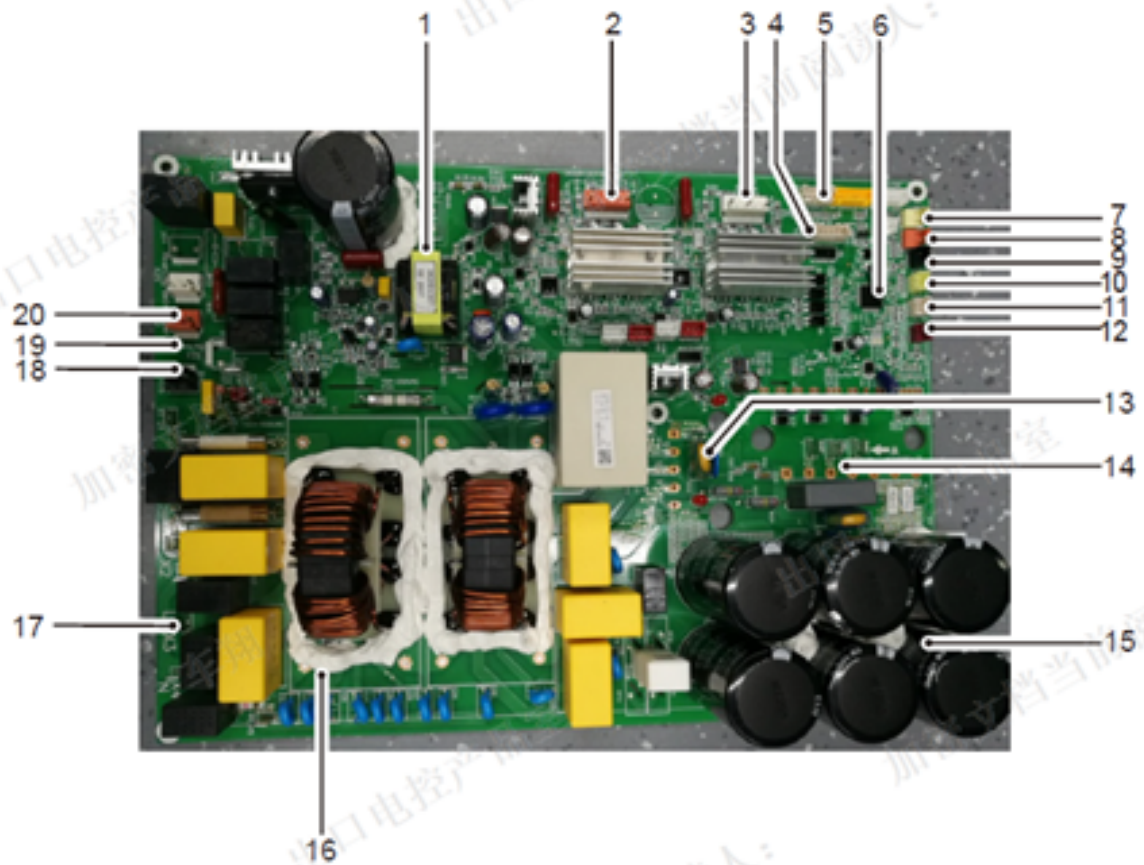
NO.	Description	NO.	Description
1	MCU	12	4-Way Valve Circuit and Interface
2	EEPROM and EEPROM Circuit	13	Communication Circuit and SI Wire
3	Electronic Expansion Valve	14	L、N Power input
4	EEPROM Flashing	15	Main Relay
5	Ambient Temp Sensor	16	Filter Electrolytic Capacitor
6	Coil Temp Sensor	17	Electric Reactor Wire
7	Discharge Temp Sensor	18	Bridge Rectifier
8	Compressor Overheat Protector	19	Diode
9	Checker	20	IGBT
10	DC Fan Motor IPM Module Circuit	21	IPM
11	Heating belt Interface	22	Compressor U、V、W



## 10. WIRING DIAGRAM

Outdoor unit

48/60K



NO.	Description	NO.	Description
1	Switching Power Supply	11	Discharge Temperature Sensor
2	DC Fan Motor (Down)	12	Overload protection switch
3	DC Fan Motor (Up)	13	Inductance
4	EEV	14	Compressor U/V/W
5	Checker	15	Capacitor
6	MCU & CPU	16	AC Power Filter
7	Low pressure switch	17	AC power in
8	High pressure switch	18	Communication with indoor unit
9	Coil Temperature Sensor	19	Compressor heater
10	Ambient Temperature Sensor	20	4-way valve

## 10. WIRING DIAGRAM

### 10.3 Common wiring

#### Recommended Wire Size

Series	Model Capacity	Power Supply	ELB		Power Source Cable Size	Transmitting Cable Size	Circuit Breaker (A)
			Nominal Current (A)	Nominal Sensitive Current (mA)	EN60335-1*1	EN60335-1*1	
Single phase	18K	220-240V ~, 50Hz	25	30	3×2.5mm <sup>2</sup>	4×1.5mm <sup>2</sup>	25
	24K	220-240V ~, 50Hz	25	30	3×2.5mm <sup>2</sup>	4×1.5mm <sup>2</sup>	25
	36K	220-240V ~, 50Hz	32	30	3×2.5mm <sup>2</sup>	4×1.5mm <sup>2</sup>	32
Three phase	48K	380-415V 3N ~, 50Hz	20	30	5×2.5mm <sup>2</sup>	4×1.5mm <sup>2</sup>	20
	60K	380-415V 3N ~, 50Hz	25	30	5×2.5mm <sup>2</sup>	4×1.5mm <sup>2</sup>	25

#### Max. Running Current (A): REFER TO NAMEPLATE

- Use an ELB (Electric Leakage Breaker).
- Do not operate the system until all the check points have been cleared.
  - (A) Check to ensure that the insulation resistance is more than 2 Mega Ohm, by measuring the resistance between ground and the terminal of the electrical parts. If not, do not operate the system until the electrical leakage is found and repaired.
  - (B) Check to ensure that the stop valves of the outdoor unit are fully opened and then start the system.
- Pay attention to the following items while the system is running.
 

Do not touch any of the parts by hand at the discharge gas side, since the compressor chamber and the pipes at the discharge side are heated higher than 90°C.

#### NOTE:

- (1) Follow local codes and regulations when select field wires, and all the above are the minimum wire size.
- (2) Use the wires which are not lighter than the ordinary polychloroprene sheathed flexible cord. (Cord designation H07RN-F).
- (3) The wire sizes marked with \*1 in the above table are selected at the maximum current of the unit according to the European Standard, EN60335-1.
- (4) When transmitting cable length is more than 15 meters, a larger wire size should be selected.
- (5) Install main switch and ELB for each system separately. Select the high response type ELB that is acted within 0.1second. For recommended capacity, see outdoor machine switch capacity.
- (6) In the case that power cables are connected in series, add each unit maximum current and select wires below.

## 10. WIRING DIAGRAM

Selection According to EN60335-1

Current i(A)	Wire Size(mm <sup>2</sup> )
$i \leq 6$	0.75
$6 < i \leq 10$	1
$10 < i \leq 16$	1.5
$16 < i \leq 25$	2.5
$25 < i \leq 32$	4
$32 < i \leq 40$	6
$40 < i \leq 63$	10
$63 < i$	*

\* In the case that current exceeds 63A, do not connect cables in series.

## 11. FIELD SETTING

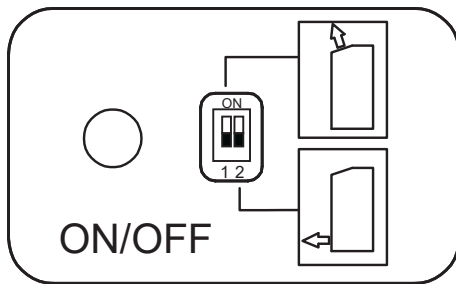
### 11. Field setting

#### 11.1 Indoor unit air flow DIP switch

Change the air flow DIP switch to ON to limit the air flow direction.

Steps:

- (1) Remove the front grille.
- (2) Switch the DIP switch on right side of the panel to ON.



Switch setting	Air flow	
	Cooling	Heating

# 11.FIELD SETTING

## 11.Field setting

### 11.2 DIP setting

DIP Switch Setting of Outdoor Unit ( 24K/36K/48K/60K )													
TURN ON all power sources before setting. Mark of "■" indicates the position of DIP switches.													
S4 Dip switch setting	S5 Dip switch setting												
<table border="1"> <tr> <td>Factory setting</td> <td> </td> </tr> <tr> <td>Pump Down Switch</td> <td> </td> </tr> <tr> <td>Forced defrosting</td> <td> </td> </tr> </table>	Factory setting		Pump Down Switch		Forced defrosting		<table border="1"> <tr> <td>Factory setting</td> <td> </td> </tr> <tr> <td>Silence mode</td> <td> </td> </tr> <tr> <td>Cooling Only</td> <td> </td> </tr> </table>	Factory setting		Silence mode		Cooling Only	
Factory setting													
Pump Down Switch													
Forced defrosting													
Factory setting													
Silence mode													
Cooling Only													

#### 1. Force defrosting mode

By default setting is OFF.

OFF -- Automatic defrosting mode

ON ---- Manual defrosting mode

Operation is valid when the dial is switched from OFF to ON state.

OPERATION:

When the outdoor unit runs in heating mode, and the dial is switched from OFF to ON, then it will run the manual defrosting mode once.

#### 2. Silence mode

By default setting is OFF.

OFF ----Normal mode.

ON---- Silence mode

Operation is valid when the dial is ON.

Silence mode:

Under the silence mode, the outdoor unit fan will run in medium fan speed at most. Under the silence mode state, if there is high pressure protection, discharge temp. protection or cooling overload protection, then it will not enter silence mode within 30 minutes.

## 11. FIELD SETTING

### 3. Pump down mode (Refrigerant cycle recover)

By default setting is OFF.

OFF ----Normal mode.

ON----Refrigerant recovery mode

Operation is valid when dial is switched from OFF to ON state.

OPERATION: When the outdoor unit runs in cooling mode, the dial is switched from OFF to ON, then it will start the refrigerant recovery mode at once.

Refrigerant recovery mode:

During refrigerant recovery mode, system low pressure protection will not occur, and compressor will stop after 3 minutes, and will turn to normal state when power is on again.

### 4. Cooling mode

By default setting is OFF.

OFF ----Normal mode.

ON---- Cooling mode

Operation is valid when dial is switched from OFF to ON state before power on.

Cooling mode

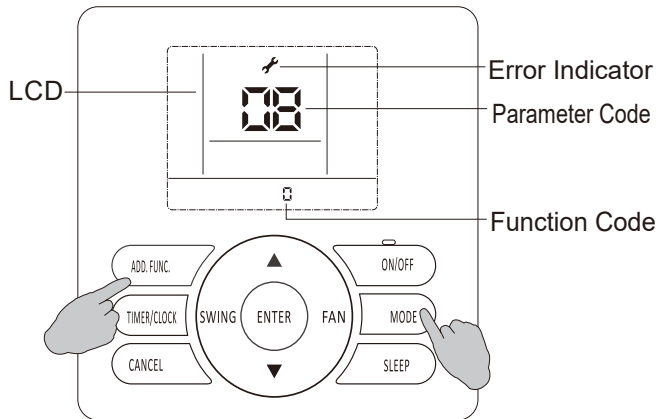
The outdoor unit will run only in cooling or dehumidification mode .

# 11. FIELD SETTING

## 11.3 ESP setting (Duct type only)

During the installation, choose proper static pressure according to the actual conditions within the range below to meet the user's requirements.

The static pressure can be freely adjusted by using specific wired remote controller.

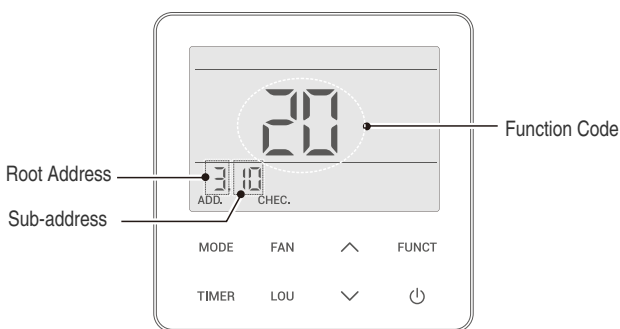


Model (Capacity Btu/h)	The Range of Static Pressure	Function Code Set
18K/24K	0-50Pa	0-50 function code value equals static pressure value, [default: 35 (35Pa)]
36K/48K/60K	0-200Pa	0-200 function code value equals static pressure value, [default: 100 (100Pa)]

YXE-C01U1(E)/YXE-C02U1(E)

### Static pressure setting:

- 1 Hold down both "MODE" button and "ADD.FUNC." button for 3 seconds, symbol ⚡ and parameter code blink at the same time.
- 2 Press "▲/▼" button to adjust parameter number until "17" displays, and press "ENTER" button to enter system parameter adaption state, symbol ⚡ stops blinking.
- 3 Select desired parameter code 10 by pressing "▲/▼" button, and press "ENTER" button to confirm.
- 4 Select desired function code to rewrite the parameter values by pressing "▲/▼" button, and press "ENTER" button to confirm.
- 5 Press "ON/OFF" button or "CANCEL" button to quit.



YXE-E01U(E)

### Static pressure setting:

- 1 Press both "FUNCT" button and "MODE" button for 3 seconds, to enter the parameter self-setting state. Then, icon "ADD." and "CHEC." will be always on.
- 2 Press "MODE/TIMER" button to set root address as "3".
- 3 Press the "FAN"/"LOU" button to increase or decrease the sub-address, and select the desired sub-address value 10.
- 4 Press the "▲"/"▼" button to select desired parameters, and press "FUNCT" button to confirm.
- 5 Press ⏻ button to quit.

If you still have any trouble, please contact local technical service center of our company for further information.

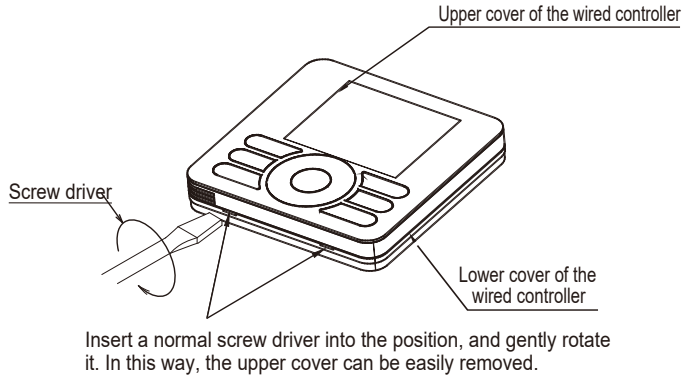
# 11. FIELD SETTING

## 11.4 Indoor unit parameter revision

Internal control parameter adjustment can be performed using wired controller.

### 1) Connecting wired controller with the indoor unit

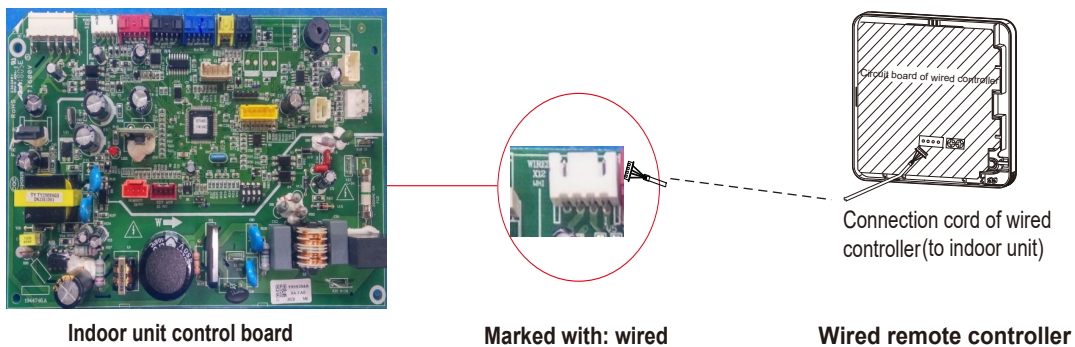
Step 1: Remove the upper cover of the wired controller



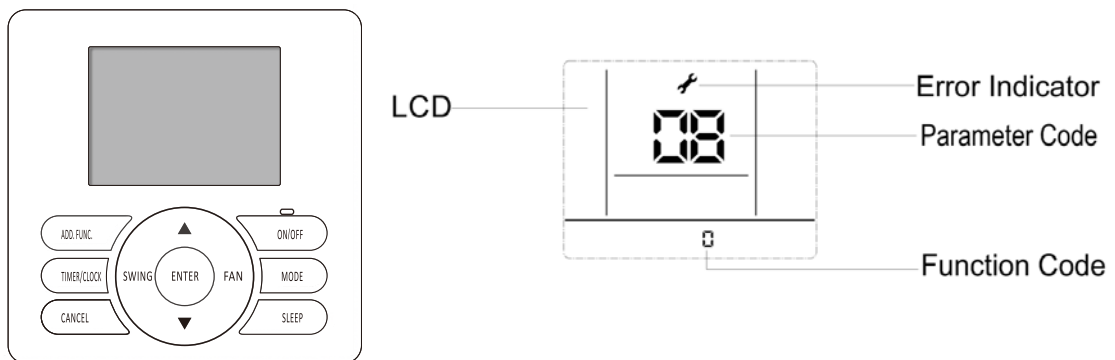
**NOTE:**

Control board of the remote controller is placed on upper cover. Please protect it from being scratched during removal and installation!

Step 2: Connect the wired controller with the indoor unit



### 2) Changing system parameter



**OPERATION:**

- ① Hold down both “MODE” button and “ADD.FUNC.” button for 3 seconds, symbol and parameter number blink at the same time.
- ② Press “▲” “▼” button to adjust parameter number until “17” is displayed. And press “ENTER” button to enter system parameter adaption state, and symbol stops blinking, parameter number blinks.
- ③ Select desired parameter code by pressing “▲”/ “▼” button following the table below, and press “ENTER” button to confirm.
- ④ Select desired function code by pressing “▲”/ “▼” button, and press “ENTER” button to confirm.



## 11. FIELD SETTING

PARAMETER CODE	PARAMETER DESCRIPTION	PARAMETER VALUE&REPRESENTATION		NOTE
		DATA TYPE	REPRESENTATION (FUNCTION CODE)	
1	Self Recovery of Power Break	Integer	0: Cancel Self Recovery of Power Break function; 1: Self Recovery of Power Break; others: invalid	
2	Temperature Type	Integer	0: Centigrade Temperature; 1: Fahrenheit Temperature; others: invalid	
3	Temperature Display Type	Integer	0: Default display set temperature; 1: Default display room temperature; others: invalid	
4	Ratio of ambient temperature sensed by indoor temperature sensor(cooling mode)	Integer	0~10valid, more than 10 default is10 0: 0%; 1: 10%; ...; 10: 100%	0-entirely use. temperature.sensed by wired.remote controller;.10-entirely use.temperature.sensed by indoor.unit
5	Filter Clean Indication	Integer	0: Cancel Filter Clean prompt function; 1: Set Filter Clean prompt function; others: invalid	
6	Filter Clean Time Set	Integer	0~32, more than 32 default is 32*1000h	
7	Installation Height Compensation	Integer	0~10m, more than 10m default is 10. =0,1,2 :no fan speed compensation; =3: increase fan speed; =4~10: increase more fan speed.	
8	Cooling Temperature Compensation (indoor unit temperature sensor)	Integer	0 :0°C ; 1 :-0.5°C ; 2 :-1°C ; 3 :-1.5°C ; 4 :-2°C ; 5 :-2.5°C ; 6 :-3°C ; 7 :-3.5°C ; 8 :-4°C ; 9 :-4.5°C ; 10 :-5°C.(the wired controller displays integer with the symbol)	
9	Heating Temperature Compensation (indoor unit temperature sensor)	Integer	0 :0°C ; 1 :-0.5°C ; 2 :-1°C ; 3 :-1.5°C ; 4 :-2°C ; 5 :-2.5°C ; 6 :-3°C ; 7 :-3.5°C ; 8 :-4°C ; 9 :-4.5°C ; 10 :-5°C.(the wired controller displays integer with the symbol)	
10	Static Pressure Set	Integer	1~240, function code=static pressure more than the limit static pressure default the limit static pressure, Default is 0( default static pressure, related to models )	Duct type (DC motor )
12	Ratio of temperature sensed by indoor temperature sensor( Heating mode)	Integer	0~10valid, more than 10 default is10 0: 0%; 1: 10%; ...; 10: 100%	0-entirely use. temperature.sensed by wired.remote controller;.10-entirely use.temperature sensed by indoor unit
13	Temperature Adjustment-Cooling	Character	-10~10°C (Single Character with symbol)	Temperature displayed on wired controller
14	Temperature Adjustment-Heating	Character	-10~10°C (Single Character with symbol)	Temperature displayed on wired controller

## 11. FIELD SETTING

PARAMETER CODE	PARAMETER DESCRIPTION	PARAMETER VALUE&REPRESENTATION		NOTE
		DATA TYPE	REPRESENTATION (FUNCTION CODE)	
25	Access control, fire protection, ON/OFF function set	Integer	=0, Access control, fire protection functions are all invalid; =1, Access control1 function is valid; =2, fire protection function is valid; =3, Access control1, fire protection are all valid; =4, ON/OFF1 function is valid; =5, ON/OFF2 function is valid; =6, Access control2, fire protection are all valid; =7, Access control3, fire protection are all valid;	
26	Constant air volume	Integer	0: Constant air volume function is invalide; 1: Constant air volume function is valid.	
27	Hi-NANO function	Integer	0: Hi-NANO function is valid; 1: Hi-NANO function is invalid.	
28	Deep cool mode	Integer	0: Deep cool mode is invalid; 1: Deep cool mode is valid.	

# 11. FIELD SETTING

## 11.5 Running Parameter Check

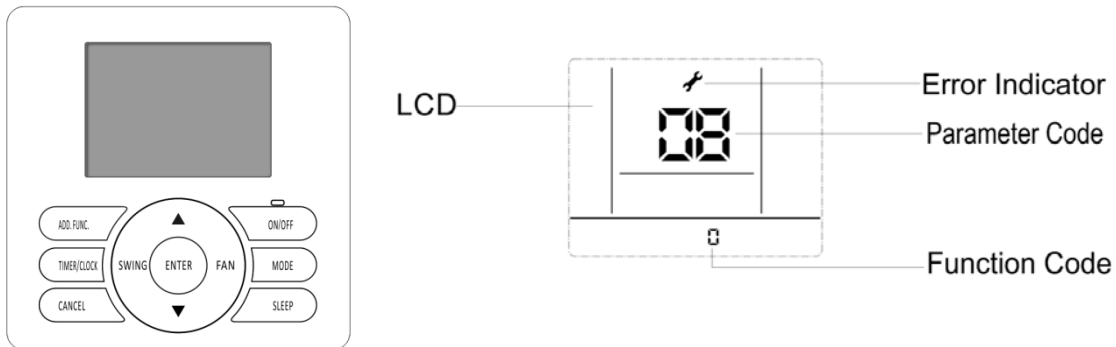
Running parameter can be referred to by 7 segment display or specified wired remote controller.

### Check by wired controller

Operation:

1. Connect wired controller with indoor unit (same method with Indoor unit parameter revision)
2. Change the system parameter

MODEL: YXE-C01U1(E)



### OPERATION:

- (1) Hold down both "MODE" button and "ADD.FUNC." button for 3 seconds, symbol and parameter number blinks at the same time.
- (2) Press "▲" "▼" button to select parameter number as you need, parameter value will be displayed on the LCD.

MODEL: YXE-E01U(E)



### OPERATION:

- (1) Hold down both "MODE" button and "FUNC" button for 3 seconds, then the "CHEC." and "ADD." icon will be always on.
- (2) Press "MODE" / "TIMER" button to increase/decrease the root address as 2.
- (3) Press "FAN" / "LOU" button to increase/decrease the sub-address, and select the desired sub-address value.

## 11. FIELD SETTING

Parameter Code	Parameter Description
06	Indoor unit air inlet temperature
07	Indoor unit coil sensor temperature
08	Outdoor unit ambient sensor temperature
09	Discharge temperature
10	Suction temperature
11	Outdoor coil temperature
12	Discharge pressure
13	Suction pressure
14	Outdoor EEV opening
15	AC current input
16	AC voltage
24	Error code
25	Drive error code
26	Indoor unit air outlet temperature
28	Compressor current
29	Indoor unit room temperature
30	Indoor unit coil inlet temperature
31	Indoor unit coil outlet temperature
32	Outdoor unit condenser inlet temperature
33	Outdoor unit condenser outlet temperature
43	Outdoor unit defrost temperature
57	Outdoor fan 1 speed
58	Outdoor fan 2 speed
60	Indoor fan speed

## 11. FIELD SETTING

### 11.6 Instructions for the function setting of access control, fire protection, ON/OFF

#### 11.6.1 Factory setting

In case of using or canceling the access control / fire protection function, use the wired controller to modify the parameters of indoor unit.

NOTE: please refer to "Site Setting" section in TC Manual for how to use the wired controller to modify the parameters of indoor unit.

#### 11.6.2 Function introduction

(1 Access control: a kind of control mode to control the machine startup & shutdown based on the on & off state of the access control port.

(2 Fire protection: a kind of control mode to control the machine startup & shutdown based on the on & off state of the fire protection port.

#### 11.6.3. Function setting

(1 Hardware connection



Figure 1 short wiring

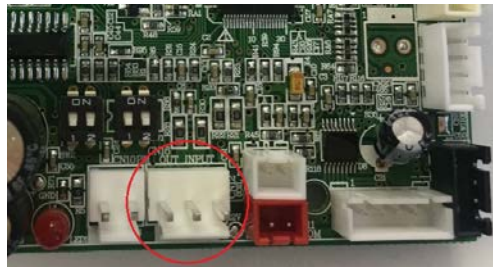


Figure 2 main control board

3 pins of the OUT INPUT (CN16 or according to the wiring diagram) socket shown in the electrical wiring diagram are tacitly approved to be in short circuit state under the factory state (an external short circuit plug shown as Figure 1), and the OUT INPUT CN16 socket of main control board is shown as Figure 2 (Illustration: the socket number in circuit is subject to the actual serial number of PCB.)

- 1) When using the door lock function, the user cuts off the red short wire shown in Figure 1 and accesses the door lock control switch (supplied by user), and the connecting wire should be 22AWG or above specification. The door lock switch is closed under normal conditions and off under abnormal conditions.
- 2) When using the fire protection function, the user cuts off the white short wire shown in Figure 1 and accesses the fire protection control switch (supplied by user), and the connecting wire should be 22AWG or above specification. The protection control switch is closed under normal conditions and off under abnormal conditions.

(2) Timing sequence description:

## 11. FIELD SETTING

- Access control

Access control1:

1) Control of entrance card disconnection:

The air conditioner shall be shut down after the access control signal is disconnected for 30 seconds. In this state, the indoor unit can't be started. If the user performs starting operation, the wired controller shall not respond and displays power-off.

2) Control of entrance card connection: After the short circuit of entrance card interface, release power-on restrictions, the wire controller maintains power-off and the startup & shutdown control is effective.

Access control2:

1) Control of entrance card disconnection:

The air conditioner shall be shut down after the access control signal is disconnected for 30 seconds. In this state, the indoor unit can't be started. If the user performs starting operation, the wired controller shall not respond and displays power-off.

2) Control of entrance card connection: After the short circuit of entrance card interface, release power-on restrictions, the air conditioner shall return to its previous state, and the controllers maintains power-off and the startup & shutdown control is effective.

Access control3:

1) Control of entrance card disconnection:

The air conditioner shall be shut down after the access control signal is disconnected for 30 seconds if it was on shutdown state before, otherwise, the indoor unit will be set as low fan speed mode, and the temperature shall be set to 22°C in heating mode or 26°C in other modes.

2) Control of entrance card connection: after the short circuit of entrance card interface, release power-on restrictions, the air conditioner shall return to its previous state, and the controllers maintains power-off and the startup & shutdown control is effective.

- Fire protection

1) Access to fire protection: the air conditioner shall be shut down and not blow waste cold or warm air after the access control signal is disconnected for 3 seconds. In this state, the indoor unit can't be started. If the user performs starting operation, the wire controller shall not respond and displays power-off.

2) Cancellation of fire protection: after the short circuit of fire protection signal, release power-on restrictions, the wire controller maintains power-off and the startup & shutdown control is effective.

### **(3) Relative priorities of instructions**

Access control and fire prevention functions shall not affect each other.

# 11. FIELD SETTING

- ON/OFF1

- 1) In the situation where ON/OFF1 function is enabled, the port is closed and in short circuit, the indoor unit starts; the indoor unit shuts down once the port is disconnected;
- 2) Other operation information (such as mode, air speed, air door, and so on.) except for startup & shutdown can be set through the wired controller, remote-controller and WIFI module, priority is given to the latest command received.
- 3) In the mode of ON/OFF1 function, wired controller, remote-controller, WIFI module and access control cannot control the unit startup & shutdown, neither the operation mode, timer or sleeping mode.
- 4) Relative priorities of instructions:  
ON/OFF1 has the highest priority. The access control function shall be disabled when ON/OFF1 is enabled.

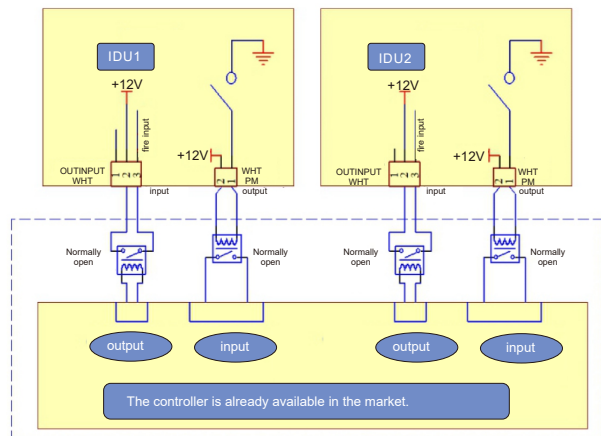
- ON/OFF2

- 1) In the situation where ON/OFF2 function is enabled, the indoor unit starts with the action of the port is from closed(in short circuit) to disconnected; the indoor unit shuts down with the action of the port is from disconnected to closed;
- 2) In the mode of ON/OFF2 function, startup & shutdown is the same as other operation(such as mode, air speed, air door, and so on.) can be set through the wired controller, remote-controller and WIFI module, priority is given to the latest command received.

Notes: There will be 12V signal output when machine fault occurs.



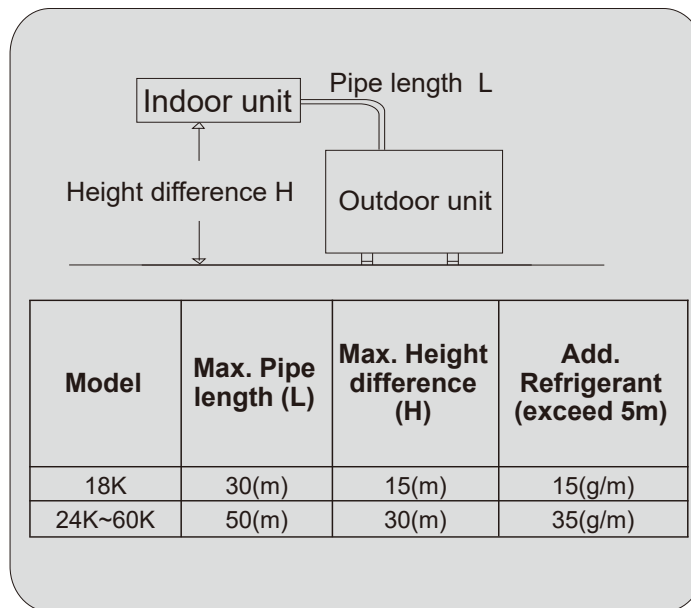
Output Input



## 12. PIPING WORK AND REFRIGERANT CHARGE

### 12. Piping work and refrigerant charge

#### 12.1 MAX. length allowed



#### Refrigerant Additional Charge

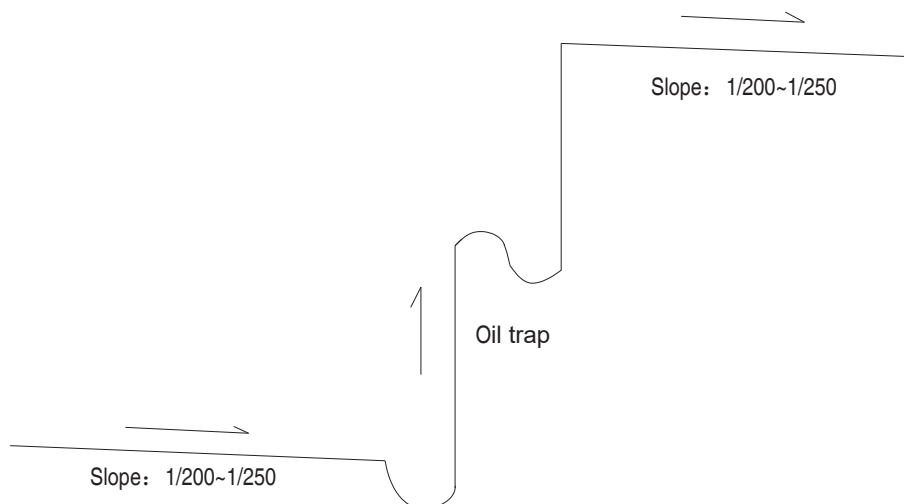
The unit has been filled with refrigerant, but if the pipe exceeds 5m, additional refrigerant (R410a) charge is required.

For 18K: Additional refrigerant charge  $= (L-5) \times 15\text{g/m}$

For 24K~60K: Additional refrigerant charge  $= (L-5) \times 35\text{g/m}$

#### 12.2 Oil trap

When the indoor unit is lower than outdoor unit and height difference is larger than 5m, install an oil trap every 5m (height difference) on suction piping.



#### NOTE:

1. To avoid storing too much oil in the oil trap, the oil trap should be as short as possible.
2. The horizontal piping should slope down along the refrigerant flow direction, to bring the oil back to compressor, the slope is about 1/200 to 1/250.
3. To ensure better performance of cooling/heating, the refrigerant piping should be short and straight as much as possible.

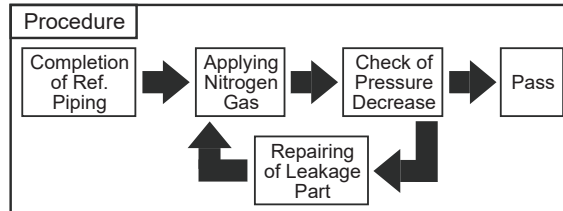


## 12. PIPING WORK AND REFRIGERANT CHARGE

### 12.3 Air tight test

Do use nitrogen when performe air-tight test.

Connect the gauge manifold using charging hoses with a nitrogen cylinder to the check joints of the liquid line and the gas line stop valves. Perform the air-tight test. Don't open the gas line stop valves. Apply nitrogen gas pressure of 4.3MPa. Check for any gas leakage at the flare nut connections, or brazed parts by gas leakage detector or foaming agent. It is OK if gas pressure does not decrease. After the air tight test, release nitrogen gas.



## 12. PIPING WORK AND REFRIGERANT CHARGE

### 12.4 Additional refrigerant charge

Although refrigerant has been charged into this unit, additional refrigerant charge is required according to piping length.

- The additional refrigerant precharge quantity should be determined and charged into the system according to the following procedure.
- Record the additional refrigerant quantity in order to facilitate maintenance and servicing activities.

Refrigerant charge before shipment (W0 (kg))

W0 is the outdoor unit refrigerant charge before shipment;

Xg is additional refrigerant outdoor unit needed to charge according to piping length during installation.

Model	Refrigerant precharged before shipment (W0(g))	Total refrigerant pipe length	
		0m~5m	Longer than 5m
18K	1500	0g	$Xg = 15g / m \times (\text{Total pipe length}(m) - 5)$
24K	1700	0g	$Xg = 35g / m \times (\text{Total pipe length}(m) - 5)$
36K	2400	0g	$Xg = 35g / m \times (\text{Total pipe length}(m) - 5)$
48K	3800	0g	$Xg = 35g / m \times (\text{Total pipe length}(m) - 5)$
60K	4000	0g	$Xg = 35g / m \times (\text{Total pipe length}(m) - 5)$

## 13. INSTALLATION TOOLS AND INSTALLATION FLOW CHART

### 13.1 Necessary tools and instrument list for installation

No.	Tool	No.	Tool	No.	Tool	No.	Tool
1	Handsaw	6	Copper Pipe Bender	11	Spanner	16	Leveler
2	Phillips Screwdriver	7	Manual Water Pump	12	Charging Cylinder	17	Clamper for Solderless Terminals
3	Vacuum Pump	8	Pipe Cutter	13	Gauge Manifold	18	Hoist (for Indoor Unit)
4	Refrigerant Gas Hose	9	Brazing Kit	14	Cutter for Wires	19	Ammeter
5	Megohmmeter	10	Hexagon Wrench	15	Gas Leak Detector	20	Voltage Meter

Use specified tools and measuring instruments when they have direct contact with refrigerant.

◇: Interchangeability is available with R410A

●: Only for Refrigerant R32

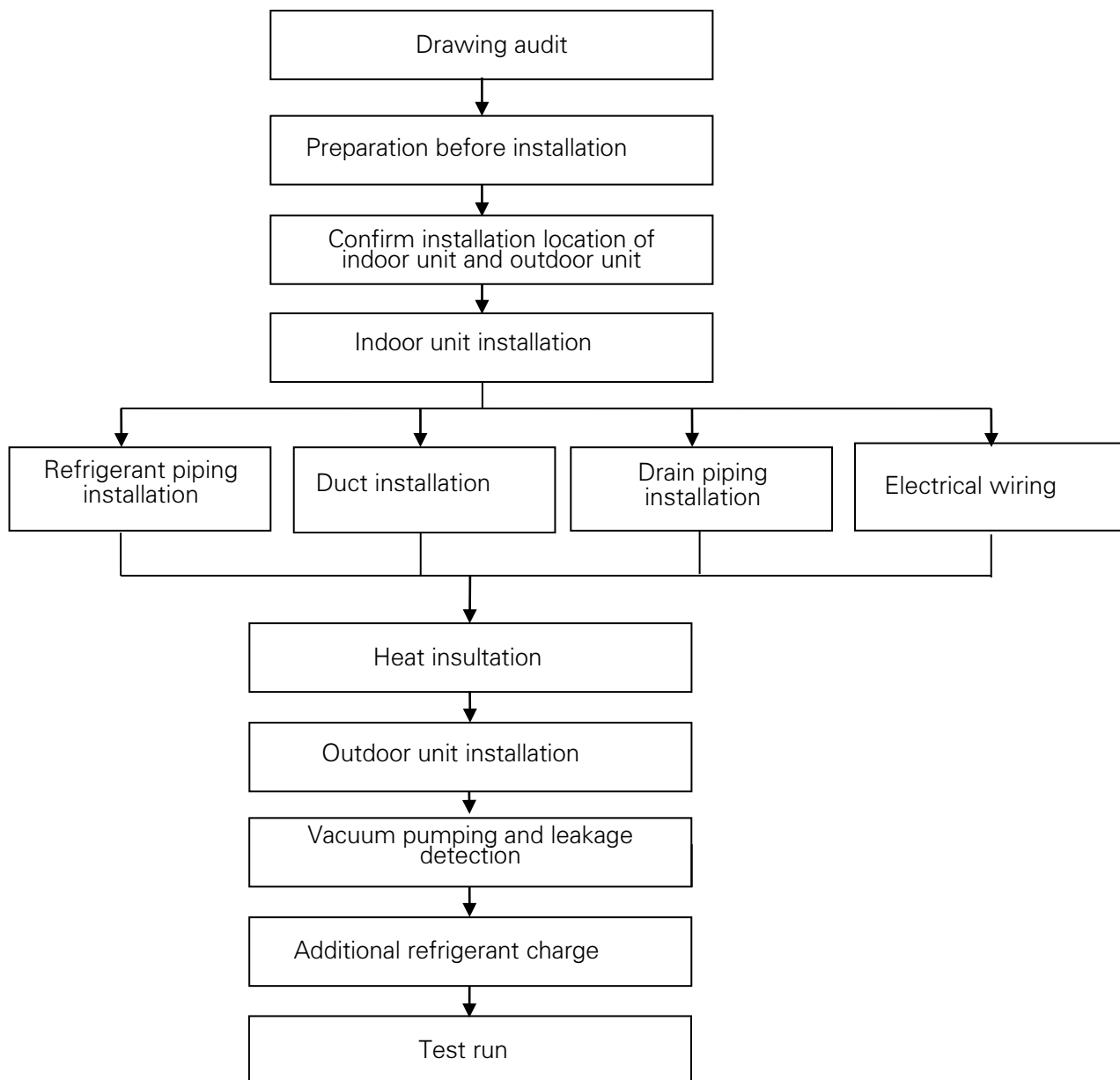
×: Prohibited

◆: Only for Refrigerant R22

Measuring Instrument and Tool for R410A		R32	R22	Reason of Non-Interchangeability and Attention (*: Strictly Required)	Use
Refrigerant Pipe	Pipe Cutter Chamfering Reamer	◇	◇	-	Cutting Pipe Removing Burrs
	Flaring Tool	◇	◇	* The flaring tools for R32 are applicable to R22/R410A. * If using flaring tube, make dimension of tube larger for R410A. * In case of material 1/2H, flaring is not available.	Flaring for Tubes
	Pipe Bender	◇	◇	* In case of material 1/2H, bending is not available. Use elbow for bend and braze.	Bending
	Expanding Tool	◇	◇	* In case of material 1/2H, expanding of tube is not available. Use socket for connecting tube.	Expanding Tubes
	Torque Wrench	◇	××	* For $\phi$ 1/2, $\phi$ 5/8, spanner size is up 2mm.	Connection of Flare Nut
		◇	◇	* For $\phi$ 1/4, $\phi$ 3/8, $\phi$ 3/4, spanner size is the same.	
	Brazing Tool	◇	◇	* Perform correct brazing work.	Brazing for Tubes
	Nitrogen Gas	◇	◇	* Strict Control against Contamin (Blow nitrogen during brazing.)	Prevention from Oxidation during Brazing
Lubrication Oil (for Flare Surface)	●	◆	* Use a synthetic oil which is equivalent to the oil used in the refrigeration cycle. * Synthetic oil absorbs moisture quickly.	Applying Oil to the Flared Surface	
Vacuum Drying & Refrigerant Charge	Refrigerant Cylinder	×	×	* Check refrigerant cylinder color. * Liquid refrigerant charging is required regarding zeotropic refrigerant. * Use the weight scale.	Refrigerant Charging
	Vacuum Pump	◇	◇	* The current ones are applicable. However, it is required to mount a vacuum pump adapter which can prevent from reverse flow when a vacuum pump stops, resulting in no reverse oil flow.	Vacuum Pumping
	Adapter for Vacuum Pump	◇	◆		
	Manifold Valve	◇	◆	* No interchangeability is available due to higher pressures when compared with R22. * Do not use current ones to the different refrigerant. If used, mineral oil will flow into the cycle and cause sludges, resulting in clogging or compressor failure.	Vacuum Pumping, Vacuum Holding, Refrigerant Charging and Check of Pressures
	Charging Hose	◇	×	* Connection diameter is different; R32/R410A: UNF1/2, R22: UNF7/16.	
	Weight Scale	◇	◇		Measuring Instrument for Refrigerant Charging
	Refrigerant Gas Leakage Detector	×	×	* The current gas leakage detector (R22) is not applicable due to different detecting method.	Gas Leakage Check

# 13. INSTALLATION TOOLS AND INSTALLATION FLOW CHART

## 13.2 Installation flow chart



NOTE: This flow is only for reference; for detailed information, please see installation manual section.

## 14. CONTROL MODE

### 14. Control mode

#### 14.1 Indoor unit mode control

##### 1. Main general technical parameters

- (1) Remote receiver distance: 8 m.
- (2) Remote receiver angle: Less than 80 degrees.
- (3) Temperature control accuracy:  $\pm 1^{\circ}\text{C}$ .
- (4) Time error: Less than 1%.

##### 2. Functions of the control function

###### 2.1 Emergency switch

Pressing the emergency button can realize the starting or stopping of the machine, starting up according to the automatic mode of operation.

Press this button to turn ON the unit, the machine will run in auto mode, and press it again to turn it off.

When the machine is OFF, press and hold the emergency switch for 5 seconds, with 3 beeps, the indoor unit would turn to emergency running. In such situation, machine would be forced to turn to cooling operation with high speed, the flaps sweep and the machine's operation is irrelevant with room temperatures.

If a remote signal has been received during the emergency run, the machine will operate upon the command of such a remote signal.

###### 2.2 Operator-machine communication

Air conditioning and remote controller is provided with a temperature sensor. The remote controller on the temperature sensor detects the default settings of room temperature at room temperature. If the indoor control unit has not received remote control signal for a long time, it will automatically switch to the air conditioner body temperature sensor.

###### 2.3 Timer function

###### (1) Timer ON

When set to start in a time by the remote controller, the air conditioner starts in the Timer ON condition. When the set time is up, the air conditioner will turn on and operates in the preset conditions after receiving a signal from the remote controller. If the air conditioner has not received a signal from the remote controller when the set time is up, it will automatically start and operate in the preset conditions.

###### (2) Timer OFF

When set to stop in a set time by the remote controller, the air conditioner will start in the Timer OFF condition. When the set time is up, the air conditioner will turn off after receiving a signal from the remote controller. If the air conditioner has not received a signal from the remote controller when the set time is up, it will turn off automatically.

(3) Neither the turning on nor turning off operation will cancel the timer function.

## 14. CONTROL MODE

### 2.4 Sleep

- (1) In the heating, cooling or dehumidifying mode, press the "Sleep" button on the remote controller to start or cancel the sleep function in turn, and at the same time the sleep icon on the display screen will be on or off accordingly.
- (2) In the heating mode, the set temperature will decrease automatically after the sleep function is started.
- (3) In the cooling mode, the set temperature will rise automatically after the sleep function is started.
- (4) By default, the setting is to cancel the sleep function. Turning off the unit will also cancel the sleep function.

### 2.5 Highly efficient run function (only for some remote controller)

In Cooling, Dehumidification, Fan mode, press the "HIGH POWER " to enter the refrigeration mode, set the temperature automatically adjusting to the lowest temp; the Fan speed is powerful speed; frequency is high frequency operation.

In heating mode, press the "HIGH POWER" to enter the refrigeration mode, set the temperature automatically adjusting to the highest temp.; the Fan speed is powerful speed; frequency is high frequency operation.

Mute function (only for some remote controller)

In the indoor unit operation mode, you may turn on or turn off mute function with mute key. The air conditioner will run with mute fan speed in mute mode.

### 2.6 Cooling wind prevention mode

In the heating-run, to prevent the indoor fan from blowing cold air, the indoor fan will stop or run slowly until the coil is warm.

### 2.7 Blowing waste heating and waste cooling function

In the heating mode, when the air conditioner is turned off, the indoor heat exchanger temperature is still higher, so the air conditioner will continue to run the waste heat operation.

In cooling and dehumidification mode, after the compressor stops, indoor unit will continue to set the speed of operation for a period of time.

### 2.8 Dehumidifying method:

If remote control setting is in dehumidifying mode, indoor unit is forced to run at low speed (high power key or a strong bond also maintains a low wind speed), and the outdoor unit runs according to the refrigeration mode operation.

### 2.9 Auto re-start from power break

When the power supply is recovered after a failure, all presets are still effective and the air conditioner can run according to the previous setting.

How to set/cancel:

It can be set /cancelled with the wired remote controller.

For details, see internal control parameter adjustment.

## **14. CONTROL MODE**

### 2.10 Fault code

The fault code can be shown by LED lamps or will display on the wired controller.

### 2.11 Filter cleaning

FC will light up when air filter is clogged with dust.

How to set/cancel: It can be set /cancelled with the wired remote controller.

For details, see internal control parameter adjustment.

## 14. CONTROL MODE

### 14.2 Outdoor unit mode control

#### Control function

#### 1. Cooling anti-freeze protection

The indoor coil sensor functions as real time temperature detector of evaporator. It prevents the indoor unit evaporator temperature becoming too low. If the indoor coil temperature is too low, the compressor will automatically start the protection mode.

#### 2. Overload protection

To prevent system overload caused by excessive pressure, the machine will implement real-time detection when outdoor coil temperature is too high during cooling mode or indoor coil temperature is too high during heating mode.

#### 3. Exhaust temperature protection

To prevent deterioration due to high exhaust temperature of compressor, the machine will realize the real-time detection of the exhaust gas temperature. If the temperature is too high, the compressor will come to automatic protection mode.

#### 4. Oil-return control

When the compressor runs at low frequency for a long time, the control system will start the oil-return mechanism. The oil in the system returns to the compressor.

#### 5. Operation mode

Air conditioning mode is the operation mode set by users through remote controller, four modes are available: cooling, heating, dehumidification, and fan mode.

#### 6. Four-way valve control

Four-way valve of the outdoor unit shuts down in cooling and defrosting mode but starts in heating mode. During the heating process, the four-way valve stops working for a period of time after the compressor is disconnected.

#### 7. Start-up protection

To prevent compressor from restarting frequently when the system pressure has not been completely balanced, and it cannot be restarted within 3 minutes.

#### 8. Pressure protection

When the pressure increases to a preset value, the pressure switch will automatically protect the unit. The compressor will stop and report the fault code protection.



## 15. SENSOR PARAMETER

### 15. Sensor parameter

#### 1. THE PARAMETER OF OUTDOOR COMPRESSOR DISCHARGE TEMPERATURE

SENSOR:

( $R_0=187.25K\pm 6.3\%$ ;  $R_{100}=3.77K\pm 2.5K$ ;  $B0/100=3979K\pm 1\%$ )

T [°C]	Rmin [ KΩ ]	Rnom [ KΩ ]	Rmax [ KΩ ]	DR(MIN)%	DR(MAX)%
-30	908.2603	985.5274	1065.1210	-7.84	7.47
-29	855.3955	927.6043	1001.9150	-7.78	7.42
-28	805.9244	873.4324	924.8368	-7.73	5.56
-27	759.6097	822.7471	887.5944	-7.67	7.31
-26	716.2320	775.3041	835.9165	-7.62	7.25
-25	675.5881	730.8775	787.5529	-7.56	7.20
-24	637.4902	689.2583	742.2720	-7.51	7.14
-23	601.7645	650.2533	699.8601	-7.46	7.09
-22	568.2499	613.6835	660.1191	-7.40	7.03
-21	536.7970	579.3832	622.8658	-7.35	6.98
-20	507.2676	547.1989	587.9307	-7.30	6.93
-19	497.5332	516.9882	555.1565	-3.76	6.88
-18	453.4748	488.6192	524.3977	-7.19	6.82
-17	428.9819	461.9693	495.5191	-7.14	6.77
-16	405.9517	436.9251	486.3954	-7.09	10.17
-15	384.2888	413.3808	442.9105	-7.04	6.67
-14	363.9047	391.2386	418.9563	-6.99	6.62
-13	344.7169	370.4072	396.4325	-6.94	6.56
-12	326.6497	350.8019	375.2461	-6.88	6.51
-11	309.6286	332.3441	355.3104	-6.83	6.46
-10	293.5903	314.9620	336.5448	-6.79	6.41
-9	278.4719	298.5822	318.3744	-6.74	6.22
-8	264.2156	283.1464	302.2294	-6.69	6.31
-7	250.7678	268.5936	286.5448	-6.64	6.26
-6	238.0783	254.8686	271.7603	-6.59	6.22
-5	226.1003	241.9200	257.8193	-6.54	6.17
-4	214.7903	229.6997	244.6593	-6.49	6.11
-3	204.1073	218.1630	232.2612	-6.44	6.07
-2	194.0135	207.2681	220.5495	-6.39	6.02
-1	184.4732	196.9759	209.4913	-6.35	5.97
0	175.4533	187.2500	199.0468	-6.30	5.93
1	166.8952	178.0255	189.1529	-6.25	5.88
2	158.8023	169.3067	179.8058	-6.20	5.84
3	151.1467	161.0633	170.9724	-6.16	5.80
4	143.9026	153.2667	162.6216	-6.11	5.75
5	137.0455	145.8905	154.7246	-6.06	5.71
6	130.5528	138.9097	147.2544	-6.02	5.67
7	124.4033	132.3011	140.1856	-5.97	5.62
8	118.5769	126.0429	133.4946	-5.92	5.58
9	113.0550	120.1146	127.1591	-5.88	5.54
10	107.8202	114.4973	121.1586	-5.83	5.50
11	102.8560	109.1728	115.4734	-5.79	5.46
12	98.1470	104.1246	110.0855	-5.74	5.41
13	93.6787	99.3367	104.9778	-5.70	5.37
14	89.4378	94.7946	100.1342	-5.65	5.33
15	85.4114	90.4842	95.5398	-5.61	5.29
16	81.5875	86.3926	91.1805	-5.56	5.25
17	77.9551	82.5076	87.0430	-5.52	5.21
18	74.5034	78.8177	83.1150	-5.47	5.17

## 15. SENSOR PARAMETER

T [°C]	Rmin [ KΩ ]	Rnom [ KΩ ]	Rmax [ KΩ ]	DR(MIN)%	DR(MAX)%
19	71.2227	75.3122	79.3848	-5.43	5.13
20	68.1036	71.9808	75.8414	-5.39	5.09
21	65.1373	68.8141	72.4746	-5.34	5.05
22	62.3155	65.8032	69.2746	-5.30	5.01
23	59.6306	62.9395	66.2324	-5.26	4.97
24	57.0752	60.2152	63.3395	-5.21	4.93
25	54.6424	57.6227	60.5877	-5.17	4.89
26	52.3258	55.1551	57.9695	-5.13	4.85
27	50.1192	52.8058	55.4778	-5.09	4.82
28	48.0168	50.5684	53.1058	-5.05	4.78
29	46.0133	48.4371	50.8472	-5.00	4.74
30	44.1034	46.4046	48.6960	-4.96	4.71
31	42.2825	44.4711	46.6466	-4.92	4.66
32	40.5458	42.6261	44.6937	-4.88	4.63
33	38.8891	40.8668	42.8323	-4.84	4.59
34	37.3084	39.1890	41.0576	-4.80	4.55
35	35.7998	37.5883	39.3653	-4.76	4.51
36	34.3596	36.0609	37.7511	-4.72	4.48
37	32.9844	34.6030	36.2109	-4.68	4.44
38	31.6710	33.2113	34.7412	-4.64	4.40
39	30.4164	31.8823	33.3383	-4.60	4.37
40	29.2176	30.6130	31.9988	-4.56	4.33
41	28.0718	29.4004	30.7197	-4.52	4.29
42	26.9765	28.2417	29.4979	-4.48	4.26
43	25.9293	27.1342	28.3306	-4.44	4.22
44	24.9277	26.0755	27.2150	-4.40	4.19
45	23.9697	25.0632	26.1488	-4.36	4.15
46	23.0530	24.0950	25.1293	-4.32	4.12
47	22.1757	23.1688	24.1545	-4.29	4.08
48	21.3360	22.2826	23.2221	-4.25	4.05
49	20.5321	21.4345	22.3301	-4.21	4.01
50	19.7623	20.6226	21.4766	-4.17	3.98
51	19.0261	19.8468	20.6612	-4.14	3.94
52	18.3211	19.1040	19.8808	-4.10	3.91
53	17.6458	18.3926	19.1338	-4.06	3.87
54	16.9986	17.7113	18.4185	-4.02	3.84
55	16.3784	17.0537	17.7335	-3.96	3.83
56	15.7839	16.4332	17.0774	-3.95	3.77
57	15.2139	15.8338	16.4488	-3.92	3.74
58	14.6673	15.2592	15.8464	-3.88	3.71
59	14.1430	14.7083	15.2690	-3.84	3.67
60	13.6400	14.1799	14.7154	-3.81	3.64
61	13.1573	13.6730	14.1846	-3.77	3.61
62	12.6941	13.1868	13.6756	-3.74	3.57
63	12.2494	12.7202	13.1872	-3.70	3.54
64	11.8224	12.2723	12.7186	-3.67	3.51
65	11.4124	11.8424	12.2690	-3.63	3.48
66	11.0185	11.4295	11.8373	-3.60	3.45
67	10.6401	11.0331	11.4230	-3.56	3.41
68	10.2765	10.6522	11.0251	-3.53	3.38
69	9.9271	10.2863	10.6429	-3.49	3.35
70	9.5912	9.9348	10.2756	-3.46	3.32
71	9.2682	9.5968	9.9231	-3.42	3.29
72	8.9576	9.2720	9.5841	-3.39	3.26
73	8.6589	8.9597	9.2583	-3.36	3.23
74	8.3716	8.6594	8.9451	-3.32	3.19

## 15. SENSOR PARAMETER

T [°C]	Rmin [ KΩ ]	Rnom [ KΩ ]	Rmax [ KΩ ]	DR(MIN)%	DR(MAX)%
75	8.0951	8.3705	8.6440	-3.29	3.16
76	7.8290	8.0926	8.3544	-3.26	3.13
77	7.5730	7.8252	8.0758	-3.22	3.10
78	7.3264	7.5679	7.8078	-3.19	3.07
79	7.0891	7.3202	7.5499	-3.16	3.04
80	6.8605	7.0818	7.3018	-3.12	3.01
81	6.6403	6.8522	7.0629	-3.09	2.98
82	6.4282	6.6311	6.8329	-3.06	2.95
83	6.2239	6.4182	6.6115	-3.03	2.92
84	6.0269	6.2131	6.3982	-3.00	2.89
85	5.8371	6.0154	6.1928	-2.96	2.86
86	5.6542	5.8249	5.9949	-2.93	2.84
87	5.4777	5.6413	5.8042	-2.90	2.81
88	5.3076	5.4644	5.6205	-2.87	2.78
89	5.1435	5.2937	5.4433	-2.84	2.75
90	4.9853	5.1292	5.2726	-2.81	2.72
91	4.8326	4.9705	5.1079	-2.77	2.69
92	4.6852	4.8174	4.9492	-2.74	2.66
93	4.5430	4.6697	4.7960	-2.71	2.63
94	4.4058	4.5272	4.6483	-2.68	2.61
95	4.2733	4.3896	4.5058	-2.65	2.58
96	4.1453	4.2568	4.3683	-2.62	2.55
97	4.0218	4.1287	4.2355	-2.59	2.52
98	3.9024	4.0049	4.1074	-2.56	2.50
99	3.7872	3.8854	3.9837	-2.53	2.47
100	3.6758	3.7700	3.8643	-2.50	2.44
101	3.5661	3.6585	3.7512	-2.53	2.47
102	3.4601	3.5509	3.6419	-2.56	2.50
103	3.3577	3.4468	3.5362	-2.59	2.53
104	3.2588	3.3463	3.4341	-2.61	2.56
105	3.1632	3.2491	3.3353	-2.64	2.58
106	3.0708	3.1551	3.2398	-2.67	2.61
107	2.9816	3.0643	3.1475	-2.70	2.64
108	2.8953	2.9765	3.0582	-2.73	2.67
109	2.8118	2.8915	2.9717	-2.76	2.70
110	2.7311	2.8093	2.8881	-2.78	2.73
111	2.6531	2.7299	2.8072	-2.81	2.75
112	2.5776	2.6530	2.7289	-2.84	2.78
113	2.5046	2.5785	2.6531	-2.87	2.81
114	2.4340	2.5065	2.5798	-2.89	2.84
115	2.3656	2.4368	2.5087	-2.92	2.87
116	2.2995	2.3693	2.4400	-2.95	2.90
117	2.2354	2.3040	2.3733	-2.98	2.92
118	2.1734	2.2407	2.3088	-3.00	2.95
119	2.1134	2.1795	2.2463	-3.03	2.97
120	2.0553	2.1201	2.1858	-3.06	3.01
121	1.9991	2.0626	2.1271	-3.08	3.03
122	1.9446	2.0070	2.0702	-3.11	3.05
123	1.8918	1.9530	2.0151	-3.13	3.08
124	1.8406	1.9007	1.9617	-3.16	3.11
125	1.7911	1.8500	1.9099	-3.18	3.14
126	1.7430	1.8009	1.8597	-3.22	3.16
127	1.6965	1.7533	1.8110	-3.24	3.19
128	1.6514	1.7071	1.7638	-3.26	3.21
129	1.6076	1.6623	1.7180	-3.29	3.24
130	1.5652	1.6189	1.6736	-3.32	3.27

## 15. SENSOR PARAMETER

### 2. THE PARAMETER OF THE OTHER SENSOR IN INDOOR AND OUTDOOR UNIT:

( $R_0=15K\pm 2\%$ ;  $B0/100=3450K\pm 2\%$ )

T [°C]	Rmin [KΩ]	Rnom [KΩ]	Rmax [KΩ]	DR(MIN)%	DR(MAX)%
-30	60.78	64.77	68.99	-6.16	6.12
-29	57.75	61.36	65.16	-5.88	5.83
-28	54.89	58.15	61.58	-5.61	5.57
-27	52.19	55.14	58.23	-5.35	5.31
-26	49.63	52.30	55.08	-5.11	5.05
-25	47.21	49.62	52.13	-4.86	4.81
-24	44.92	47.10	49.37	-4.63	4.60
-23	42.76	44.73	46.78	-4.40	4.38
-22	40.71	42.49	44.34	-4.19	4.17
-21	38.77	40.38	42.05	-3.99	3.97
-20	36.93	38.39	39.90	-3.80	3.78
-19	35.18	36.51	37.87	-3.64	3.59
-18	33.53	34.74	35.97	-3.48	3.42
-17	31.96	33.06	34.17	-3.33	3.25
-16	30.48	31.47	32.49	-3.15	3.14
-15	29.07	29.97	30.89	-3.00	2.98
-14	27.73	28.56	29.39	-2.91	2.82
-13	26.46	27.22	27.98	-2.79	2.72
-12	25.26	25.95	26.64	-2.66	2.59
-11	24.11	24.75	25.38	-2.59	2.48
-10	23.03	23.61	24.19	-2.46	2.40
-9	21.99	22.53	23.06	-2.40	2.30
-8	21.01	21.51	22.00	-2.32	2.23
-7	20.08	20.54	20.99	-2.24	2.14
-6	19.19	19.62	20.04	-2.19	2.10
-5	18.35	18.74	19.14	-2.08	2.09
-4	17.55	17.92	18.29	-2.06	2.02
-3	16.78	17.13	17.48	-2.04	2.00
-2	16.06	16.38	16.71	-1.95	1.97
-1	15.36	15.67	15.98	-1.98	1.94
0	14.70	15.00	15.29	-2.00	1.90
1	14.08	14.36	14.64	-1.95	1.91
2	13.48	13.75	14.02	-1.96	1.93
3	12.91	13.17	13.43	-1.97	1.94
4	12.36	12.62	12.87	-2.06	1.94
5	11.85	12.09	12.34	-1.99	2.03
6	11.35	11.59	11.83	-2.07	2.03
7	10.88	11.11	11.35	-2.07	2.11
8	10.43	10.66	10.89	-2.16	2.11
9	9.999	10.230	10.450	-2.26	2.11
10	9.590	9.816	10.040	-2.30	2.23
11	9.199	9.422	9.647	-2.37	2.33
12	8.826	9.047	9.269	-2.44	2.40
13	8.470	8.689	8.910	-2.52	2.48
14	8.129	8.347	8.567	-2.61	2.57
15	7.804	8.021	8.240	-2.71	2.66
16	7.493	7.709	7.928	-2.80	2.76
17	7.196	7.412	7.630	-2.91	2.86
18	6.912	7.127	7.346	-3.02	2.98
19	6.640	6.855	7.074	-3.14	3.10
20	6.381	6.595	6.815	-3.24	3.23
21	6.132	6.347	6.567	-3.39	3.35
22	5.894	6.109	6.330	-3.52	3.49

## 15. SENSOR PARAMETER

T [°C ]	Rmin [ KΩ ]	Rnom [ KΩ ]	Rmax [ KΩ ]	DR(MIN)%	DR(MAX)%
23	5.667	5.882	6.103	-3.66	3.62
24	5.449	5.664	5.886	-3.80	3.77
25	5.240	5.456	5.678	-3.96	3.91
26	5.048	5.260	5.478	-4.03	3.98
27	4.864	5.072	5.286	-4.10	4.05
28	4.687	4.891	5.101	-4.17	4.12
29	4.517	4.717	4.924	-4.24	4.20
30	4.355	4.550	4.753	-4.29	4.27
31	4.198	4.390	4.589	-4.37	4.34
32	4.048	4.236	4.431	-4.44	4.40
33	3.904	4.089	4.280	-4.52	4.46
34	3.766	3.946	4.134	-4.56	4.55
35	3.663	3.810	3.994	-3.86	4.61
36	3.506	3.679	3.859	-4.70	4.66
37	3.383	3.552	3.729	-4.76	4.75
38	3.265	3.431	3.604	-4.84	4.80
39	3.152	3.314	3.484	-4.89	4.88
40	3.043	3.202	3.368	-4.97	4.93
41	2.938	3.094	3.257	-5.04	5.00
42	2.838	2.990	3.149	-5.08	5.05
43	2.741	2.890	3.046	-5.16	5.12
44	2.648	2.793	2.946	-5.19	5.19
45	2.558	2.701	2.850	-5.29	5.23
46	2.472	2.611	2.758	-5.32	5.33
47	2.389	2.525	2.669	-5.39	5.40
48	2.309	2.443	2.583	-5.49	5.42
49	2.232	2.363	2.500	-5.54	5.48
50	2.158	2.286	2.421	-5.60	5.58
51	2.087	2.212	2.344	-5.65	5.63
52	2.018	2.140	2.269	-5.70	5.69
53	1.952	2.072	2.198	-5.79	5.73
54	1.888	2.005	2.129	-5.84	5.82
55	1.827	1.941	2.062	-5.87	5.87
56	1.767	1.880	1.998	-6.01	5.91
57	1.710	1.820	1.936	-6.04	5.99
58	1.655	1.763	1.876	-6.13	6.02
59	1.602	1.707	1.818	-6.15	6.11
60	1.551	1.654	1.762	-6.23	6.13
61	1.502	1.602	1.709	-6.24	6.26
62	1.452	1.553	1.657	-6.50	6.28
63	1.409	1.505	1.606	-6.38	6.29
64	1.364	1.458	1.558	-6.45	6.42
65	1.322	1.413	1.511	-6.44	6.49
66	1.280	1.370	1.466	-6.57	6.55
67	1.241	1.328	1.422	-6.55	6.61
68	1.202	1.288	1.379	-6.68	6.60
69	1.165	1.249	1.339	-6.73	6.72
70	1.129	1.211	1.299	-6.77	6.77
71	1.095	1.175	1.261	-6.81	6.82
72	1.061	1.140	1.224	-6.93	6.86
73	1.029	1.106	1.188	-6.96	6.90
74	0.9977	1.073	1.153	-7.02	6.94
75	0.9676	1.041	1.120	-7.05	7.05
76	0.9385	1.011	1.088	-7.17	7.08
77	0.9104	0.9810	1.056	-7.20	7.10
78	0.8833	0.9523	1.026	-7.25	7.18

## 15. SENSOR PARAMETER

T [°C]	Rmin [ KΩ ]	Rnom [ KΩ ]	Rmax [ KΩ ]	DR(MIN)%	DR(MAX)%
79	0.8570	0.9246	0.9971	-7.31	7.27
80	0.8316	0.8977	0.9687	-7.36	7.33
81	0.8071	0.8717	0.9412	-7.41	7.38
82	0.7834	0.8466	0.9146	-7.47	7.43
83	0.7604	0.8223	0.8888	-7.53	7.48
84	0.7382	0.7987	0.8639	-7.57	7.55
85	0.7167	0.7759	0.8397	-7.63	7.60
86	0.6958	0.7537	0.8161	-7.68	7.65
87	0.6755	0.7322	0.7933	-7.74	7.70
88	0.6560	0.7114	0.7712	-7.79	7.75
89	0.6371	0.6913	0.7498	-7.84	7.80
90	0.6188	0.6718	0.7291	-7.89	7.86
91	0.6011	0.6530	0.7051	-7.95	7.39
92	0.5840	0.6348	0.6897	-8.00	7.96
93	0.5674	0.6171	0.6709	-8.05	8.02
94	0.5514	0.6000	0.6527	-8.10	8.07
95	0.5359	0.5835	0.6350	-8.16	8.11
96	0.5209	0.5675	0.6179	-8.21	8.16
97	0.5064	0.5519	0.6014	-8.24	8.23
98	0.4923	0.5369	0.5853	-8.31	8.27
99	0.4787	0.5224	0.5698	-8.37	8.32
100	0.4655	0.5083	0.5547	-8.42	8.36
101	0.4528	0.4946	0.5401	-8.45	8.42
102	0.4404	0.4814	0.5259	-8.52	8.46
103	0.4284	0.4685	0.5121	-8.56	8.51
104	0.4168	0.4561	0.4988	-8.62	8.56
105	0.4056	0.4440	0.4859	-8.65	8.62
106	0.3947	0.4323	0.4733	-8.70	8.66
107	0.3841	0.4210	0.4611	-8.76	8.70
108	0.3739	0.4100	0.4493	-8.80	8.75
109	0.3640	0.3993	0.4379	-8.84	8.81
110	0.3544	0.3890	0.4267	-8.89	8.84
111	0.3450	0.3789	0.4159	-8.95	8.90
112	0.3360	0.3692	0.4055	-8.99	8.95
113	0.3272	0.3597	0.3953	-9.04	9.01
114	0.3187	0.3505	0.3854	-9.07	9.06
115	0.3104	0.3416	0.3758	-9.13	9.10
116	0.3024	0.3330	0.3665	-9.19	9.14
117	0.2947	0.3246	0.3574	-9.21	9.18
118	0.2871	0.3164	0.3468	-9.26	8.77
119	0.2798	0.3085	0.3401	-9.30	9.29
120	0.2727	0.3008	0.33	-9.34	9.34

## 16. TROUBLESHOOTING

### 16. Troubleshooting

#### 16.1 Trouble guide

##### Troubleshooting for Normal Malfunction

Troubleshooting	Possible Reason of Abnormality	How to Deal With
Air conditioner can not start up	<ol style="list-style-type: none"> <li>1. Power supply failure;</li> <li>2. Trip of breaker or blow of fuse;</li> <li>3. Power voltage is too low;</li> <li>4. Improper setting of remote controller ;</li> <li>5. Remote controller is short of power.</li> </ol>	<ol style="list-style-type: none"> <li>1. Check power supply circuit;</li> <li>2. Measure insulation resistance to ground to see if there is any leakage;</li> <li>3. Check if there is a defective contact or leak current in the power supply circuit;</li> <li>4. Check and set remote controller again;</li> <li>5. Replace batteries.</li> </ol>
The compressor starts or stops frequently	The air inlet and outlet has been blocked.	Remove block obstacles.
Poor cooling/heating	<ol style="list-style-type: none"> <li>1. The outdoor heat exchanger is dirty, such as condenser;</li> <li>2. There are heating devices indoors;</li> <li>3. The air tightness is not enough, and people come in and out too frequently;</li> <li>4. Block of outdoor heat exchanger;</li> <li>5. Improper setting of temperature.</li> </ol>	<ol style="list-style-type: none"> <li>1. Clean the heat exchanger of the outdoor unit, such as condenser;</li> <li>2. Remove heating devices;</li> <li>3. Keep certain air tightness indoors;</li> <li>4. Remove block obstacles;</li> <li>5. Check and try to set temperature again.</li> </ol>
Sound from deforming parts	During system starting or stopping, a sound might be heard. However, this is due to thermal deformation of plastic parts.	It is not abnormal, and the sound will disappear soon.
Water leakage	<ol style="list-style-type: none"> <li>1. Drainage pipe is blocked or broken;</li> <li>2. Wrap of refrigerant pipe joint is not closed completely.</li> </ol>	<ol style="list-style-type: none"> <li>1. Change drainage pipe;</li> <li>2. Re-wrap and make it tight.</li> </ol>

# 16. TROUBLESHOOTING

## Troubleshooting according to fault codes

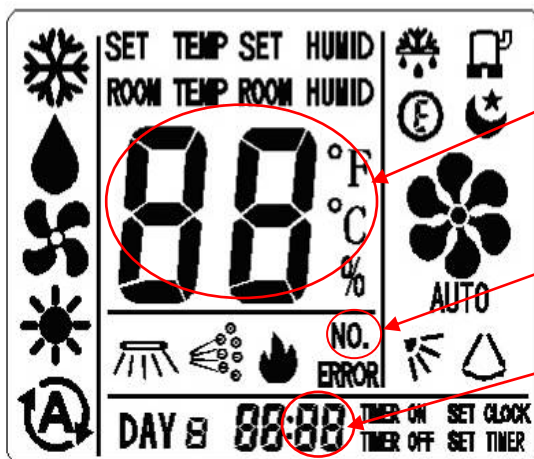
When the air conditioner failure occurs, the fault code will display on the control board, wired controller or display panel.

### How to check fault codes

#### Indoor Unit

(1) Fault codes indicated by wired controller

MOEDL:YXC-A01U(E)

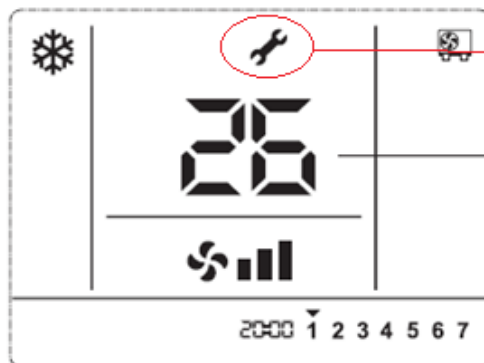


When "FE" is displayed, it shows that the wired controller can't receive the signals of indoor unit control board, please check the communication wires.

When failure occurs, this lamp lights ON.

This number shows FAULT CODE.

MODEL:YXC-C01U/YXE-C01U/YXC-D01U/YXE-D01U(E)



Indicate failure occur.

ERROR CODE


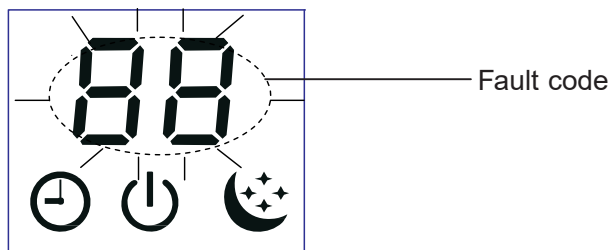
When the airconditioner is malfunction,  will display on the LCD, and error codes will appear and blink.

FIG.2 FAULT CODE DISPLAY ON WIRE REMOT CONTROLLER

(2) Error codes indicated on display panel.(see figure below)



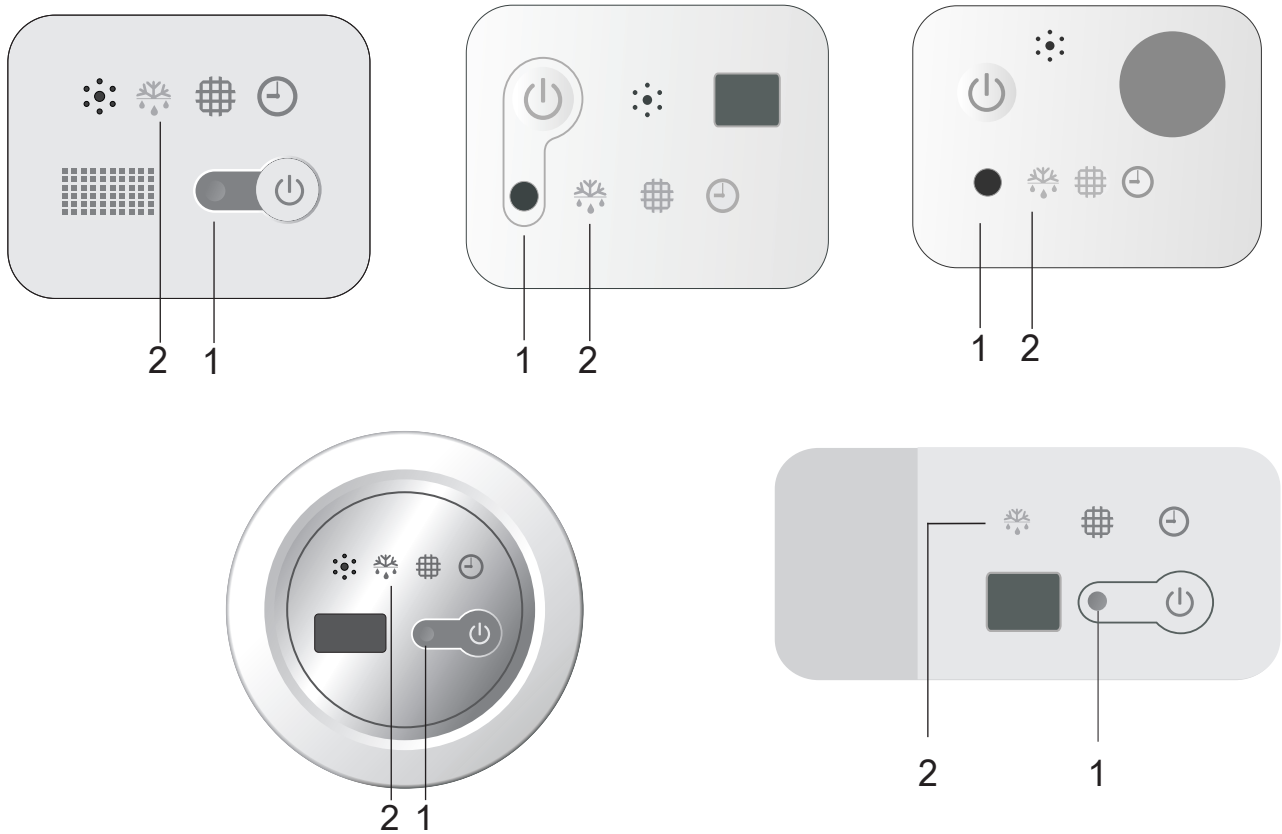


## 16. TROUBLESHOOTING

### (2) Fault codes indicated by LED lamps on display panel

Lamp RUN (LED2, Red) and Lamp DEFROST (LED5, Green) flash. Lamp RUN displays fault code represented by 2- digit number, and lamp DEFROST displays fault code represented by single digit number (as shown fig. below). For example, fault code 36: LED RUN & defrost flash 3 times at the same time, and LED DEFROST continues flashing 3 times, it reports No. 36 fault.

#### Display panel



- 1** Run indicator (Red)  
Indicates the fault code with 2- digit number.
- 2** Defrost indicator (Green)  
Indicates the fault code with single digit number.

LED FLASH CONTROL: flash 300ms (T1), off 300ms (T2), after 2000ms (T3) fault code repeat displays. (as shown below)

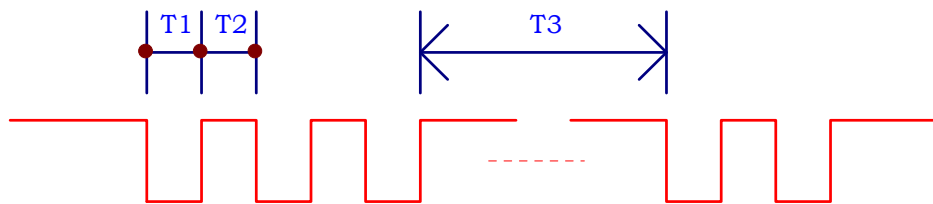


FIG.2 LED flash control

## 2. TROUBLESHOOTING

### Outdoor unit

DC-Inverter unitary (Main control board upside-down)

Fault code displayed by LED lamps on outdoor main control board.

There are 3 LED lamps on control board, LED1, LED2 and LED3.

LED1 indicates fault code represented by 2-digit number, LED2 indicates fault code represented by single digit number and LED3 indicates outdoor drive control fault.

When LED3 is off, LED1 and LED 2 indicate main control fault code.

When LED3 is on, LED1 and LED 2 indicate drive control fault code.

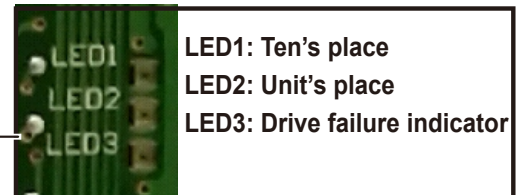
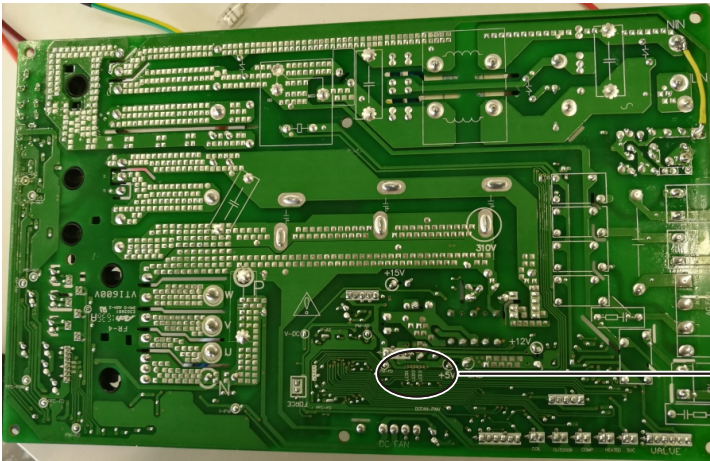
When LED3 is flickering and LED1, LED 2 are all off, indicate compressor is preheating.

Failures display with 5s interval. It means LED will be off for 5s to report next fault code.

System protection codes display method is the same with main control fault code.

LED lamps will be off when there is no failure, protection or preheating.

18/24/36K

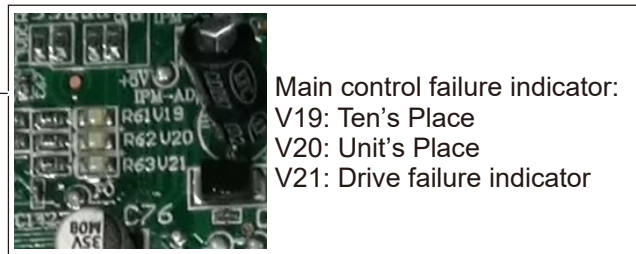


48K/60K

Fault code displayed by LED lamps on outdoor main control board.

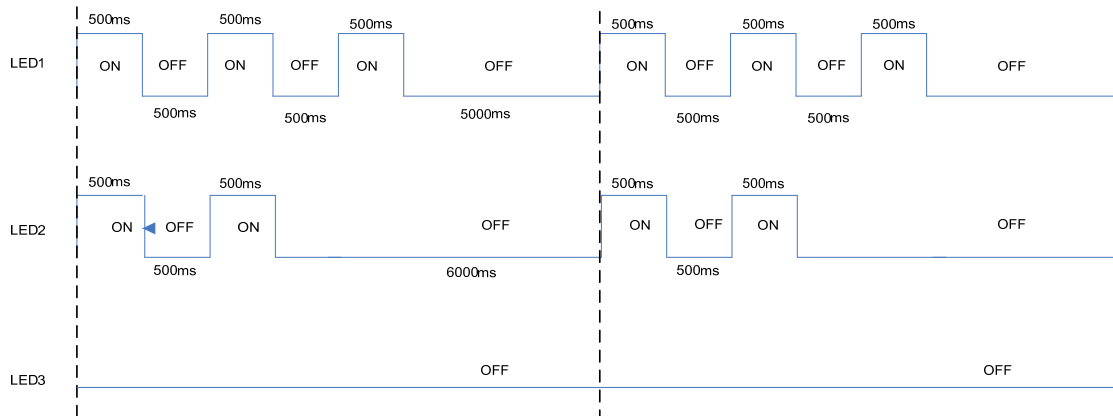
There are 3 LED lamps on control board, V19, V20 and V21.

V19 indicates the ten's place of the fault code, V20 indicates the unit's place of the fault code and V21 indicates outdoor drive control fault.

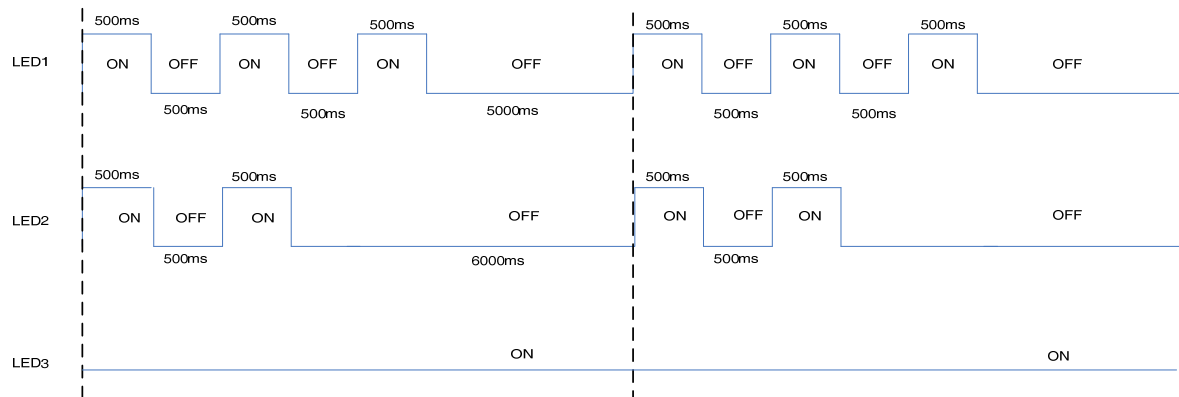


# 16. TROUBLESHOOTING

For example, outdoor main control fault 32:



For example, outdoor drive fault 32:



## 16. TROUBLESHOOTING

### 16.2 Fault codes

The following is the fault code table of outdoor unit.

**Table 1 Outdoor fault code**

Fault code	Fault description	Possible reasons for abnormality	How to deal with	Remarks
1	Outdoor ambient temperature sensor fault	<ol style="list-style-type: none"> <li>1.The outdoor ambient temperature sensor is connected loosely;</li> <li>2.The outdoor ambient temperature sensor fails to work;</li> <li>3.The sampling circuit fails.</li> </ol>	<ol style="list-style-type: none"> <li>1.Reconnect the outdoor ambient temperature sensor;</li> <li>2.Replace the outdoor ambient temperature sensor components;</li> <li>3.Replace the outdoor control board components.</li> </ol>	
2	Outdoor coil temperature sensor fault	<ol style="list-style-type: none"> <li>1.The outdoor coil temperature sensor is connected loosely;</li> <li>2.The outdoor coil temperature sensor fails to work;</li> <li>3.The sampling circuit fails.</li> </ol>	<ol style="list-style-type: none"> <li>1.Reconnect the outdoor coil temperature sensor;</li> <li>2.Replace the outdoor coil temperature sensor components;</li> <li>3.Replace the outdoor control board components.</li> </ol>	
3	The unit over-current turn off fault	<ol style="list-style-type: none"> <li>1. Control board current sampling circuit fails;</li> <li>2. The current is over high because the supply voltage is too low;</li> <li>3. The compressor is blocked;</li> <li>4. Overload in cooling mode;</li> <li>5. Overload in heating mode.</li> </ol>	<ol style="list-style-type: none"> <li>1. Replace the electrical control board components;</li> <li>2. Normal protection;</li> <li>3. Replace the compressor;</li> <li>4. Please see NOTE 3;</li> <li>5. Please see NOTE 4.</li> </ol>	
4	EEProm Data error	<ol style="list-style-type: none"> <li>1.EE components fail;</li> <li>2.EE components control circuit fails;</li> <li>3.EE components are inserted incorrectly.</li> </ol>	<ol style="list-style-type: none"> <li>1.Replace the EE components;</li> <li>2.Replace the outdoor control board components;</li> <li>3.Reassemble the EE components.</li> </ol>	
5	Cooling freezing protection (the indoor coil temperature is too low) or heating overload (indoor coil temperature is too high)	<ol style="list-style-type: none"> <li>1.The indoor unit can not blow air normally;</li> <li>2.The room temperature is too low in cooling mode or the room temperature is too high in heating;</li> <li>3.The filter is dirty;</li> <li>4.The duct resistance is too high to result in low air flow;</li> <li>5.The setting fan speed is too low;</li> <li>6.The indoor unit is not installed in accordance with the installation standards, and the air inlet is too close to the air outlet .</li> </ol>	<ol style="list-style-type: none"> <li>1.Check whether the indoor fan, indoor fan motor and evaporator work normally;</li> <li>2.Normal protection;</li> <li>3.Clean the filter;</li> <li>4.Check the volume control valve, duct length etc.;</li> <li>5.Set the speed with high speed;</li> <li>6.Reinstall the indoor unit referring to the user manual to change the distance between the indoor unit and the wall or ceiling.</li> </ol>	
7	The communication fault between the indoor unit and outdoor unit	<ol style="list-style-type: none"> <li>1.The connection cable is connected improperly between the indoor unit and outdoor unit;</li> <li>2.The communication cable is connected loosely;</li> <li>3.The communication cable fails;</li> <li>4.The indoor control board fails;</li> <li>5.The outdoor control board fails;</li> <li>6.Communication circuit fuse open;</li> <li>7.The specification of communication cable is incorrect.</li> </ol>	<ol style="list-style-type: none"> <li>1.Reconnect the connection cable referring to the wiring diagram;</li> <li>2.Reconnect the communication cable;</li> <li>3.Replace the communication cable;</li> <li>4.Replace the indoor control board;</li> <li>5.Replace the outdoor control board;</li> <li>6.Check the communication circuit, adjust the DIP switch and the short-circuit fuse;</li> <li>7.Choose suitable communication cable referring to the user manual.</li> </ol>	

## 16. TROUBLESHOOTING

Fault code	Fault description	Possible reasons for abnormality	How to deal with	Remarks
12	Voltage absent phase	Three-phase power is abnormal; The outdoor wiring is connected improperly; The outdoor control board fails.	1. Normal protection; 2. Check the wiring connection referring to the wiring diagram; 3. Replace the outdoor control board.	Application of three-phase power supply models
13	Compressor overheat protector device	1. The wiring of the overload protector is connected loosely; 2. The overload protector fails; 3. The refrigerant is not enough; 4. The installation pipe is much longer than the normal one, but no extra refrigerant is added; 5. The expansion valve fails; 6. The outdoor control board fails.	1. Reconnect the wiring of the overload protector; 2. Replace the overload protector; 3. Check the welding point of the unit to confirm whether there is leakage, and then recharge the refrigerant; 4. Add the refrigerant; 5. Replace expansion valve; 6. Replace the outdoor control board.	
14	The high pressure switch operation or the unit is turned off for high pressure protection	1.The wiring of the high pressure protector is connected loosely; 2.The high pressure protector fails; 3.The outdoor control board is abnormal; 4. Overload in cooling; 5. Overload in heating.	1. Reconnect the wiring of the high pressure protector; 2. Replace the high pressure protector; 3. Replace the outdoor control board; 4. Please refer to NOTE 3; 5. Please refer to NOTE 4.	Applied to models with high pressure switch or pressure sensor
15	The low pressure switch protection or the unit is turned off for low pressure protection	1. The wiring of the low pressure switch is connected loosely; 2. The low pressure switch fails; 3. The refrigerant is not enough; 4. The expansion valve fails in heating mode; 5. The outdoor control board is abnormal.	1. Reconnect the wiring of the low pressure switch; 2. Replace the low pressure switch; 3. Check the welding point to confirm whether the unit leaks, and then add some refrigerant; 4. Replace the expansion valve; 5. Replace the outdoor control board.	Applied to models with low pressure switch or pressure sensor
16	Overload protection in cooling mode	System overloads.	Please refer to NOTE 3.	
17	Discharge temperature sensor fault	1.The wiring of the discharge temperature sensor is connected loosely; 2.The discharge temperature sensor fails; 3.The sampling circuit is abnormal.	1.Reconnect the wiring of the discharge temperature sensor; 2.Replace the discharge temperature sensor; 3.Replace the outdoor control board.	
18	AC voltage is abnormal	1.The AC voltage >275V or <160V; 2.The AC voltage of sampling circuit on the driver board is abnormal.	1. Normal protection, please check the supply power; 2. Replace the driver board.	
45	IPM fault	There are many reasons for this failure. You can check the driver board fault LED to further analyze the fault code of the drive board and to learn about what leads to the fault and how to operate it. Specific information can be seen in table 5, table 6.	See attached "analysis of the driving board fault".	

## 16. TROUBLESHOOTING

Fault code	Fault description	Possible reasons for abnormality	How to deal with	Remarks
46	IPM and control board communication fault	<ol style="list-style-type: none"> <li>1.The cable between the control board and the driver board is connected loosely;</li> <li>2.The cable between the control board and the driver board fails;</li> <li>3.The driver board fails;</li> <li>4.The control board fails.</li> </ol>	<ol style="list-style-type: none"> <li>1.Reconnect the cable between the control board and the driver board;</li> <li>2.Replace the communication cable between the control board and the driver board;</li> <li>3.Replace the driver board;</li> <li>4.Replace the control board.</li> </ol>	
47	Too high discharge temperature fault	<ol style="list-style-type: none"> <li>1. The refrigerant of the unit is not enough;</li> <li>2.The refrigerant of the unit is not enough due to that the installation pipe is longer;</li> <li>3.Throttling service fails;</li> <li>4.The outdoor ambient temperature is too high.</li> </ol>	<ol style="list-style-type: none"> <li>1.Check the welding point to confirm whether the unit has leakage point, and then add some refrigerant;</li> <li>2. Add some refrigerant referring to the installation user manual;</li> <li>3. Replace the throttling service (such as capillary, expansion valve);</li> <li>4.Normal protection.</li> </ol>	
48	The outdoor DC fan motor fault (upper fan motor)	<ol style="list-style-type: none"> <li>1.The connecting wiring of the up DC fan motor is loose;</li> <li>2.The cord of the upper DC fan motor fails;</li> <li>3.The upper DC fan motor fails;</li> <li>4.The drive circuit of the upper DC fan motor fails;</li> <li>5.The outdoor fan has been blocked.</li> </ol>	<ol style="list-style-type: none"> <li>1.Reconnect the wiring of the up DC fan motor;</li> <li>2. Replace the upper DC fan motor;</li> <li>3.Replace the upper DC fan motor;</li> <li>4.Replace the driver board of the fan motor;</li> <li>5.Check the outdoor fan and ensure the outdoor fan can run normally.</li> </ol>	
49	The outdoor DC fan motor fault (down fan motor)	<ol style="list-style-type: none"> <li>1.The connecting wiring of the down DC fan motor is loose;</li> <li>2.The cord of the down DC fan motor fails;</li> <li>3. The down DC fan motor fails;</li> <li>4. The drive circuit of the down DC fan motor fails;</li> <li>5. The outdoor fan has been blocked.</li> </ol>	<ol style="list-style-type: none"> <li>1. Reconnect the wiring of the down DC fan motor;</li> <li>2. Replace the down DC fan motor;</li> <li>3. Replace the down DC fan motor;</li> <li>4. Replace the driver board of the fan motor;</li> <li>5. Check the outdoor fan and ensure the outdoor fan can run normally.</li> </ol>	
58	Coil temperature sensor fault	<ol style="list-style-type: none"> <li>1.The wiring of the radiator temperature sensor is connected loosely;</li> <li>2.The Coil temperature sensor fails;</li> <li>3.The sampling circuit is abnormal.</li> </ol>	<ol style="list-style-type: none"> <li>1.Reconnect the wiring of the coil temperature sensor;</li> <li>2.Replace the coil temperature sensor;</li> <li>3.Replace the outdoor control board.</li> </ol>	Not for 48/60K
59	Protection of coil temperature sensor	<ol style="list-style-type: none"> <li>1. The resistance of temperature sensor is abnormal.</li> <li>2. The control board circuit is abnormal fails .</li> <li>3. The refrigerant is not enough.</li> </ol>	<ol style="list-style-type: none"> <li>1. Reconnect the wiring of the overload protector;</li> <li>2. Replace the overload protector;</li> <li>3. Check the welding point of the unit to confirm whether it is leakage, and then recharge the refrigerant.</li> </ol>	Not for 48/60K
91	The unit is turned off due to the IPM board over heating fault	<ol style="list-style-type: none"> <li>1.The outdoor ambient temp. is too high;</li> <li>2.The speed of the out fan motor is too low if the fan motor is AC fan motor;</li> <li>3.The outdoor unit is not installed in accordance with the standard;</li> <li>4.The supply power is too low.</li> </ol>	<ol style="list-style-type: none"> <li>1. Normal protection;</li> <li>2. Check the fan capacitor, and replace the fan capacitor if it fails;</li> <li>3. Reinstall the outdoor unit referring to the installation user manual;</li> <li>4.Normal protection.</li> </ol>	
96	Lacking of refrigerant	The refrigerant of the unit is not enough.	Discharge the refrigerant and charge the refrigerant referring to the rating label.	
97	4-way valve commutation failure fault	<ol style="list-style-type: none"> <li>1.The connecting wiring of the 4-way valve coil is loose;</li> <li>2.The 4-way valve coil fails;</li> <li>3.The 4-way valve fails;</li> <li>4.The driver board of the 4-way valve fails.</li> </ol>	<ol style="list-style-type: none"> <li>1. Reconnect the wiring of the 4-way valve;</li> <li>2. Replace the 4-way valve coil;</li> <li>3. Replace the 4-way valve;</li> <li>4.Replace the driver board of the 4-way valve.</li> </ol>	

## 16. TROUBLESHOOTING

The following is the fault code table of indoor unit.

**Table 2 Indoor fault code**

Fault code	Fault description	Possible reasons for abnormality	How to deal with	Remarks
51	Drainage protection	<ol style="list-style-type: none"> <li>1. The water level of the drain pan exceeds safe level;</li> <li>2. The cable of the water level switch is connected loosely;</li> <li>3. The water level switch fails;</li> <li>4. The control board fails.</li> </ol>	<ol style="list-style-type: none"> <li>1. Check whether there is something blocking the drain hose or the height of the drain hose is too high;</li> <li>2. Check the water pump and replace the water pump if the water pump fails;</li> <li>3. Reconnect the cable of the water level switch referring to the wiring diagram;</li> <li>4. Replace the water level switch;</li> <li>5. Replace the control board.</li> </ol>	
55	Mode conflict fault	The user sets the conflicting mode for more than two indoor units.	Reset the operation mode for the indoor unit, for with one outdoor unit, the user should avoid setting the conflicting operation mode with the indoor units.	
64	Communication between Indoor & Outdoor unit Fault	<ol style="list-style-type: none"> <li>1. The indoor unit and the outdoor unit are not connected properly;</li> <li>2. The communication cable is connected loosely;</li> <li>3. The communication cable between the indoor unit and the outdoor unit fails or the cable between the indoor control board to terminal fails or the cable between the outdoor control board to the terminal fails;</li> <li>4. The indoor control board fails;</li> <li>5. The outdoor control board fails.</li> </ol>	<ol style="list-style-type: none"> <li>1. Reconnect the connection cable referring to the indoor and outdoor wiring diagram;</li> <li>2. Reconnect the communication cable referring to the indoor and outdoor wiring diagram;</li> <li>3. Replace the communication cable referring to the indoor and outdoor wiring diagram;</li> <li>4. Replace the indoor control board;</li> <li>5. Replace the outdoor control board.</li> </ol>	
71	Indoor unit zero check fault	<ol style="list-style-type: none"> <li>1. The motor wire is loose;</li> <li>2. The motor connection is open;</li> <li>3. The motor fails;</li> <li>4. Control board fails.</li> <li>5. Indoor fan is baffled.</li> </ol>	<ol style="list-style-type: none"> <li>1. Replace the motor wire and make sure the wire connection is well;</li> <li>2. Replace the motor wire;</li> <li>3. Change the motor;</li> <li>4. Change the indoor control board;</li> <li>5. Check and elimination of fan motor rotation.</li> </ol>	
72	Indoor fan motor fault	<ol style="list-style-type: none"> <li>1. The cable of the indoor fan motor is connected loosely;</li> <li>2. The cable of the indoor fan motor fails;</li> <li>3. The indoor fan motor fails;</li> <li>4. The indoor control board fails.</li> </ol>	<ol style="list-style-type: none"> <li>1. Reconnect the cable of the fan motor;</li> <li>2. Replace the cable of the fan motor;</li> <li>3. Replace the fan motor;</li> <li>4. Replace the indoor control board;</li> <li>5. Check the indoor fan and ensure the indoor fan can run normally.</li> </ol>	
73	Indoor EEPROM Data 1 fault	<ol style="list-style-type: none"> <li>1. Indoor EE components fail;</li> <li>2. The control circuit of the EE components fails;</li> <li>3. The EE components has been inserted in opposite direction.</li> </ol>	<ol style="list-style-type: none"> <li>1. Replace the EE components;</li> <li>2. Replace the indoor control board;</li> <li>3. Reassemble the EE components of the indoor control board.</li> </ol>	

## 16. TROUBLESHOOTING

Fault code	Fault description	Possible reasons for abnormality	How to deal with	Remarks
74	Indoor EEPROM Data 2 fault	EE in MCU is fails, the unit can run, but the function user has set is ineffective.	Replace EE data in MCU.	
81	Indoor ambient Temperature Sensor Fault	<ol style="list-style-type: none"> <li>1. The cable of the room temperature sensor is connected loosely;</li> <li>2. The room temperature sensor fails;</li> <li>3. The sampling circuit is abnormal.</li> </ol>	<ol style="list-style-type: none"> <li>1. Reconnect the cable of the room temperature sensor;</li> <li>2. Replace the room temperature sensor;</li> <li>3. Replace the indoor control board.</li> </ol>	
83	Evaporator Middle Temperature Sensor Fault	<ol style="list-style-type: none"> <li>1. The cable of the coil temperature sensor of the evaporator fails;</li> <li>2. The coil temperature sensor of the evaporator fails;</li> <li>3. The sampling circuit is abnormal.</li> </ol>	<ol style="list-style-type: none"> <li>1. Reconnect the cable of the coil temperature sensor of the evaporator;</li> <li>2. Replace the coil temperature sensor of the evaporator;</li> <li>3. Replace the indoor control board.</li> </ol>	
FE (254)	Communication between main control board & Wired controller Fault (display on wired controller)	<ol style="list-style-type: none"> <li>1. The wired controller and the indoor control board are connected loosely;</li> <li>2. The sequence of the wiring between the wired controller to the indoor control board is wrong;</li> <li>3. The wiring between the wired controller to the indoor control board fails;</li> <li>4. The wired controller fails;</li> <li>5. The indoor control board is abnormal.</li> </ol>	<ol style="list-style-type: none"> <li>1. Reconnect the wiring between the wired controller to the indoor control board;</li> <li>2. Replace the wiring between the wired controller to the indoor control board;</li> <li>3. Replace the wiring between the wired controller to the indoor control board;</li> <li>4. Replace the wired controller;</li> <li>5. Replace the indoor control Board.</li> </ol>	
ER	Communication between main control board & display board Fault (displays on display board)	<ol style="list-style-type: none"> <li>1. The wiring between the display board to the indoor control board is connected loosely;</li> <li>2. The sequence of the wiring between the display board to the indoor control board is wrong;</li> <li>3. The wiring between the display board to the indoor control board fails;</li> <li>4. The display board fails;</li> <li>5. The indoor control board fails.</li> </ol>	<ol style="list-style-type: none"> <li>1. Reconnect the wiring between the display board to the indoor control board;</li> <li>2. Replace the wiring between the display board to the indoor control board;</li> <li>3. Replace the wiring between the display board to the indoor control board;</li> <li>4. Replace the display board;</li> <li>5. Replace the indoor control board.</li> </ol>	



## 16. TROUBLESHOOTING

### NOTE 1:

If the indoor unit can not start or the indoor unit stops itself after 30s, at the same time the unit does not display the fault code, please check the fire and the socket of the control board.

### NOTE 2:

If the indoor unit displays the 75,76,77,78 fault code after you turn on the unit, please check the TEST seat of the indoor control board or the TEST detection circuit to see whether short circuit occurs.

### NOTE 3: Overload in cooling mode

Overload in cooling mode		
sr.	The root cause	Corrective measure
1	The refrigerant is excessive.	Discharge the refrigerant, and recharge the refrigerant referring to the rating label.
2	The outdoor ambient temperature is too high.	Please use it within allowable temperature range.
3	Short-circuit occurs in the air outlet and air inlet of the outdoor unit.	Adjust the installation of the outdoor unit referring to the user manual.
4	The outdoor heat exchanger is dirty, such as condenser.	Clean the heat exchanger of the outdoor unit, such as condenser.
5	The speed of the outdoor fan motor is too low.	Check the outdoor fan motor and fan capacitor.
6	The outdoor fan is broken or the outdoor fan is blocked.	Check the outdoor fan.
7	The air inlet and outlet has been blocked.	Remove the blocked objects.
8	The expansion valve or the capillary fails.	Replace the expansion valve or the capillary.

### NOTE 4: Overload in heating mode

Overload in heating mode		
sr.	The root cause	Corrective measure
1	The refrigerant is excessive.	Discharge the refrigerant, and recharge the refrigerant referring to the rating label.
2	The indoor ambient temperature is too high.	Please use it within allowable temperature range.
3	Short-circuit occurs in the air outlet and air inlet of the indoor unit.	Adjust the installation of the indoor unit referring to the user manual.
4	The indoor filter is dirty.	Clean the indoor filter.
5	The speed of the indoor fan motor is too low.	Check the indoor fan motor and fan capacitor.
6	The indoor fan is broken or the outdoor fan is blocked.	Check the indoor fan.
7	The air inlet and outlet has been blocked.	Remove the blocked objects.
8	The expansion valve or the capillary fails.	Replace the expansion valve or the capillary.

## 16. TROUBLESHOOTING

**Table 3 Drive Fault code**

Fault code	Fault description	Possible reasons for abnormality	How to deal with
1	Inverter DC voltage overload fault	1. Power supply input is too high or too low; 2. Driver board fault.	1. Check the power supply; 2. Change the driver board.
2	Inverter DC low voltage fault		
3	Inverter AC current overload fault		
4	Out-of-step detection	1. Compressor phase lost; 2. Bad driver board components; 3. The compressor insulation fault.	1. Check the compressor wire connection; 2. Change the driver board; 3. Change the compressor.
5	Loss phase detection fault (speed pulsation)		
6	Loss phase detection fault (current imbalance)		
7	Inverter IPM fault (edge)	1. System overload or current overload; 2. Driver board fault; 3. Compressor oil shortage, serious wear of crankshaft ; 4. The compressor insulation fault.	1. Check the system; 2. Change the driver board; 3. Change the compressor; 4. Change the compressor.
8	Inverter IPM fault (level)		
9	PFC_IPM IPM fault (edge)		
10	PFC_IPM IPM fault (level)		
11	PFC power detection of failure	1. The power supply is not stable; 2. Instantaneous power failure; 3. Driver board failure.	1. Check the power supply; 2. No need to deal with; 3. Change the driver board.
12	PFC overload current detection of failure.	1. System overloads, and the current is too high; 2. Driver board fails; 3. PFC fails.	1. Check the system; 2. Change the driver board; 3. Change the PFC.
13	DC voltage detected abnormal .	1. Input voltage is too high or too low; 2. Driver board fails.	1. Check the power supply; 2. Change the driver board.
14	PFC LOW voltage detected failure.		
15	AD offset abnormal detected failure.	Driver board fails.	Change the driver board.
16	Inverter PWM logic set fault.		
17	Inverter PWM initialization failure		
18	PFC_PWM logic set fault.		
19	PFC_PWM initialization fault.		
20	Temperature abnormal.		
21	Shunt resistance unbalance adjustment fault		
22	Communication failure.	1. Communication wire connection is not proper; 2. Driver board fails; 3. Control board fails.	1. Check the wiring; 2. Change the driver board; 3. Change the control board.
23	Motor parameters setting of failure	Initialization is abnormal.	Reset the power supply.
25	EE data abnormal	Driver board EEPROM is abnormal.	1. Change EEPROM; 2. Change the driver board.
26	DC voltage mutation error	1. Power input changes suddenly; 2. Driver board fails.	1. Check the power supply, to provide stable power supply; 2. Change the driver board.
27	D axis current control error	1. System overload, phase current is too high; 2. Driver board fails.	1. Check if the system is normal; 2. Check if the stop valve is open; 3. Change the driver board.
28	Q axis current control error	1. System overload, phase current is too high; 2. Driver board fails.	1. Check if the system is normal; 2. Check if the stop valve is open; 3. Change the driver board.
29	Saturation error of D axis current control integral	1. System overloads suddenly; 2. Compressor parameter is not suitable; 3. Driver board fails.	1. Check if the system is normal; 2. Check if the stop valve is open; 3. Change the driver board.
30	Saturation error of Q axis current control integral	1. System overloads suddenly; 2. Compressor parameter is not suitable; 3. Driver board fails.	1. Check if the system is normal; 2. Check if the stop valve is open; 3. Change the driver board.

## 16. TROUBLESHOOTING

Fault code	Fault description	Possible reasons for abnormality	How to deal with
50	Inverter software over-current	<ol style="list-style-type: none"> <li>1. The fan motor system overloads;</li> <li>2. The drive board fails;</li> <li>3. The fan motor is not insulated well;</li> </ol>	<ol style="list-style-type: none"> <li>1. Change the fan motor;</li> <li>2. Change the drive board;</li> <li>3. Change the fan motor.</li> </ol>
51	Out-of-step detection	<ol style="list-style-type: none"> <li>1. The wire is not connected well;</li> <li>2. Bad drive board components;</li> <li>3. The fan motor starting overloads;</li> <li>4. The fan motor is demagnetized;</li> <li>5. The fan motor is not insulated well.</li> </ol>	<ol style="list-style-type: none"> <li>1. Check the fan motor wire connection;</li> <li>2. Change the drive board;</li> <li>3. Change the fan motor.</li> <li>4. Change the fan motor.</li> <li>5. Change the fan motor.</li> </ol>
52	Abnormal speed control	<ol style="list-style-type: none"> <li>1. Bad driver board components;</li> <li>2. The fan motor shaft clamping;</li> <li>3. The fan motor insulation fails.</li> </ol>	<ol style="list-style-type: none"> <li>1. Change the drive board;</li> <li>2. Change the fan motor.</li> <li>3. Change the fan motor.</li> </ol>
53	Out of phase detection fault	<ol style="list-style-type: none"> <li>1. Phase loss of the fan motor;</li> <li>2. Bad drive board components.</li> </ol>	<ol style="list-style-type: none"> <li>1. Change the drive board;</li> <li>2. Change the fan motor;</li> <li>3. Change the fan motor</li> </ol>
54	IPM-FO hardware over-current (edge)	<ol style="list-style-type: none"> <li>1. The fan motor overloads or over-current;</li> <li>2. The drive board fails;</li> <li>3. The fan motor insulation fails.</li> </ol>	<ol style="list-style-type: none"> <li>1. Change the fan motor;</li> <li>2. Change the drive board;</li> <li>3. Change the fan motor</li> </ol>
55	IPM-FO hardware over-current (level)	<ol style="list-style-type: none"> <li>1. The fan motor overloads or over-current;</li> <li>2. The drive board fails;</li> <li>3. The fan motor insulation fails.</li> </ol>	<ol style="list-style-type: none"> <li>1. Change the fan motor;</li> <li>2. Change the drive board;</li> <li>3. Change the fan motor</li> </ol>
56	The fan motor -AD Offset abnormal detection fault	The drive board circuit fails.	Change the drive board.
57	The fan motor speed control integral saturation	<ol style="list-style-type: none"> <li>1. The fan motor overload mutation;</li> <li>2. Parameters are inappropriate;</li> <li>3. The drive board fault.</li> </ol>	<ol style="list-style-type: none"> <li>1. Change the fan motor system;</li> <li>2. Change the fan motor;</li> <li>3. Change the drive board.</li> </ol>
58	The fan motor D,Q axis current control error	<ol style="list-style-type: none"> <li>1. The fan motor overloads, the phase current is large;</li> <li>2. The drive board fault.</li> </ol>	<ol style="list-style-type: none"> <li>1. Check the fan motor system;</li> <li>2. Change the drive board.</li> </ol>
59	The fan motor D,Q axis current control integral saturation	<ol style="list-style-type: none"> <li>1. The fan motor overload mutation;</li> <li>2. Parameters are inappropriate;</li> <li>3. The drive board fault.</li> </ol>	<ol style="list-style-type: none"> <li>1. Change the fan motor system;</li> <li>2. Change the fan motor;</li> <li>3. Change the drive board.</li> </ol>
60	The fan motor reverse	<ol style="list-style-type: none"> <li>1. Bad drive board components;</li> <li>2. Wiring problems</li> </ol>	<ol style="list-style-type: none"> <li>1. Change the drive board;</li> <li>2. Check the wiring.</li> </ol>
61	IPM-PWM initialization fault	<ol style="list-style-type: none"> <li>1. EE logics error;</li> <li>2. The drive board fails.</li> </ol>	<ol style="list-style-type: none"> <li>1. Change the drive board;</li> <li>2. Change the drive board.</li> </ol>

## 16. TROUBLESHOOTING

**Table 5 Limitation code**

Code	Definitions	Descriptions
101	When overcurrent occurs, stop the frequency from increasing.	Current control
102	When overcurrent occurs, reduce the frequency.	Current control
103	When the temperature of IPM module is too high, stop the frequency from increasing.	Frequency control to keep appropriate temperature of IPM module.
104	When the temperature of IPM module is too high, reduce the frequency.	Frequency control to keep appropriate temperature of IPM module.
105	When the discharge temperature is too high, stop the frequency from increasing.	Frequency control to keep appropriate discharge temperature.
106	When the discharge temperature is too high, reduce the frequency.	Frequency control to keep appropriate discharge temperature.
107	In cooling mode, when the temperature of the outdoor unit coil is too high, stop the frequency from increasing.	Frequency control to keep appropriate temperature of the outdoor unit coil in cooling mode.
108	In cooling mode, when the temperature of the outdoor unit coil is too high, reduce the frequency.	Frequency control to keep appropriate temperature of the outdoor unit coil in cooling mode.
113	To prevent the indoor unit from being frozen or high temperature, stop the frequency from increasing.	Frequency control to keep appropriate temperature of the indoor unit coil.
114	To prevent the indoor unit from being frozen or high temperature, reduce the frequency.	Frequency control to keep appropriate temperature of the indoor unit coil.
119	When DSH exceeds the target value, the valve opening gets wider to adjust the flow.	Control on expansion valve based on DSH.
120	When DSH exceeds the target value, the valve opening gets narrower to adjust the flow.	Control on expansion valve based on DSH.
121	When DSH exceeds the target value, stop the valve opening from getting narrower.	Control on expansion valve based on DSH.
122	When DSH exceeds the target value, stop the valve opening from getting wider.	Control on expansion valve based on DSH.
131	When the temperature of IPM module is too high, stop the frequency from increasing.	Frequency control to keep appropriate temperature of IPM module.
132	When the temperature of IPM module is too high, reduce the frequency.	Frequency control to keep appropriate temperature of IPM module.
134	When the discharge temperature is too high, stop the valve opening getting narrower.	Control on discharge temperature expansion valve.
140	The compressor overloads.	Control on the compressor output.
141	The compressor current overloads.	Control on the output torque of the compressor.

※ DSH: Discharge Super Heat

These codes appearing in the operation process indicate some kind of normal operation state, instead of faults, so they do not need to be dealt with.

## 17. CHECKING COMPONENTS

### 17. Checking components

#### 17.1 Check refrigerant system

##### TEST SYSTEM FLOW

Conditions: ① Compressor is running.

② The air condition should be installed in good ventilation.

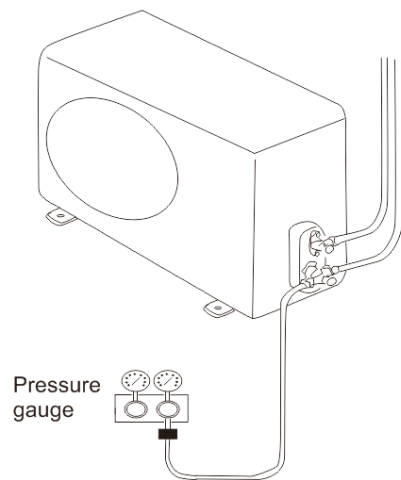
Tool: Pressure Gauge

Technique: ① see ② feel ③ test

See ----- Tube defrost.

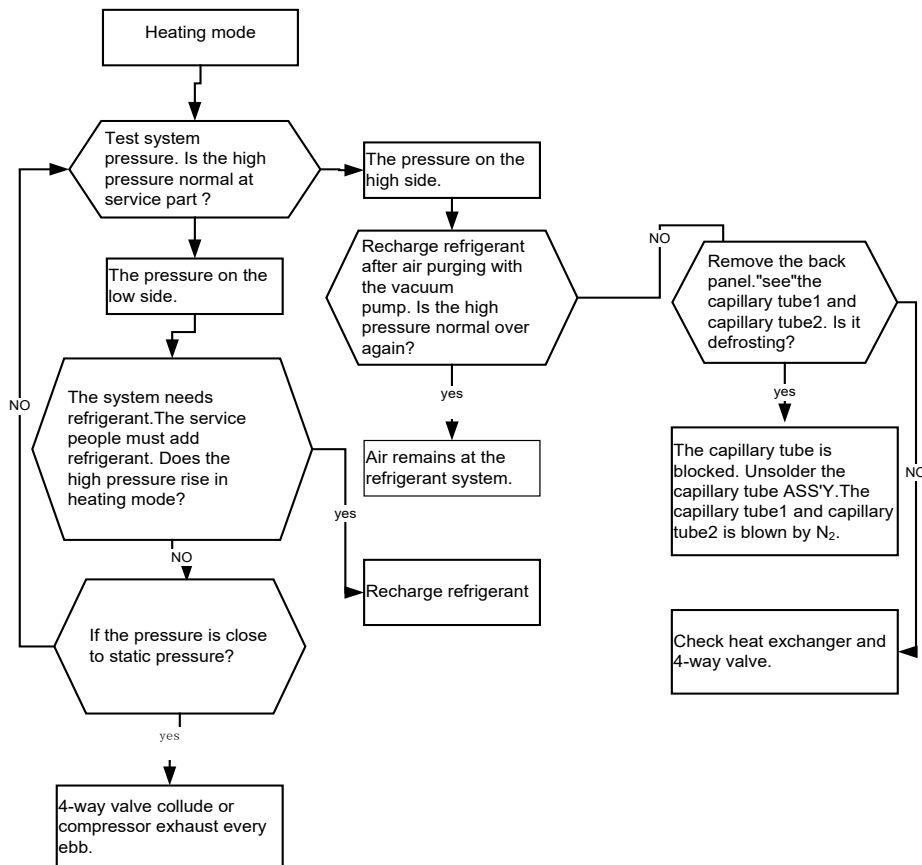
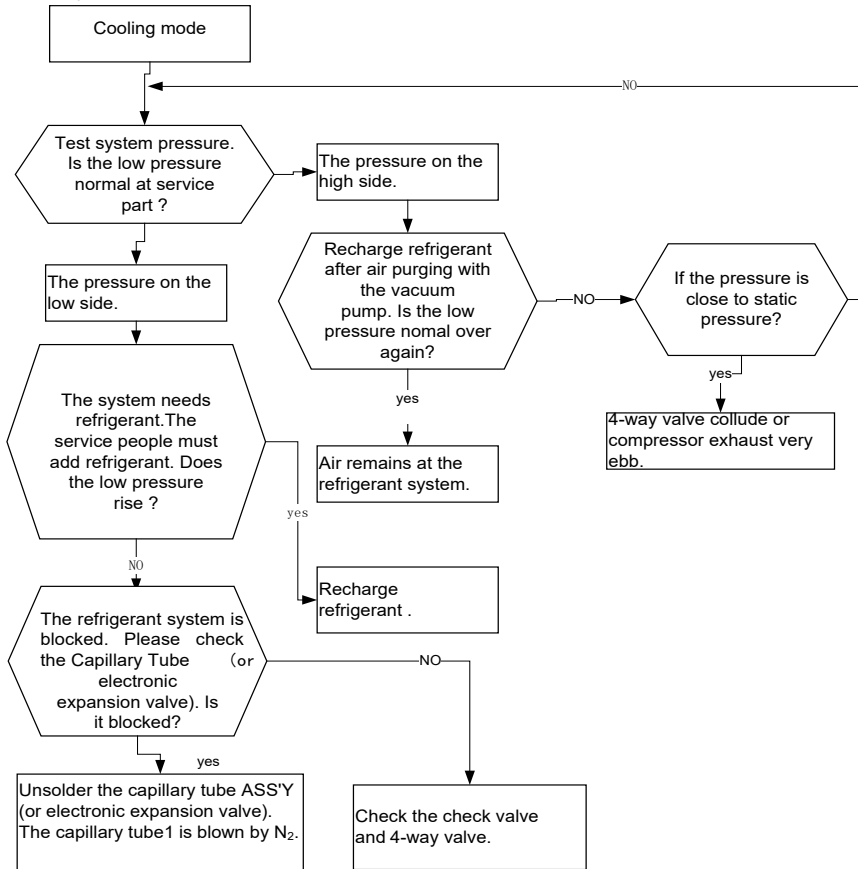
Feel ----- The difference between temperature of tubes.

Test ----- Test pressure.



# 17. CHECKING COMPONENTS

## Test system flow



## 17. CHECKING COMPONENTS

### 17.2 Check parts unit

#### 1. Indoor unit fan motor

Duct motor model (DC motor)

18K: SIC-68CVL-F160-2

24K: SIC-70CW-F195-1

36K: ZW702B500021

Ceiling & Floor (DC motor)

18K/24K: SIC-70CW-F1100-6

36K/48K/60K: SIC-101CW-F1181-2

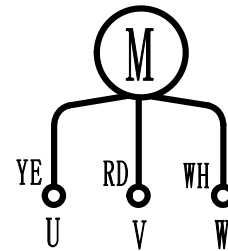
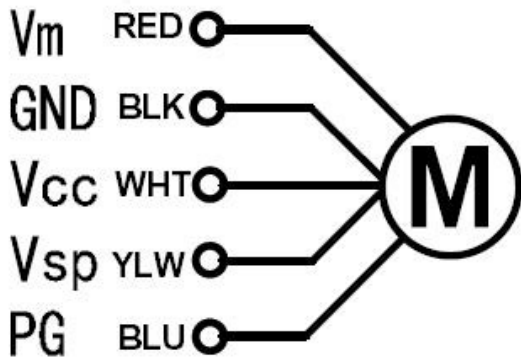
Cassette motor model (DC motor)

18K: ARW8901QH

Cassette motor model (DC motor)

24K: ZW511B500061

36K/48K/60K: ZW511B500062



Test in resistance.

TOOL: Multimeter.

Test the resistance of the main winding. The indoor fan motor fails if the resistance of main winding is 0 (short circuit) or  $\infty$  (open circuit).

Test in voltage

TOOL: Multimeter.

Insert screwdriver to rotate indoor fan motor slowly for 1 revolution or over, and measure voltage "YELLOW" and "GND" on motor. The voltage repeats 0V DC and 5V DC.

NOTES:

Please don't hold motor by leading wires.

Please don't plug IN/OUT the motor connector while power is ON.

Please don't drop or dump motor against hard material. Malfunction may not be observed at early stage after such shock. But it may be found later, this type of mishandling void our warranty.

## 17. CHECKING COMPONENTS

### 2. Outdoor unit fan motor

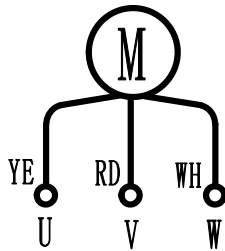
DC motor

18K: ZKFN-40-8-33/TWZ40-A18

24K: ZW511A800002

36K: ZKFN-102-8-1

48K/60K: ZW511A800002/SIC-61FW-F160-3



### 3. Compressor

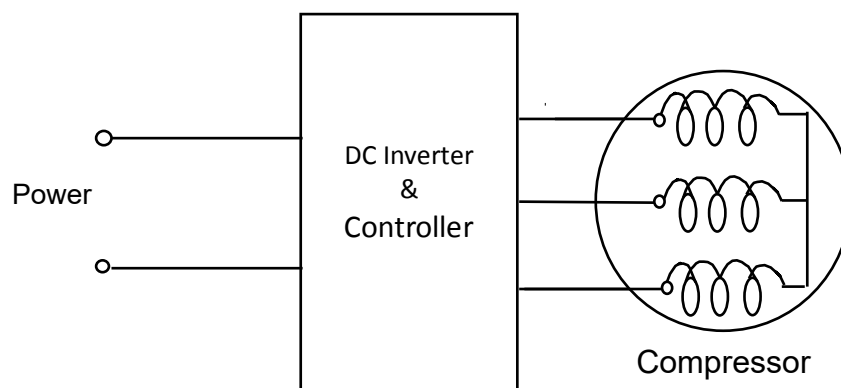
COMPRESSOR EXAMINE AND REPAIR

18K: KTN150D53UFZ3

24K:KTM240D57UMT

36K: KTF310D43UMT

48K/60K: WHP15600GUKPC8DQC





## 17. CHECKING COMPONENTS

Test in resistance.

TOOL: Multi-meter.

Test the resistance of the winding. The compressor fails if the resistance of winding is 0 (short circuit) or  $\infty$  (open circuit).

Familiar error:

- 1) Compressor motor lock.
- 2) Discharge pressure value approaches static pressure value .
- 3) Compressor motor winding abnormality.

NOTES:

- 1) Don't put a compressor on its side or turn over.
- 2) Please assemble the compressor in your air conditioner rapidly after removing the plugs.  
Don't place the compressor in air for a long time.
- 3) Avoid compressor running in reverse caused by connecting electrical wire incorrectly.
- 4) Warning! In case AC voltage is impressed to compressor, the compressor performance will decrease because of its rotor magnetic force decreasing.

Test in resistance.

TOOL: Multimeter.

Test the resistance of the winding. The compressor fails if the resistance of winding 0 (short circuit) or  $\infty$  (open circuit)

Familiar error:

- 1) Compressor motor lock.
- 2) Discharge pressure value approaches static pressure value .
- 3) Compressor motor winding abnormality.

## 17. CHECKING COMPONENTS

### NOTES:

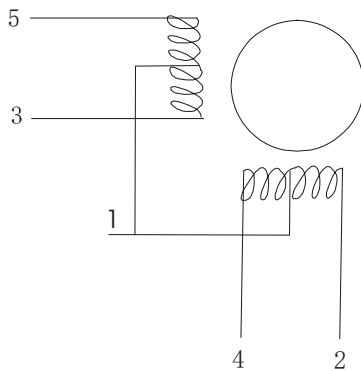
- 1) Don't put a compressor on its side or turn over.
- 2) Please assemble the compressor in your air conditioner rapidly after removing the plugs. Don't place the compressor in air for a long time.
- 3) Avoid compressor running in reverse caused by connecting electrical wire incorrectly.
- 4) Warning! In case AC voltage is impressed to compressor, the compressor performance will decrease because of its rotor magnetic force decreasing.

### 4. INDUCTANCE

Familiar error:

- 1) Sound abnormality
- 2) Insulation resistance disqualification.

### 5. STEP MOTOR



Test in resistance.

TOOL: Multimeter.

Test the resistance of winding. The stepper motor fails if the resistance of winding is 0 (short circuit) or  $\infty$  (open circuit).

### 6. FUSE

Check for continuity of fuse on PCB ASS'Y.

Remove the PCB ASS'Y from the electrical component box. Then pull out the fuse from the PCB ASS'Y (Fig.1)

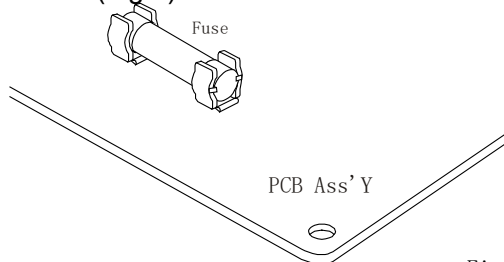


Fig. 1

Check for continuity by a multimeter as shown in Fig.2.

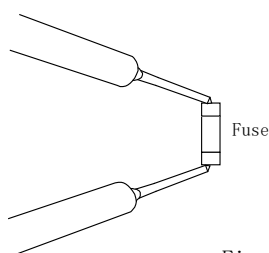

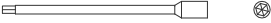


Fig. 2

## 18. DISASSEMBLY AND ASSEMBLY FOR COMPRESSOR AND MOTOR

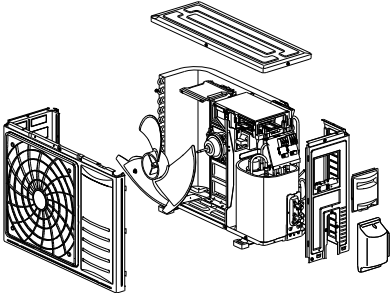
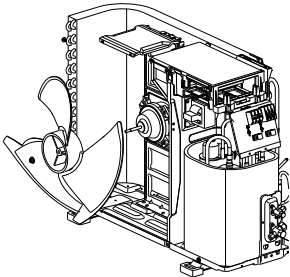
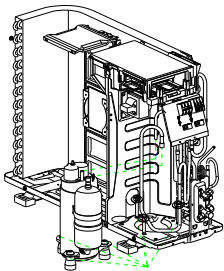
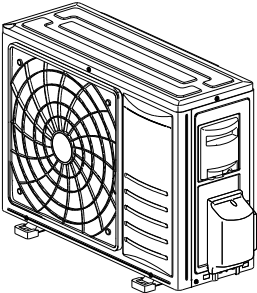
### 18. Disassembly and assembly for compressor and motor

The special tools for compressor & motor disassembly and assembly:

Tool	
1	Hexagon Screwdriver 
2	Hexagon Socket 

#### Outdoor unit 18K

**Important:** Before disassembly and assembly, make sure that the power to the system has been disconnected and verified as voltage free.

Step	Illustration	Handling Instruction
1. Remove external casing		<ol style="list-style-type: none"> <li>1. Remove the top cover, handle and valve cover;</li> <li>2. Remove the outer case and right side plate.</li> </ol>
2. Remove motor		<ol style="list-style-type: none"> <li>1. Remove the blade nut and then remove the blade;</li> <li>2. Remove the motor from motor supporter</li> </ol>
3. Remove compressor		<ol style="list-style-type: none"> <li>1. Reclaim the refrigerant from the entire system.</li> <li>2. Unsolder the 4-way valve piping assy from compressor;</li> <li>3. Remove the compressor mounting bolts;</li> <li>4. Carefully remove the compressor from chassis.</li> </ol>
4. Assemble unit		Assemble the unit in the reverse order of disassembly.

# 18. DISASSEMBLY AND ASSEMBLY FOR COMPRESSOR AND MOTOR

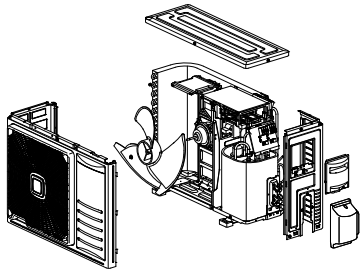
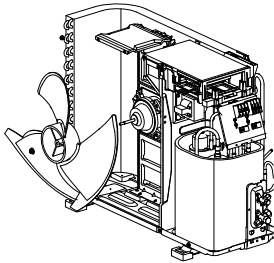
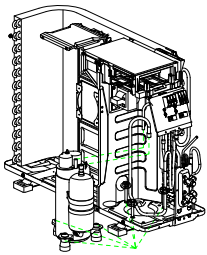
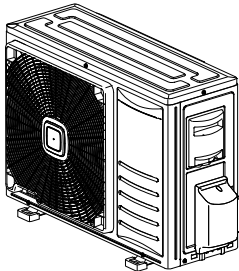
## 18. Disassembly procedure

### Outdoor unit

#### Disassembly and assembly for compressor and motor

The special tools for compressor & motor disassembly and assembly:

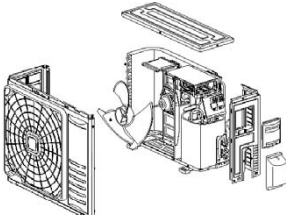
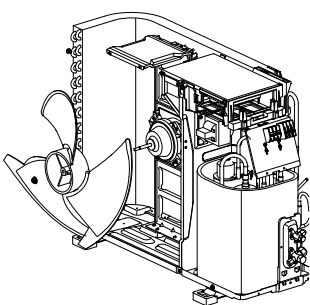
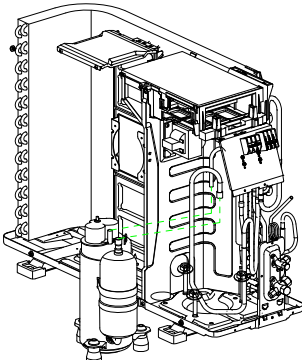

24K

Important: Before disassembly and assembly, make sure that the power to the system has been disconnected and verified as voltage free.		
Step	Illustration	Handling Instruction
1. Remove external casing		<ol style="list-style-type: none"> <li>1. Remove the top cover, handle and valve cover;</li> <li>2. Remove the outer case and right side plate.</li> </ol>
2. Remove motor		<ol style="list-style-type: none"> <li>1. Remove the blade nut and then remove the blade;</li> <li>2. Remove the motor from motor supporter.</li> </ol>
3. Remove compressor		<ol style="list-style-type: none"> <li>1. Reclaim the refrigerant from the entire system;</li> <li>2. Unsolder the piping assy from compressor;</li> <li>3. Remove the compressor mounting bolts;</li> <li>4. Carefully remove the compressor from chassis.</li> </ol>
4. Assemble unit		<p>Assemble the unit in the reverse order of disassembly.</p>

## 18. DISASSEMBLY AND ASSEMBLY FOR COMPRESSOR AND MOTOR

### Disassembly and assembly for compressor , motor and tube type electric heater

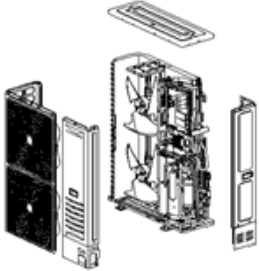
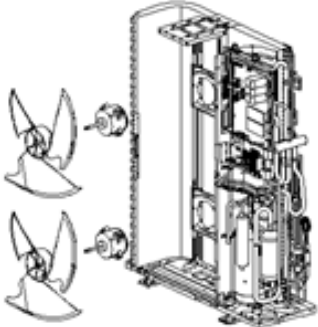
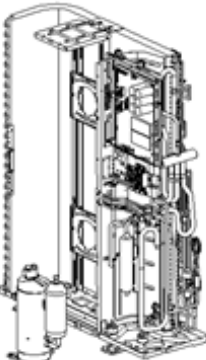
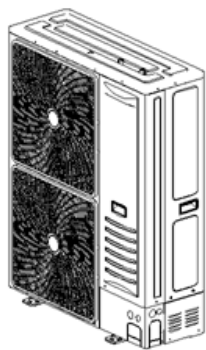
**36K**

Important: Before disassembly and assembly, make sure that the power to the system has been disconnected and verified as voltage free.		
Step	Illustration	Handling Instruction
1. Remove external casing		<ol style="list-style-type: none"> <li>1. Remove the top cover, handle and valve cover;</li> <li>2. Remove the outer case and right side plate.</li> </ol>
2. Remove motor		<ol style="list-style-type: none"> <li>1. Remove the blade nut and then remove the blade;</li> <li>2. Remove the motor from motor supporter.</li> </ol>
3. Remove compressor		<ol style="list-style-type: none"> <li>1. Reclaim the refrigerant from the entire system;</li> <li>2. Unsolder the piping assy from compressor;</li> <li>3. Remove the compressor mounting bolts;</li> <li>4. Carefully remove the compressor from chassis.</li> </ol>
4. Assemble unit		<p>Assemble the unit in the reverse order of disassembly.</p>

## 18. DISASSEMBLY AND ASSEMBLY FOR COMPRESSOR AND MOTOR

### 48K/60K

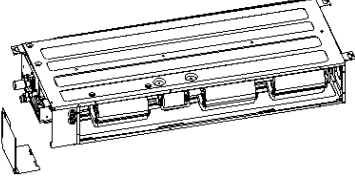
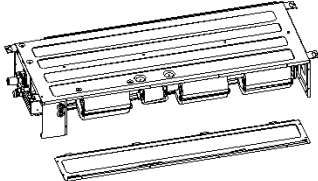
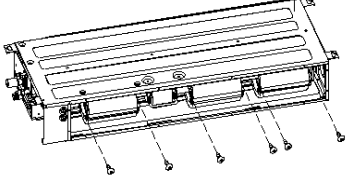
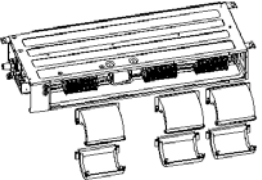
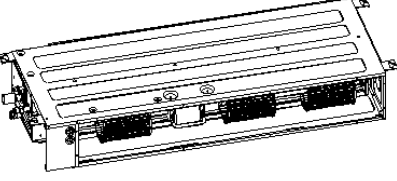
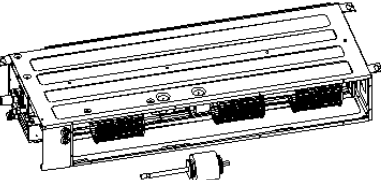
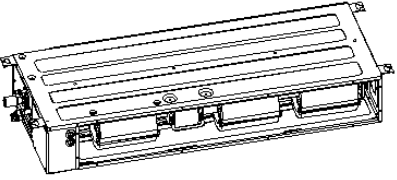
Important: Before disassembly and assembly, make sure that the power to the system has been disconnected and verified as voltage free.

Step	Illustration	Handling Instruction
1. Remove external casing		<ol style="list-style-type: none"> <li>1. Remove the top cover, handle and valve cover;</li> <li>2. Remove the outer case and right side plate.</li> </ol>
2. Remove motor		<ol style="list-style-type: none"> <li>1. Remove the blade nut and then remove the blade;</li> <li>2. Remove the motor from motor supporter.</li> </ol>
3. Remove compressor		<ol style="list-style-type: none"> <li>1. Unsolder the 4-way valve piping assy from compressor;</li> <li>2. Remove the compressor mounting bolts;</li> <li>3. Carefully remove the compressor from chassis.</li> </ol>
4. Assemble unit		<p>Assemble the unit in the reverse order of disassembly.</p>

## 18. DISASSEMBLY AND ASSEMBLY FOR COMPRESSOR AND MOTOR

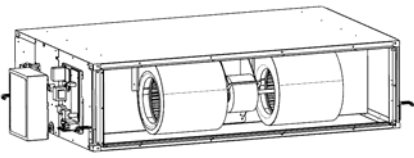
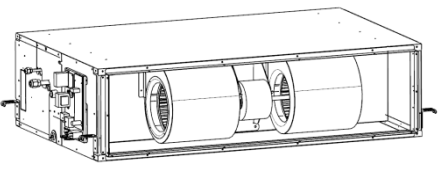
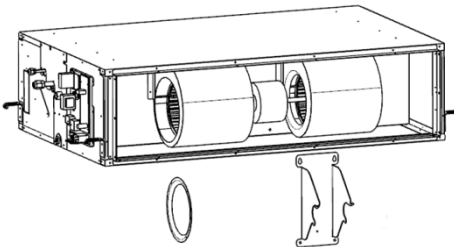
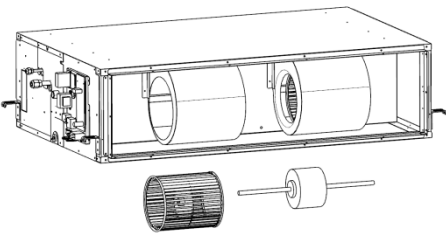
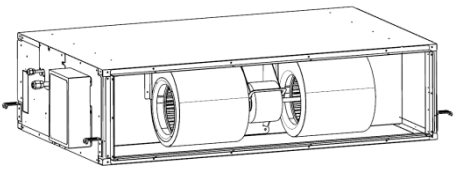
### Ducted type

#### 18K

Removal and Assembly of Fan Motor		
Important: Before removing the fan, make sure the power is off.		
Step	Illustration	Handling instruction
1. Unplug the motor cables		Use screwdriver to remove the electric box cover and unplug the motor cables in electric box.
2. Remove the base board		Loose and take out the screws fixing the base board, then remove the base board.
3. Remove the screws on fan sub-assembly.		Remove the screws on fan sub-assembly.
4. Removing the fan cage enclosure		Rotate the fan cage housing toward supply opening and remove.
5. Loosen the fan, crosshead and motor.		Use a hex wrench to loosen the screws holding the fan cage to the motor shaft, and the screws holding the crosshead to the motor shaft. Remove outer housing holding motor in place.
6. Replace the motor		Remove the motor from the support bracket. Then remove the fan cages from the motor shafts. Remove the motor from the air inlet and replace with new motor. Be sure to tighten the cages onto the motor shafts.
7. Reassembly of the unit		Reassemble the unit in the reverse order of disassembly and test operation.

## 18. DISASSEMBLY AND ASSEMBLY FOR COMPRESSOR AND MOTOR

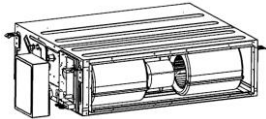
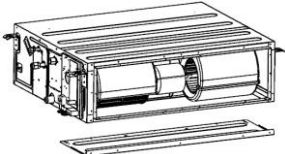
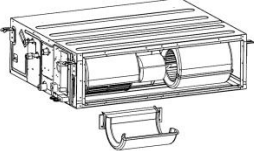
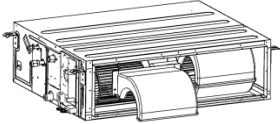
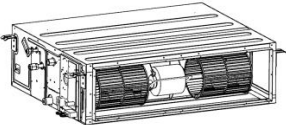
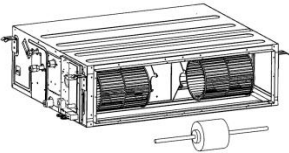
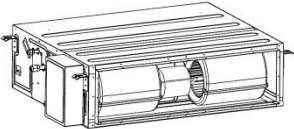
24K

Removal and Assembly of Fan Motor		
Important: Before removing the fan, make sure the power is off.		
Step	Illustration	Handling instruction
1. Unplug the motor cables.		Use screwdriver to remove the electric box cover and unplug the motor cables in electric box.
2. Loosen the fan and motor.		Use a offset spanner to loosen the screws holding the fan cage to the motor shaft. Remove outer housing holding motor in place.
3. Remove the diversion circle and support bracket.		Use screwdriver to remove the diversion circle and support bracket.
4. Replace the motor.		Remove the fan cage from the motor shaft. Remove the motor from the air inlet and replace with new motor. Be sure to tighten the cages onto the motor shafts.
5. Reassembly of the unit.		Reassemble the unit in the reverse order of disassembly and test operation.



## 18. DISASSEMBLY PROCEDURE

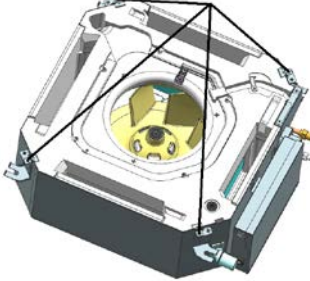
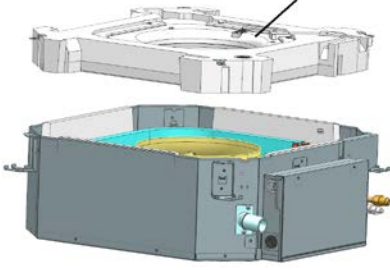
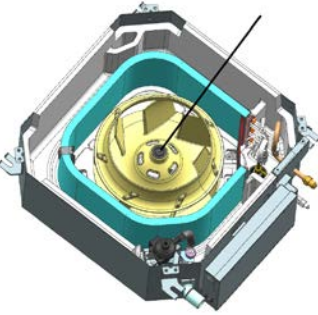
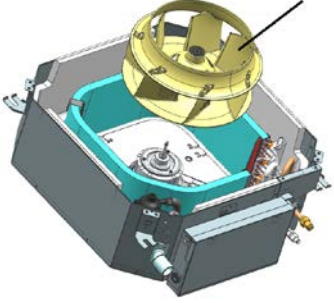
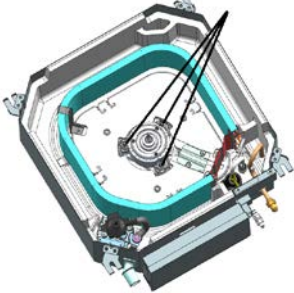
36K~60K

Removal and Assembly of Fan Motor		
Important: Before removing the fan, make sure power to the system is disconnected.		
Step	Illustration	Handling Instruction
1. Unplug the motor cables		Use screwdriver to remove the electric box cover and unplug the motor cables in electric box.
2. Remove the base board		Loose and take out the screws fixing the base board, then remove the base board.
3. Remove the screws on fan sub-assembly.		Remove the screws on fan sub-assembly.
4. Removing the fan cage enclosure		Rotate the fan cage housing toward supply opening and remove.
5. Loosen the fan and motor.		Use a hex wrench to loosen the screws holding the fan cage to the motor shaft. Remove outer housing holding motor in place.
6. Replace the motor		Remove the motor from the support bracket. Then remove the fan cages from the motor shafts. Remove the motor from the air inlet and replace with new motor. Be sure to tighten the cages onto the motor shafts.
7. Reassembly of the unit		Reassemble the unit in the reverse order of disassembly and test operation.

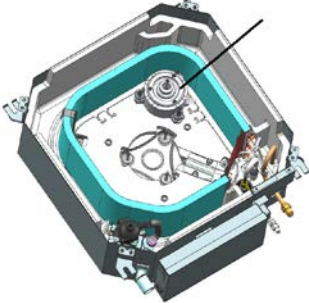
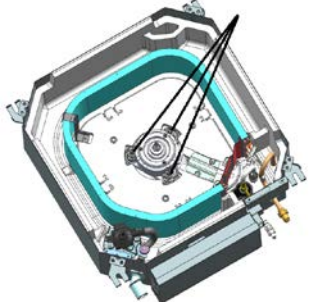
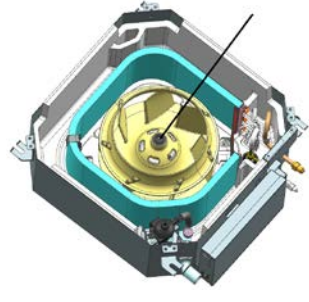
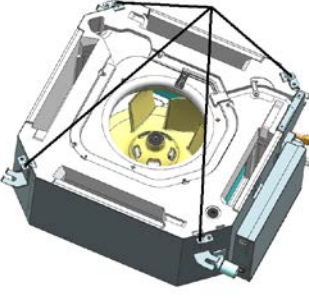
## 18. DISASSEMBLY AND ASSEMBLY FOR COMPRESSOR AND MOTOR

### Disassembly and assembly for motor

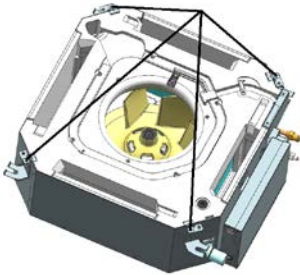
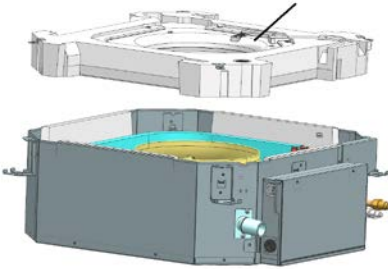
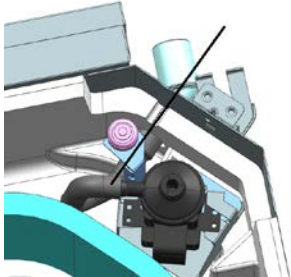

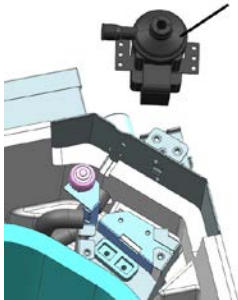
#### Compact Cassette type 18K

Replacement of Fan Motor		
Step	Illustration	Handling Instruction
1. Loosen the screws holding condensate pan.		Use screwdriver to loosen the screws holding the drain pan in place.
2. Remove the condensate pan		Carefully remove the condensate pan.
3. Loosen the bolt holding the fan blade in place		Use a wrench or socket to carefully remove the fan blade bolt.
4. Remove the fan blade		The fan blade can now be removed.
5. Loosen the bolts holding the motor in place		Use a wrench or socket to carefully remove the motor bolts.


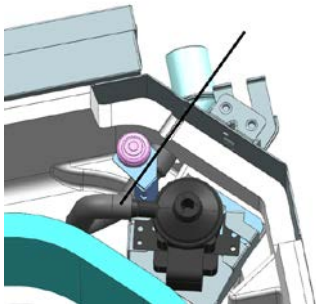
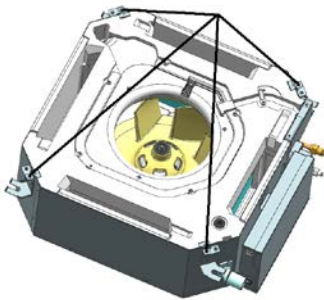
## 18. DISASSEMBLY AND ASSEMBLY FOR COMPRESSOR AND MOTOR

Replacement of Fan Motor		
Step	Illustration	Handling Instruction
6. Remove the motor and replace it		Remove the motor and replace it.
7. Tighten the bolts holding the motor		Use a wrench or socket to carefully tighten the motor bolts.
8. Mount the fan blade and tighten the bolt		Mount the fan blade and use a wrench or socket to carefully tighten the bolt holding the fan blade in place. Do not overtighten as damage may occur.
9. Reinstall the condensate pan and tighten the screws		Use a screwdriver to carefully tighten the screws holding the condensate pan in place. Take care to overtighten as damage to pan will occur.

## 18. DISASSEMBLY AND ASSEMBLY FOR COMPRESSOR AND MOTOR

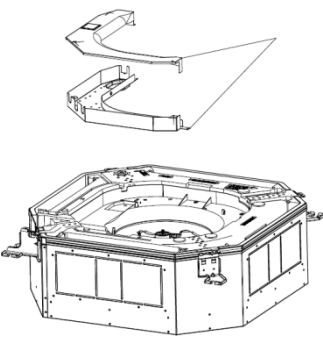
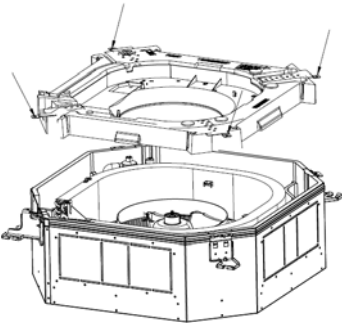
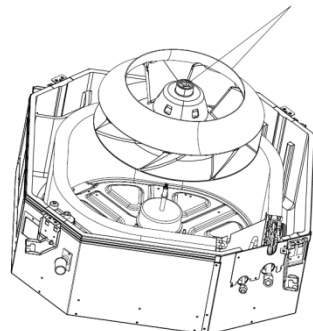
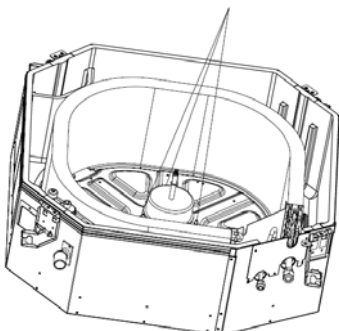
Removal and Installation of Condensate Pump		
Step	Illustration	Handling Instruction
1. Loosen the screws holding condensate pan		Use screwdriver to loosen the screws holding the drain pan in place.
2. Remove the condensate pan		Carefully remove the condensate pan.
3. Pull out the water outlet pipe		Pull out the water outlet Pipe.
4. Loosen the screws holding the condensate pump.		Loosen the screws holding the condensate pump.
5. Take out the pump and replace it		Take out the pump and replace it.

## 18. DISASSEMBLY AND ASSEMBLY FOR COMPRESSOR AND MOTOR

Removal and Installation of Condensate Pump		
Step	Illustration	Handling Instruction
6. Tighten the screws holding the condensate pump		Use a screwdriver to tighten the screws holding the condensate pump in place.
7. Connect the condensate pipe		Connect the condensate pipe
8. Mount the condensate pan and tighten the screws		Use a screwdriver to carefully tighten the screws holding the condensate pan in place. Damage may occur if over tightened.

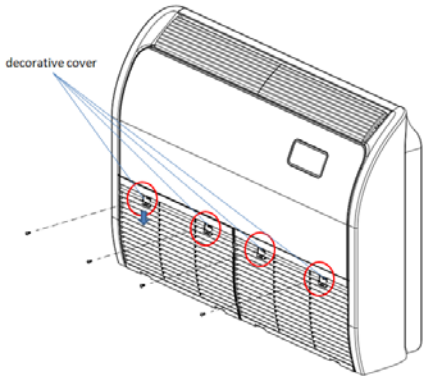
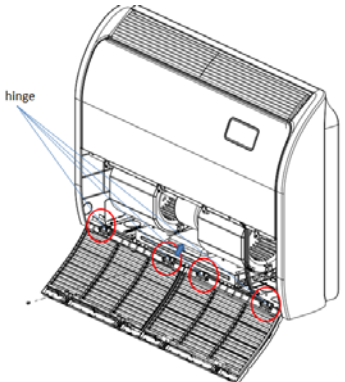
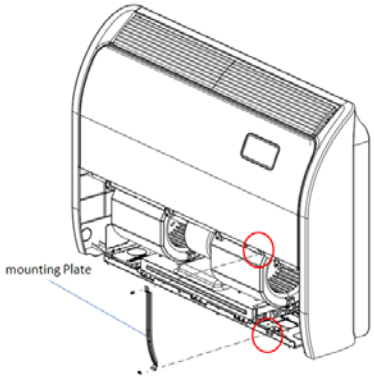
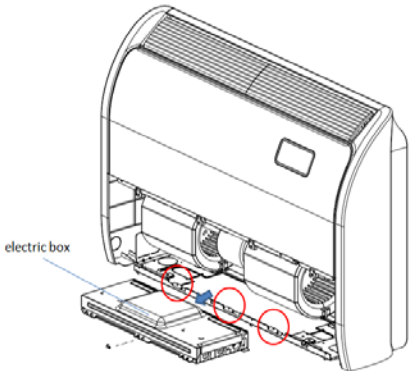
## 18. DISASSEMBLY AND ASSEMBLY FOR COMPRESSOR AND MOTOR

### Cassette type

Removal and Assembly of Fan Motor		
Important: Before removing the fan, make sure the power is off.		
Step	Illustration	Handling instruction
<p>1. Loosen the screws holding the electric box cover and electric box.</p>		<p>Use screwdriver to loosen the Electric box.</p>
<p>2. Loosen the screws holding condensate pan and remove the condensate pan.</p>		<p>Use screwdriver to loosen the screws holding the drain pan in place.</p>
<p>3. Loosen the bolts holding the fan blades in place and remove the fan blade.</p>		<p>Use a wrench or socket to carefully remove the fan blade bolts.</p>
<p>4. Loosen the screws holding the motor in place and remove the motor and replace it.</p>		<p>Use screwdriver to loosen the screws holding the motor.</p>

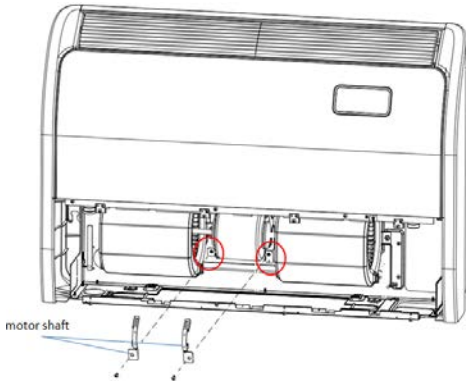
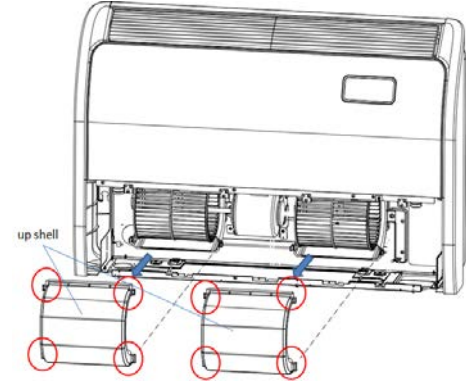
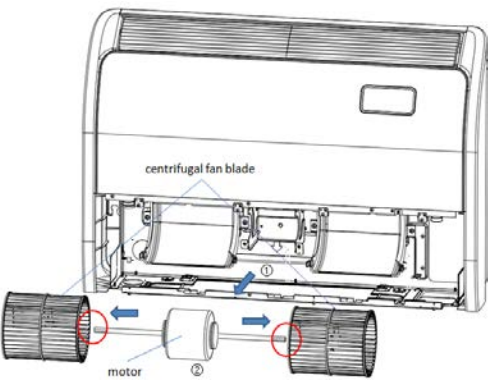
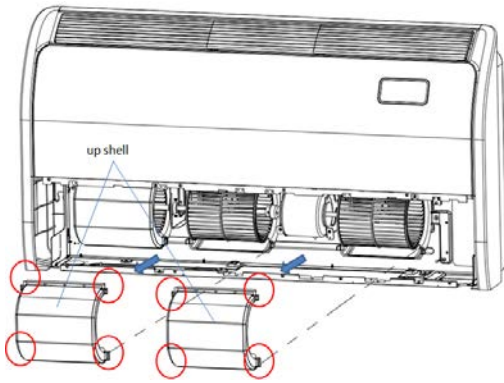
## 18. DISASSEMBLY AND ASSEMBLY FOR COMPRESSOR AND MOTOR

### Ceiling & Floor type

Removal of the motor		
Step	Illustration	Handling Instruction
1. Disassembly of the down front panel assembly		Slide open the 4 decorative covers, loose and take out the 4 screws, then open the down front panel assembly.
		Loosen and take out the 4 screws fixing the hinge, then remove the down front panel assembly.
2. Disassembly of the mounting Plate		Loosen and take out the 2 screws fixing the mounting Plate, then remove it.
3. Disassembly of the electric box		Loosen and take out the 3 screws fixing the electric box, then take it.



## 18. DISASSEMBLY AND ASSEMBLY FOR COMPRESSOR AND MOTOR

Removal of the motor		
Step	Illustration	Handling Instruction
4. Disassembly of the motor shaft	 <p style="font-size: small; margin-top: 5px;">motor shaft</p>	Remove the 2 screws fixing the motor shaft and fan blade by allen screwdriver.
5. Disassembly of the motor (18K/24K)	 <p style="font-size: small; margin-top: 5px;">up shell</p>	Remove the fasteners between the up shell and the below shell; Take out of the motor and centrifugal fan blade;
	 <p style="font-size: small; margin-top: 5px;">centrifugal fan blade</p> <p style="font-size: small; margin-top: 5px;">motor</p>	Remove the 2 screws fixing the centrifugal fan blade and get the motor.
5. Disassembly of the motor	 <p style="font-size: small; margin-top: 5px;">up shell</p>	Remove the fasteners between the up shell and the below shell on both sides of the motor; Remove the 2 screws fixing the Crosshead and take it away from the motor; Take out of the motor and centrifugal fan blade; Remove the 2 screws fixing the centrifugal fan blade and get the motor.



# 18. DISASSEMBLY AND ASSEMBLY FOR COMPRESSOR AND MOTOR

Removal of the motor		
Step	Illustration	Handling Instruction
5. Disassembly of the motor		<p>Remove the fasteners between the up shell and the below shell on both sides of the motor;</p> <p>Remove the 2 screws fixing the Crosshead and take it away from the motor;</p> <p>Take out of the motor.</p>

Attention: The arrangement of the wire of motor

Illustration	Handling instruction
	<p>Yellow line: The wire of motor.  Dotted yellow line: The wire is under the fan shell.  Blue helix: Wire strap  During assembling, the wire of motor should be in tension and tied by the wire strap securely. Make sure the upper part of wire is parallel to the bottom as illustration. The distance between the wire and the cover of the electrical box should be 20mm. Make sure the electrical box does not press the wire.</p>

## 19. CONTROL LOGIC DESCRIPTION

### 19. Control Logic Description

#### 19.1 Fan Only Mode

- (1) Outdoor fan and compressor stop.
- (2) Temperature setting function is disabled, and no set temperature is displayed.
- (3) Indoor fan can be set to high/medium/low, but can not be set to auto.

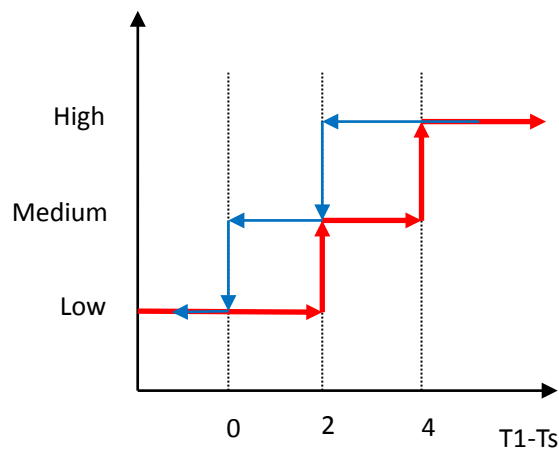
#### 19.2 Cooling Mode

Indoor fan running rules:

In cooling mode, indoor fan runs all the time and the speed can be selected as high, (medium), low and auto.

The auto fan:

$T_1$  is indoor room temperature.  $T_s$  is the set temperature.

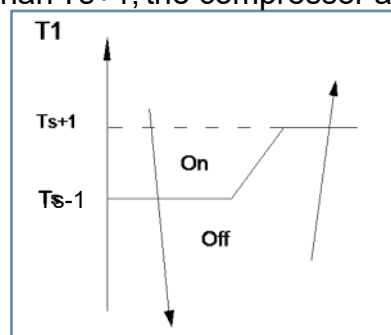


Inverter outdoor unit:

Compressor and outdoor fan running rules:

Once the compressor starts up, it will follow the rules below:

When indoor room temp.  $T_1$  is lower than  $T_s$ , the compressor and outdoor fan will shut off. When  $T_1$  is higher than  $T_s + 1$ , the compressor and outdoor fan will start up.



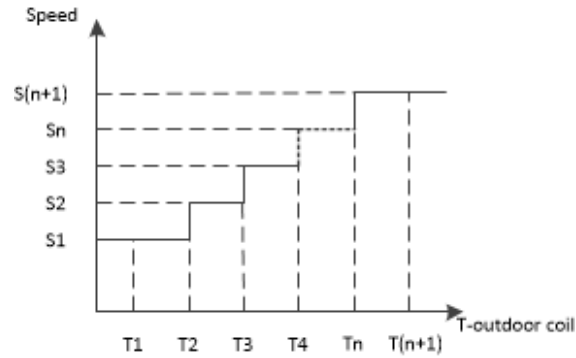
Outdoor fan running rules:

Once the outdoor fan start up, it will follow the rules below:

Single outdoor fan: First, it will run in an invariable speed for a short time; Then it will regulate the speed by the outdoor-coil temperature.

Double outdoor fan: If it has two outdoor fans, the upper fan regulates the speed by the rules, and the lower fan speed lowers than the upper fan speed for 30rpm~60rpm.

## 19. CONTORL LOGIC DESCRIPTION



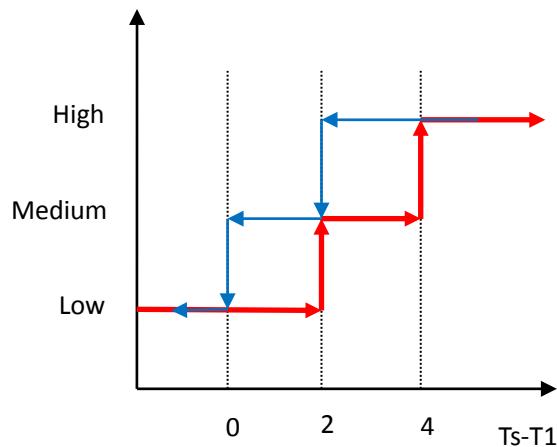
### 19.3 Heating Mode

Indoor fan running rules:

In several minutes after the heating mode is started, the fan of the indoor unit will not run until the heat exchanger of the indoor unit reaches a high enough temperature. That is because cold air prevention system is operating. After several minutes, the speed can be selected as high, (medium), low and auto.

The auto fan:

$T_1$  is indoor room temperature.  $T_s$  is the set temperature.



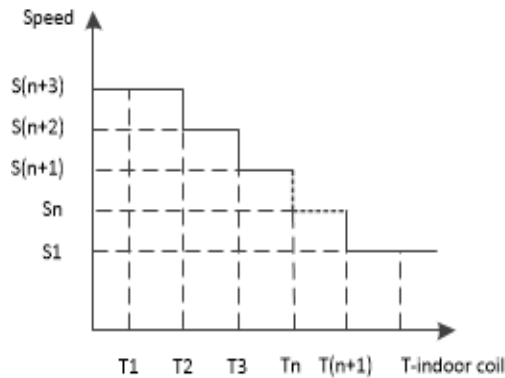
DC-Inverter outdoor unit:

Outdoor fan running rules:

Once the outdoor fan starts up, it will follow the below rules:

Single outdoor fan: First, it will run in an invariable speed for a short time; Then it will regulate the speed by the indoor-coil temperature.

## 19. CONTORL LOGIC DESCRIPTION



### 19.4 Auto Mode

This mode can be chosen with remote controller and the set temperature can be changed between 16~30°C.

In auto mode, the unit will choose cooling, heating or fan-only mode according to  $\Delta T$  ( $\Delta T = T1 - Ts$ ).

$\Delta T = T1 - Ts$	Running mode
$\Delta T > 3^{\circ}\text{C}$	Cooling
$-3^{\circ}\text{C} \leq \Delta T \leq 3^{\circ}\text{C}$	Fan-only
$\Delta T < -3^{\circ}\text{C}$	Heating

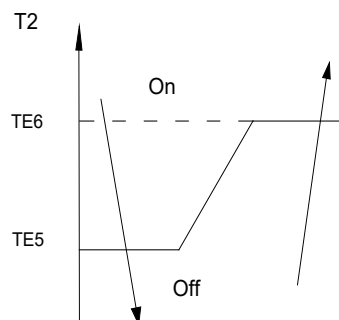
Indoor fan will run at auto fan of the relevant mode. The louver operates the same as in relevant mode. If the compressor keeps stopping for 10 minutes or the set temperature is modified, the machine will choose mode according to  $\Delta T$  again.

### 19.5 Evaporator Low-temperature Protection

DC-Inverter

AC will enter T2 protection if any of the following condition is satisfied.

Condition:



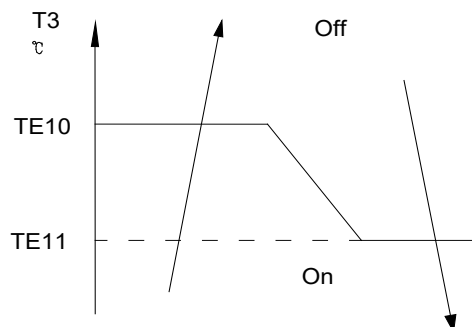
Cooling mode: When the indoor coil temp. T2 keeps lower than TE5 for 120 seconds, the compressor and outdoor fan will shut off. When T2 is higher than TE6, the compressor and outdoor fan will restart up.

## 19. CONTORL LOGIC DESCRIPTION

### 19.6 Condenser High-temperature Protection

DC-Inverter outdoor unit

AC will enter T3 protection if any of the following conditions is satisfied.



Condition1:

Cooling mode: When the outdoor coil temp. T3 keeps higher than T2 for 10 seconds, the compressor and outdoor fan will shut off. When T3 is lower than T1, the compressor and outdoor fan will restart up.

Condition2:

Heating mode: When the indoor coil temp. T3 keeps higher than T2 for 10 seconds, the compressor and outdoor fan will shut off. When T3 is lower than T1, the compressor and outdoor fan will restart up.





Product improvement, specifications and appearance in this manual are subject to change without prior notice.